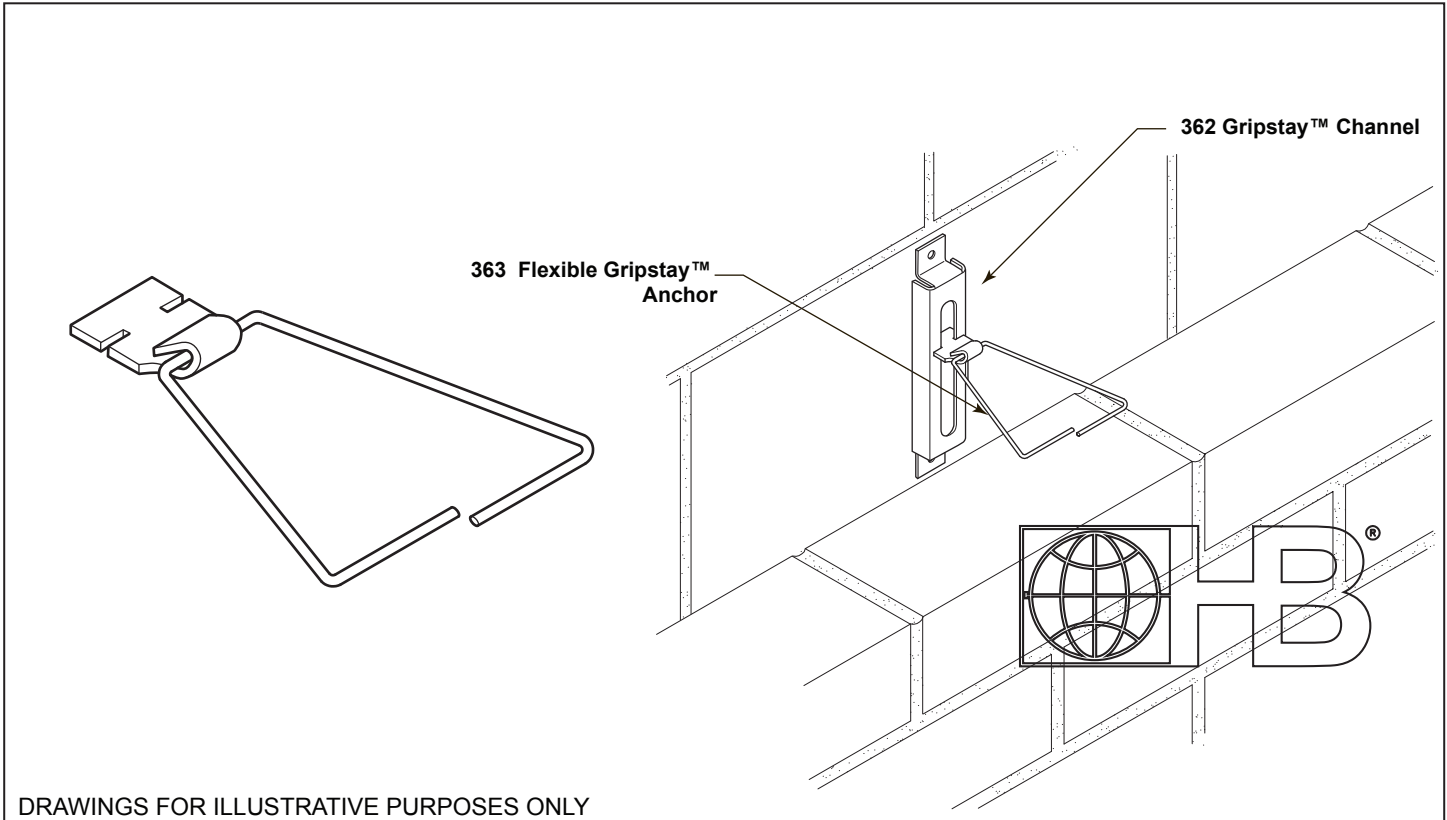


# Gripstay™ Anchors, Channels & Ties

## 363 - Flexible Gripstay™ Anchor



DRAWINGS FOR ILLUSTRATIVE PURPOSES ONLY

**363 Flexible Gripstay™ Anchor** permits horizontal and vertical movement of the masonry wall while restraining the wall from moving laterally out of plane.

#### MATERIAL CONFORMANCE

**Wire (Carbon Steel):** Prefabricated from cold-drawn steel wire conforming to **ASTM A1064/A1064M**

Tensile Strength - 80,000 p.s.i. | Yield Point - 70,000 p.s.i. minimum  
Zinc Coating:

Hot-Dip Galvanized: **ASTM A153/A153M Class B** (1.5 oz/ft<sup>2</sup>) (sheet metal ties and anchors galvanized after fabrication)

Note: Hohmann & Barnard will certify to a minimum of 2.0 oz/ft<sup>2</sup>

**Wire (Stainless Steel):**

ASTM A580/A580M - AISI Type 304 (Type 316 available on special order)

**Sheet Metal (Carbon Steel):**

ASTM A1008/A1008M

Zinc Coating:

Hot-Dip Galvanized: (refer to wire above)

Note: Hohmann & Barnard will certify to a minimum of 2.0 oz/ft<sup>2</sup>

**Sheet Metal (Stainless Steel):**

**ASTM A666, ASTM A480/ASTM A480M, and ASTM A240/A240M - AISI Type 304 or Type 316**

#### Finishes:

Hot-Dip Galv.      Stainless Steel:  Type 304     Type 316

**Note: Hohmann & Barnard recommends Stainless Steel for maximum protection against corrosion.**

#### Gripstay™ Head Thickness:

12 ga. Standard

#### Vee Byna-Tie® Length:

3"     3 ½"     4"     4 ½"     5"     Other \_\_\_\_\_

#### Vee Byna-Tie® Diameter

3/16"Ø Standard     1/4"Ø Heavyweight

**Vee Wall Tie portion manufactured from a minimum of 95% post-consumer recycled material.**

**IMPORTANT:** Since each construction project is unique, the appropriate selection and use of any product contained herein must be determined by competent architects, engineers and other appropriate professionals who are familiar with the specific requirements of the project in question.