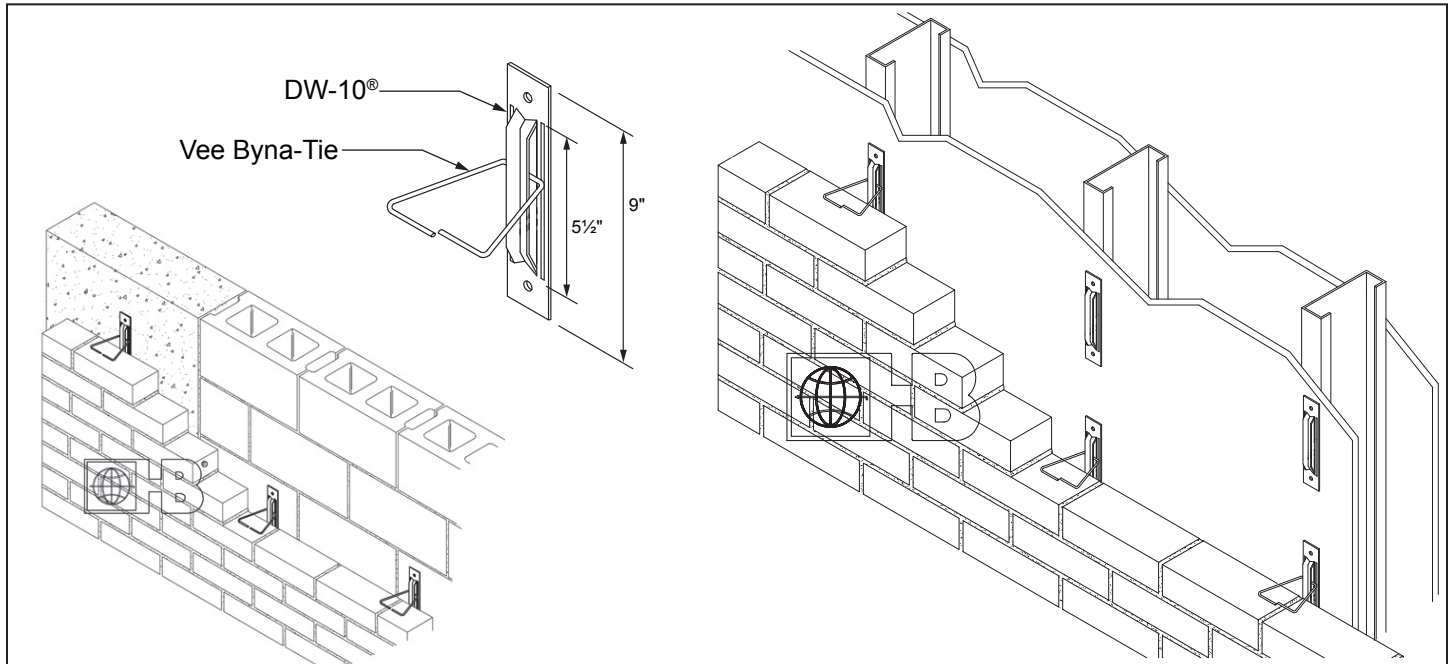


**HOHMANN & BARNARD, INC.**  
a MiTek company

# Veneer Anchors DW-10®



DRAWINGS FOR ILLUSTRATIVE PURPOSES ONLY

**H&B RECOMMENDS 16" X 16" SPACING**

**Description:**

The DW-10® anchor is for anchoring brick veneer to metal stud, masonry, concrete or wood backups when there is no insulation and little potential for wallboard deterioration.

**Wire (Carbon Steel):**

Cold-drawn steel wire conforming to **ASTM A1064/A1064M**:  
Tensile Strength - 80,000 p.s.i., Yield Point - 70,000 p.s.i. minimum  
Zinc Coating:  
Mill Galvanized: **ASTM A641/A641M** (0.1 oz/ft<sup>2</sup>) (0.1 oz/ft<sup>2</sup>)  
Hot-Dip Galvanized after fabrication: **ASTM A153/A153M-B2** (1.5 oz/ft<sup>2</sup>)

**Wire (Stainless Steel):**

**ASTM A580/A580M** - AISI Type 304 or Type 316

**Sheet Metal (Carbon Steel):**

**ASTM A1008/A1008M**  
Zinc coating:  
**ASTM A653/A653M** (0.6 oz/ft<sup>2</sup>) (Mill Galvanized)  
**ASTM A153/A153M-B2** Class B (sheet metal ties and anchors hot-dip galvanized after fabrication).

**Sheet Metal (Stainless Steel):**

**ASTM A 666, ASTM A480/480M, and ASTM A240/A240M**  
AISI Type 304 or 316

**NOTE: DW-10 should NOT be installed on top of insulation.**

**Dimensions:**

DW-10® is 9" long with 5 1/2" vertical adjustability and is furnished with 1/4" dia. holes. Available 14 ga. or 12 ga. thick.  
Vee Byna-Tie® is 3/16" or 1/4" diameter x 3", 3 1/2", 4", 4 1/2", 5" long.

**Finish:**

- Mill Galvanized
- Hot-Dip Galvanized
- Stainless Steel:  Type 304  Type 316

**Note: H&B recommends Stainless Steel for maximum protection against corrosion.**

**Anchor Thickness:**

- 14 gauge  12 gauge

**Vee Byna-Tie Ø:**

- 3/16"Ø Standard
- 1/4"Ø Heavyweight

**Vee Byna-Tie Length:**

- 3"  3 1/2"  4"  4 1/2"
- 5"  Other \_\_\_\_\_

**IMPORTANT:** Since each construction project is unique, the appropriate selection and use of any product contained herein must be determined by competent architects, engineers and other appropriate professionals who are familiar with the specific requirements of the project in question.

**HOHMANN & BARNARD, Inc.**  
CORPORATE HEADQUARTERS  
30 Rasons Court | Hauppauge, NY 11788  
T: 800.645.0616 F: 631.234.0683  
[www.h-b.com](http://www.h-b.com)

**Branch/Subsidiary Locations:**  
ALABAMA - ILLINOIS - MARYLAND  
NEW YORK - PENNSYLVANIA - TEXAS  
UTAH - CANADA

© HOHMANN & BARNARD, INC. - 2016