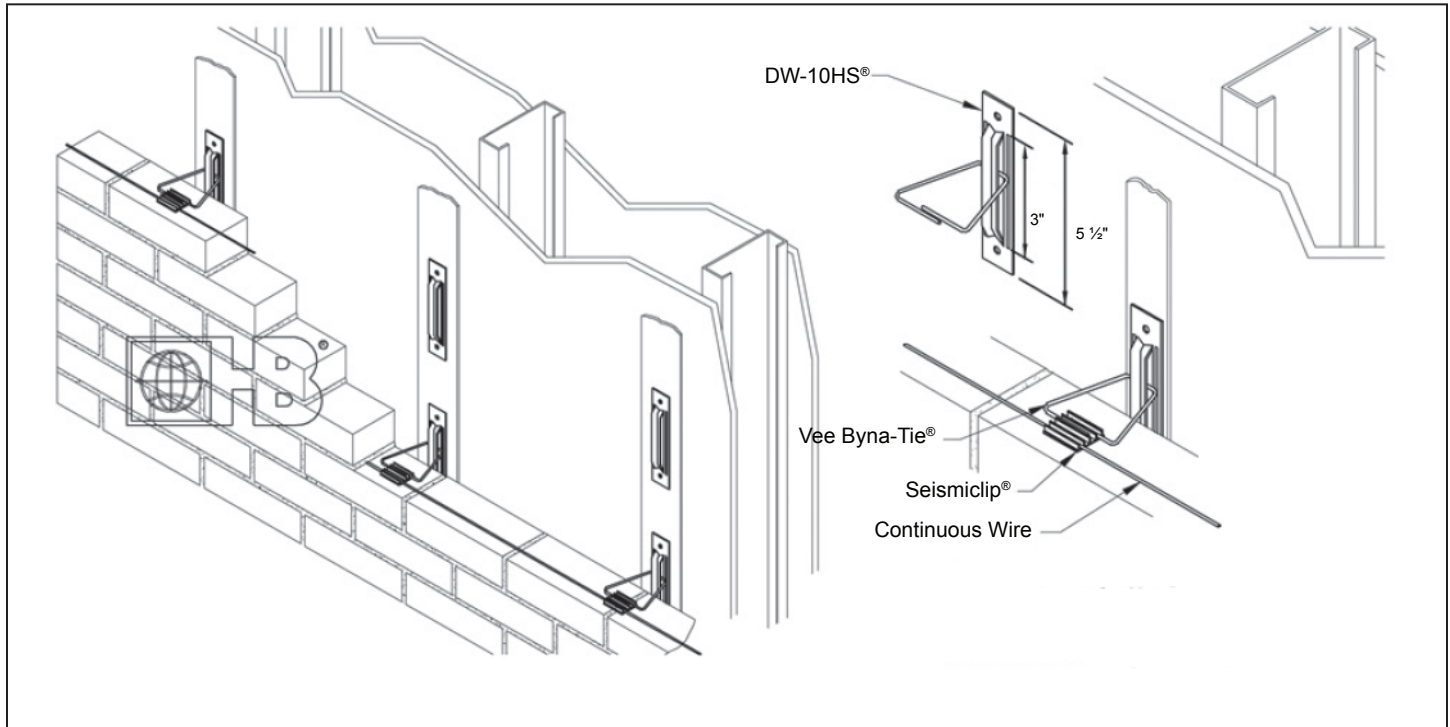


HOHMANN & BARNARD, INC.
a MiTek company

Seismic Anchors and Ties

DW-10HS®

w/Seismiclip® Interlock System



DRAWINGS FOR ILLUSTRATIVE PURPOSES ONLY

H&B RECOMMENDS 16" X 16" SPACING

Wire (Carbon Steel):

Cold-drawn steel wire conforming to **ASTM A1064/A1064M:**

Tensile Strength - 80,000 psi

Yield Point - 70,000 psi minimum

Zinc Coating:

Hot-Dip Galvanized after fabrication **ASTM A153/A153M-B2** (1.5 oz/ft²)

Note: Hohmann & Barnard will certify to a minimum of 2.0 oz/ft²

Wire (Stainless Steel):

ASTM A580/A580M - AISI Type 304 or Type 316

Sheet Metal (Carbon Steel):

ASTM A1008/A1008M

Zinc Coating: ASTM A153/A153M-B2 Class B (sheet metal ties and anchors hot-dip galvanized after fabrication).

Note: Hohmann & Barnard will certify to a minimum of 2.0 oz/ft²

Sheet Metal (Stainless Steel):

ASTM A666, ASTM A480/480M, and ASTM A240/A240M - (sheet metal ties and anchors) AISI Type 304 or Type 316

Seismiclip®: Impact-resistant, rigid polyvinyl chloride tested in conformance with: ASTM D1781 (Cell Classification), ASTM D2240 (Hardness Shore D), ASTM D638 (Tensile Yield & Modulus), ASTM D790 (Flexural Strength & Modulus)

NOTE: DW-10HS should NOT be installed on top of insulation.

Finishes:

Hot-Dip Galv. Stainless Steel: Type 304 Type 316

Note: Hohmann & Barnard recommends Stainless Steel for maximum protection against corrosion.

DW-10HS® Dimensions:

5 1/2" long, 3" vertical adjustability, 9/32"Ø holes, select thickness below.

DW-10HS® Thickness:

14 gauge 12 gauge

Vee Byna-Tie® Ø:

3/16"Ø (Standard) 1/4"Ø (Heavyweight)

Vee Byna-Tie® Length:

3" 3 1/2" 4"
 4 1/2" 5" Other _____

Continuous Wire:

9 gauge 3/16"Ø

X-Seal® Tape (Optional): Adhesive backed 3" x 75' rolls

IMPORTANT: Since each construction project is unique, the appropriate selection and use of any product contained herein must be determined by competent architects, engineers and other appropriate professionals who are familiar with the specific requirements of the project in question. This drawing and/or data sheet is the confidential and proprietary information of Hohmann & Barnard, Inc. and is not to be reproduced, copied or disclosed, in whole or in part, without the prior written consent of H&B.

HOHMANN & BARNARD, Inc.
CORPORATE HEADQUARTERS
30 Rasons Court | Hauppauge, NY 11788
T: 800.645.0616 F: 631.234.0683
www.h-b.com

Branch/Subsidiary Locations:
ALABAMA - ARIZONA - ILLINOIS
MARYLAND - NEW YORK
PENNSYLVANIA - TEXAS - UTAH
CANADA

© 2013-2017 MiTek®