

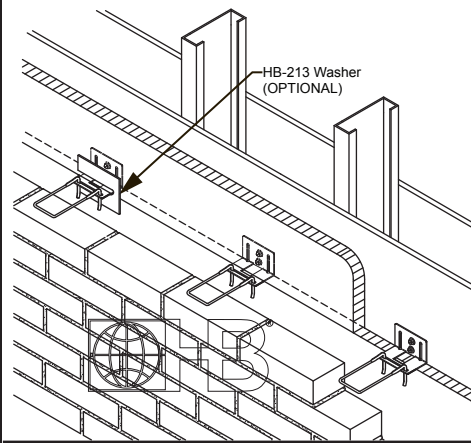


HOHMANN & BARNARD, INC.
a MiTek company

Veneer Anchor Plates

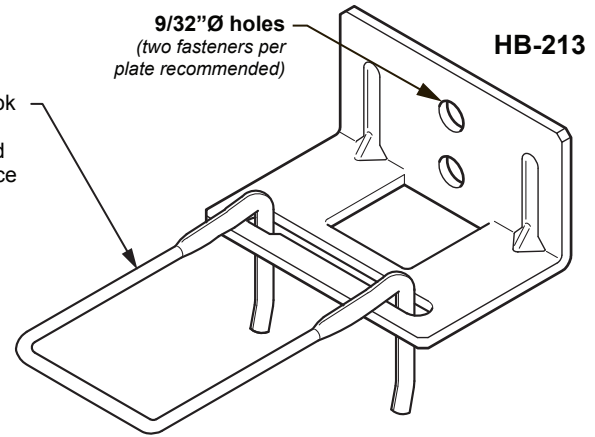
HB-213-2X

Adjustable Veneer Anchor



The embedded portion of the 2X-Hook is 3/16"Ø round wire, satisfying the code requirement that the mortar bed thickness (typically 3/8") must be twice the diameter of the wire.

NOTE: 2X-HOOK CAN BE INSTALLED WITH LEGS POINTING UP OR DOWN.



Hohmann & Barnard's 2X-Hook has been tested and designed to withstand over 200-lbf, in tension or compression, at maximum allowed offset (TMS 402/602-16 12.2.2.5.5.4) of 1/4" (disengagement of the pintle from the veneer anchor). These results exceed BIA recommendations and the capabilities of standard "round wire" hooks/pintles by over 100%, while maintaining the ASTM A1064/1064M wire specification.

HB-213 WITH 2X HOOKS (WORKING LOAD*)

CAVITY	0" OFFSET		5/8" OFFSET		1 1/4" OFFSET		TEST
	14 GA	12 GA	14 GA	12 GA	14 GA	12 GA	
4 1/2"	723#	1059#	382#	436#	260#	332#	TENSION
4 1/2"	1009#	1124#	402#	396#	267#	262#	COMPRESSION
7 1/2"	556#	928#	435#	399#	293#	320#	TENSION
7 1/2"	645#**	1128#	370#	300#	235#	251#	COMPRESSION

* WORKING LOAD DETERMINED AT .05" DEFLECTION

Tests were completed for 3" and 6" insulation with 1 1/2" air cavity.

** HB-213 backplate buckled before .05" deflection.

DRAWINGS FOR ILLUSTRATIVE PURPOSES ONLY

H&B RECOMMENDS 16" X 16" SPACING

MATERIAL CONFORMANCE

Wire (Carbon Steel):

Cold-drawn steel wire conforming to **ASTM A1064/A1064M**:

Tensile Strength - 80,000 psi | Yield Point - 70,000 psi minimum

Zinc Coating:

Hot-Dip Galvanized after fabrication: **ASTM A153/A153M-B2** (1.5 oz/ft²)

Wire (Stainless Steel):

ASTM A580/A580M - AISI Type 304 & Type 316

H&B manufactures steel wire products from a minimum of 95% recycled material.

Sheet Metal (Carbon Steel): **ASTM A1008/A1008M**

Zinc Coating: Hot-Dip Galvanized: (refer to wire above)

Sheet Metal (Stainless Steel):

ASTM A666, ASTM A480/480M, and ASTM A240/A240M

AISI Type 304 or 316

2X-HOOK: U.S. Pat. No. 8,613,175

NOTES:

- State overall wall size & cavity or insulation thickness when ordering
- Two fasteners per plate recommended
- Needs 3/4 inch (19mm) to 1 inch (25mm) minimum air cavity
- For attachment to concrete, block or brick see 523 Brass Expansion Bolt
- For wide cavity conditions refer to the HB-213-HS

HB-213 Anchor Backplate Finish:

- Hot-Dip Galvanized
 Stainless Steel - Type 304 Stainless Steel - Type 316

H&B recommends Stainless Steel for maximum protection against corrosion

HB-213 Backplate (Equal to thickness of insulation):

- 0" 1" 1 1/2" 2" 2 1/2" 3" 3 1/2"
 4" 4 1/2" 5" 5 1/2" 6"

Backplate Thickness:

- 14 ga. (1.9 mm) 12 ga. (2.7 mm)

3/16"Ø Compressed Leg Hook Length:

- 3" (300H-2X) 4" (400H-2X) 5" (500H-2X)
 6" (600H-2X) 7" (700H-2X)

- HB-213 Washer (Optional)**

IMPORTANT: Since each construction project is unique, the appropriate selection and use of any product contained herein must be determined by competent architects, engineers and other appropriate professionals who are familiar with the specific requirements of the project in question.

This drawing and/or data sheet is the confidential and proprietary information of Hohmann & Barnard, Inc. and is not to be reproduced, copied or disclosed, in whole or in part, without the prior written consent of H&B.

HOHMANN & BARNARD, Inc.
CORPORATE HEADQUARTERS
30 Rasons Court | Hauppauge, NY 11788
T: 800.645.0616 F: 631.234.0683
www.h-b.com

Branch/Subsidiary Locations:
ALABAMA - ARIZONA - ILLINOIS
MARYLAND - NEW YORK
PENNSYLVANIA - TEXAS - UTAH
CANADA

© 2013-2018 MiTek®