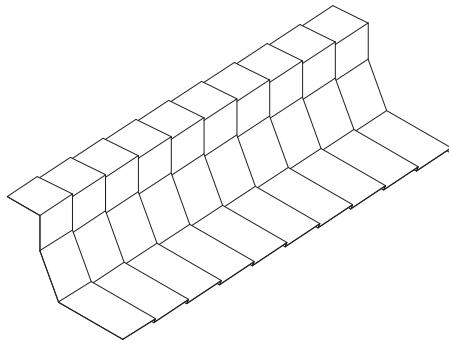
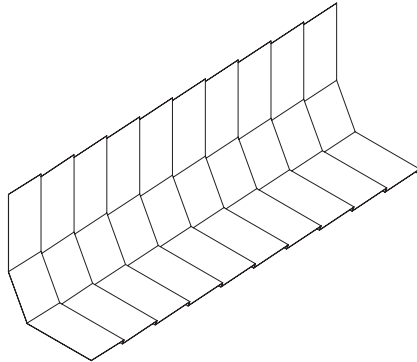




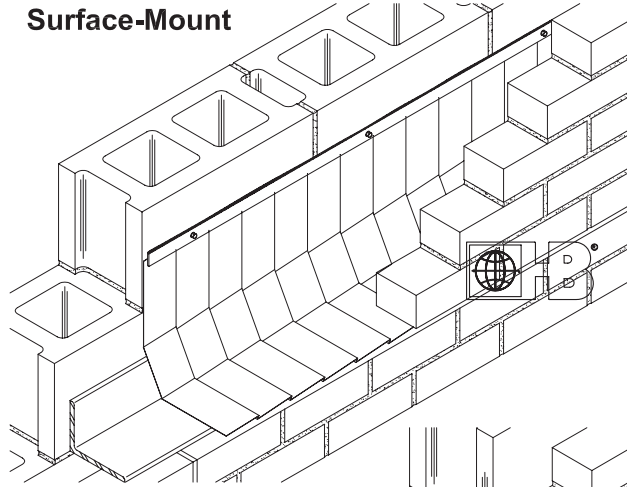
HOHMANN & BARNARD, INC.
A MiTek - BERKSHIRE HATHAWAY COMPANY

Flashing and Reglets

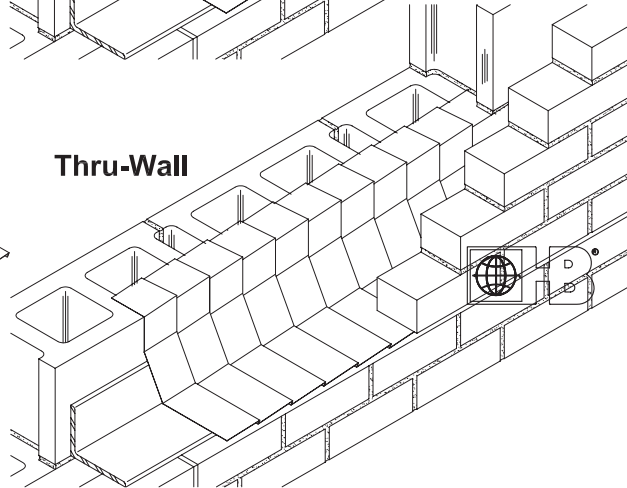
MFL-STF - Metal Sawtooth Flashing



Surface-Mount



Thru-Wall



DRAWINGS FOR ILLUSTRATIVE PURPOSES ONLY

STF Sawtooth Flashing

STF acts to bond in all directions. Can be manufactured for parapet/coping applications, or bent for relief angle applications.

Material:

Stainless Steel Type 304: ASTM A240/A240M, ASTM A666, ASTM A480/A480M, ASTM A167

Copper: ASTM B370 - #110 Alloy

Lead-coated copper: ASTM B101 - #110 Alloy

Hohmann & Barnard manufactures MFL Metal Flashing according to dimensions supplied by the customer. Please state dimensions when ordering, or submit sketch.

*** Please refer to Hohmann & Barnard installation instructions for more information.**

Material:

- Type 304 Stainless Steel 26 gauge standard
- Type 304 Stainless Steel ____ gauge (state gauge)
- Copper 16 ounce
- Copper 12 ounce
- Lead-Coated Copper 16 ounce
- Lead-Coated Copper 12 ounce

Optional:

- Inside Corner Piece (Surface-Mount)
- Inside Corner Piece (Thru-Wall)
- Outside Corner Piece (Surface-Mount)
- Outside Corner Piece (Thru-Wall)
- End Dam (State dimensions when ordering)
- ST - Splice Tape

HOHMANN & BARNARD, Inc.
30 Rasons Court | Hauppauge, NY 11788
CORPORATE HEADQUARTERS
T: 800.645.0616 F: 631.234.0683
www.h-b.com

Branch/Subsidiary Locations:
ALABAMA - ILLINOIS - MARYLAND
NEW YORK - PENNSYLVANIA - TEXAS
CANADA

© HOHMANN & BARNARD, INC. - 2013