

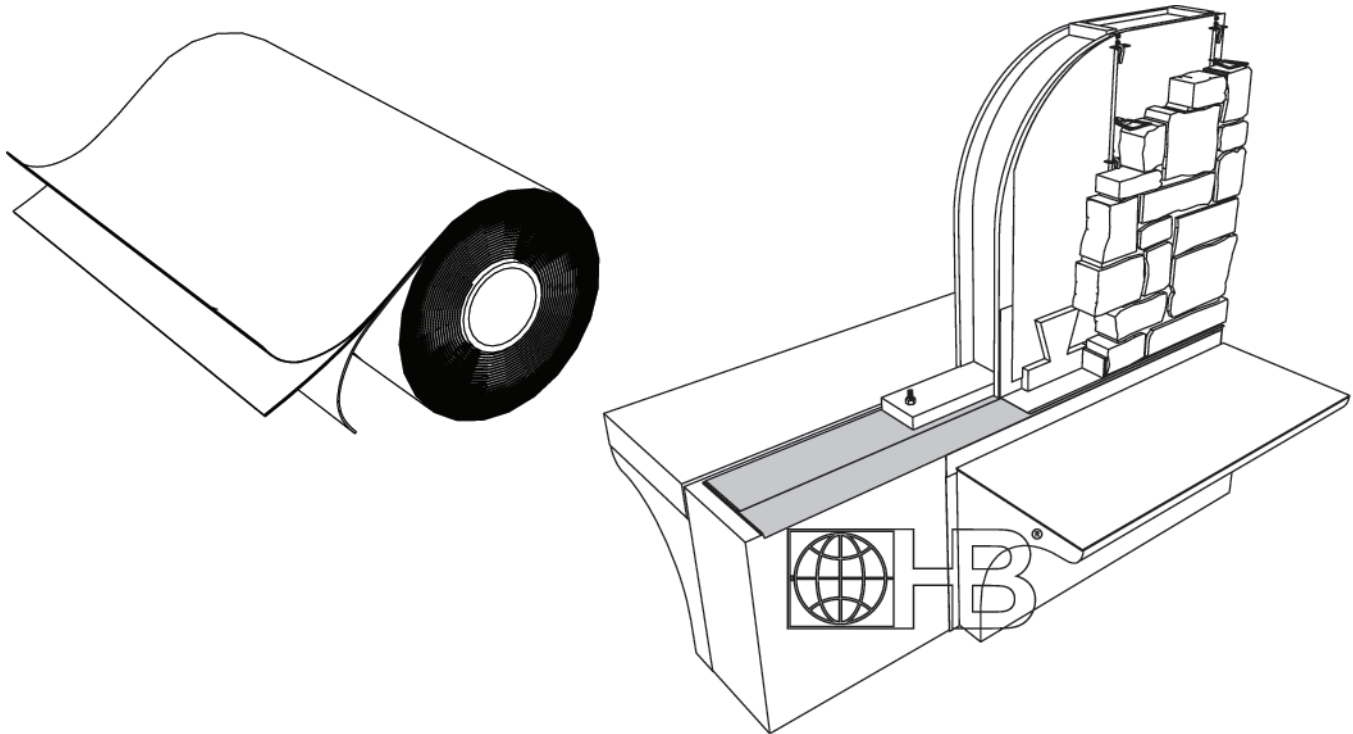


HOHMANN & BARNARD, INC.
A MiTek - BERKSHIRE HATHAWAY COMPANY

Residential Products

Mite-Out™

Copper Termite Shield with Sill Seal



H&B Mite-Out™

Copper Termite Shield with Sill Seal

H&B's Mite-Out™ is a sheet of soft-tempered copper that is permanently coated on one side with a polyethylene membrane and foam sill seal. Copper flashing has long been used in masonry construction due to its pliability and nonreaction to any alkalais or acids that may be found in mortar.

U.S. Pat. No. 7,603,816. Other Patents Pending

- Compatible with ACQ and all other treatments for pressure treated lumber.
- Asphalt-free adhesive will not stain concrete, vinyl or wood.
- Compatible with all adhesives, caulks and sealants.
- Available in 8", 10" or 12" wide.
- 50' long roll.

Eco-Friendly alternative to using chemical pesticide treatments.

Roll Width: (rolls are 50 ft. long)

- 8" 10" 12"

Technical Data

Closed Cell Non-Crosslinked Polyethylene Foam

- Tensile Strength - **ASTM D3575, ASTM D412**
Machine Direction 41 psi
Cross Direction 37 psi
- Elongation - **ASTM D3575, ASTM D412**
Machine Direction 210 psi
Cross Direction 185 psi

Copper Foil

- Tensile - 20.10 KG/mm²

Polyethylene Film

- Tensile Strength MD 3,335 psi
 TD 3,640 psi
- Ultimate Elongation MD 710%
 TD 850%

HOHMANN & BARNARD, Inc.
30 Rasons Court | Hauppauge, NY 11788
CORPORATE HEADQUARTERS
T: 800.645.0616 F: 631.234.0683
www.h-b.com

Branch/Subsidiary Locations:
ALABAMA - ILLINOIS - MARYLAND
NEW YORK - PENNSYLVANIA - TEXAS
CANADA

© HOHMANN & BARNARD, INC. - 2012