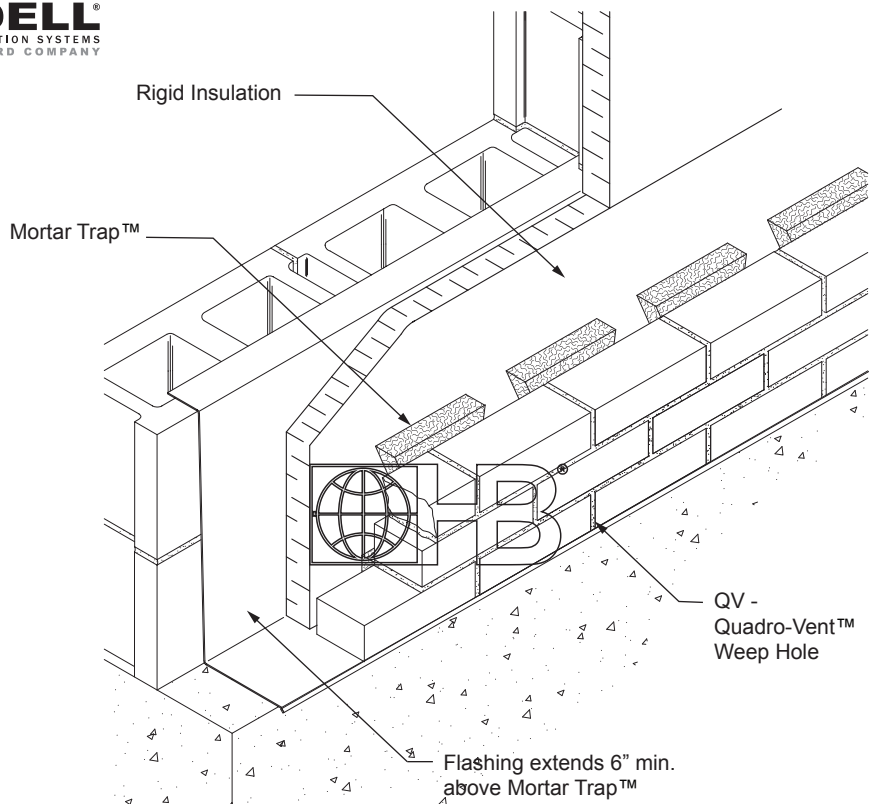




**HOHMANN & BARNARD, INC.**  
A MiTek - BERKSHIRE HATHAWAY COMPANY

# Mortar Collection Systems

## Mortar Trap™



DRAWINGS FOR ILLUSTRATIVE PURPOSES ONLY

### Mortar Trap™

Mortar Trap™ is manufactured from high-density polyethylene (HDPE) strands woven into a 90% open mesh. Its unique shape breaks up mortar droppings and prohibits mortar from creating a moisture retaining barrier, allowing water to flow freely to the weep holes.

#### Features:

- 90% open mesh construction allows unobstructed passage of air & water through the material itself so walls breathe, drain & dry quicker.
- Will not react with common building products (PVC, polystyrene, copper, rubberized-asphalt, lead, stainless steel or galvanized metal).
- Will not: absorb or trap moisture, support mold or fungus, and is inedible to insects.
- Will not degrade as a result of temperature variations and is designed to last for the life of the building.
- Keeps weep holes open - catches and permanently suspends mortar-droppings so blockage can't occur.
- Fast, easy installation by masons - does not require fasteners or adhesives, no special skills or tools.
- Slightly compressible to allow for cavity variations in the field.

**Thickness:** (Mortar Trap™ is 10" high x 4' long)

- 1"
- 1 ½"
- 2"

**NOTE: When Mortar Trap™ is used with the Quadro-Vent™ Weep Hole additional insect screening is not required.**

**HOHMANN & BARNARD, Inc.**  
30 Rasons Court | Hauppauge, NY 11788  
CORPORATE HEADQUARTERS  
T: 800.645.0616 F: 631.234.0683  
[www.h-b.com](http://www.h-b.com)

**Branch/Subsidiary Locations:**  
ALABAMA - ILLINOIS - MARYLAND  
NEW YORK - PENNSYLVANIA - TEXAS  
CANADA

© HOHMANN & BARNARD, INC. - 2012