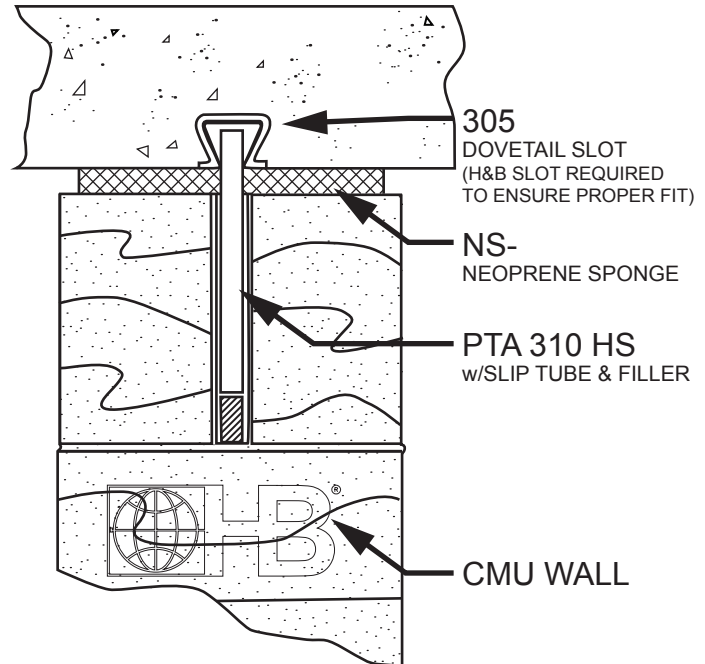


HOHMANN & BARNARD, INC.
a MiTek company

PTA Series Partition Top Anchors PTA 310 HS (High Strength)

- Larger diameter rod for higher working loads and resistance to larger positive/negative lateral forces.
- 1/4" thick head insures anchor is engaged perpendicular to the dovetail slot, not free to rotate and disengage.
- Integral welded rod to head design removes the rotation of the anchor in the expansion joint, and transfers loads directly to concrete and dovetail slot
- Fully welded on both sides of dovetail head, not spot welded.
- Dovetail head is keyed to receive 5/8" diameter rod (not welded to the side of the head) for symmetrical, not asymmetrical, loading.



DRAWINGS FOR ILLUSTRATIVE PURPOSES ONLY

PTA 310 HS - PTA Series Partition Top Anchors have been developed to provide lateral shear resistance at the upper limit of masonry walls. They permit vertical deflection of the slab above, without transferring compressive loads to the masonry wall below. PTA 310 HS Anchors are suitable for cast in place or post tensioned concrete construction. PTA Tube with expansion filler is placed over rod anchor, which has been engaged in the H&B 305 Dovetail Slot by the methods illustrated. The vertical joint is then filled with mortar or grouted solid, fully surrounding the tube.

- Dimensions: 5/8" rod with 1/4" thick dovetail head. Other diameters and gauges available.
- PTA 310 HS must be used in conjunction with H&B's 305 Dovetail Slot to ensure proper fit.

U.S. Patent No. 8,978,326
Canadian Patent No. 2,845,330

Sheet Metal (Carbon Steel):
ASTM A1008/A1008M/A (Cold-rolled)
ASTM A1011/A1011M (Hot-rolled, pickled and oiled)

Finishes - Sheet metal (Carbon-Steel):
Hot-Dip Galvanized - ASTM A153/A153M-B2 class B (sheet metal ties and anchors hot-dip galvanized after fabrication).
Note: Hohmann & Barnard will certify to a minimum zinc coating of 2.0 oz./ft.²

Sheet Metal (Stainless Steel):
ASTM A 666, ASTM A480/480M, and ASTM A240/A240M
AISI Type 304 or 316
Note: H&B recommends Stainless Steel for maximum protection against corrosion.

Rod:

Zinc Plated - ASTM A108, ASTM A36/A36M, ASTM B633
Hot-Dip Galvanized - ASTM A153/A153M-B2
Stainless Steel Type 304 or Type 316 - ASTM A276/A276M

PTA Tube:

Manufactured from impact-resistant rigid polyvinyl chloride, tested in conformance with: ASTM D1781 (Cell Classification), ASTM D2240 (Hardness Shore D), ASTM D638 (Tensile Yield & Modulus), ASTM D790 (Flexural Strength & Modulus)

Finishes:

- Hot-Dip Galvanized
- Stainless Steel (TYPE 304)
- Stainless Steel (TYPE 316)

Note: H&B recommends Stainless Steel for maximum protection against corrosion.

Note: NS Neoprene sponge also available. Submittal sheet available for download from h-b.com or upon request.

IMPORTANT: Since each construction project is unique, the appropriate selection and use of any product contained herein must be determined by competent architects, engineers and other appropriate professionals who are familiar with the specific requirements of the project in question. This drawing and/or data sheet is the confidential and proprietary information of Hohmann & Barnard, Inc. and is not to be reproduced, copied or disclosed, in whole or in part, without the prior written consent of H&B.

HOHMANN & BARNARD, Inc.
CORPORATE HEADQUARTERS
30 Rasons Court | Hauppauge, NY 11788
T: 800.645.0616 F: 631.234.0683
www.h-b.com

Branch/Subsidiary Locations:
ALABAMA - ARIZONA - ILLINOIS
MARYLAND - NEW YORK
PENNSYLVANIA - TEXAS - UTAH
CANADA

© 2013-2017 MiTek®