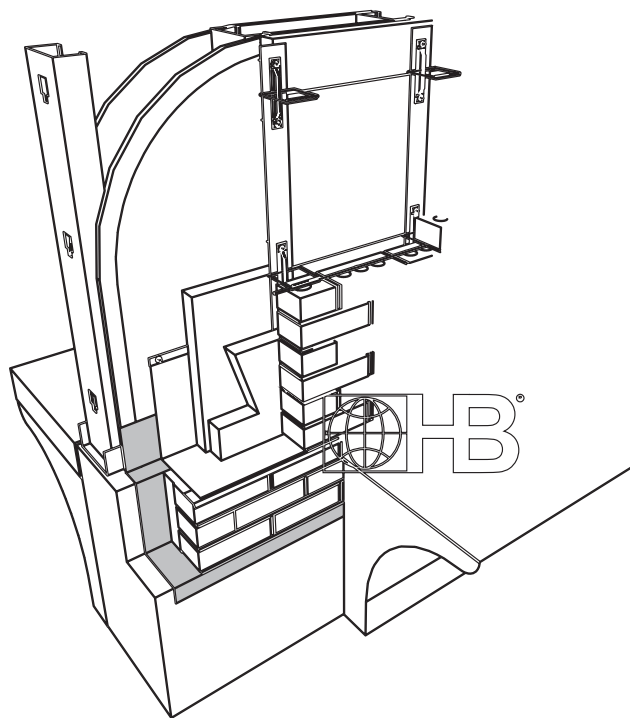
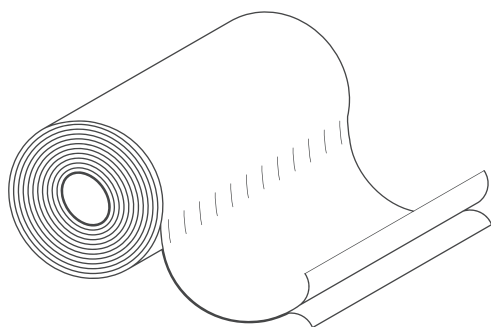




HOHMANN & BARNARD, INC.

## Flashing and Reglets

# X-Seal™ Transition Membrane



DRAWINGS FOR ILLUSTRATIVE PURPOSES ONLY

### X-Seal™ Membrane

for ENVIRO-BARRIER™, ENVIRO-BARRIER™ VP, and ENVIRO-BARRIER™ SILICONE

Used to form a smooth transition from one plane to another when using ENVIRO-BARRIER™ Air and Vapor Barrier, ENVIRO-BARRIER™ VP Vapor Permeable Air and Vapor Barri, and ENVIRO-BARRIER™ SILICONE. Use as a transition material under ENVIRO-BARRIER™ Liquid where different substrates meet, or at beams, columns, and similar joints or connections to provide continuity.

- Reinforced polyolefin base, laminated to a polypropylene layer
- Adhesive-backed with removable release liner
- Available in widths from 3" - 72", other widths available upon request
- 75' long rolls

Patents Pending

Manufactured from 45% post-industrial and/or post-consumer recycled material.

\* Please refer to Hohmann & Barnard installation instructions for more information.

### Technical Data

- Tensile Strength - **ASTM D751-95**  
Machine Direction (Force) 130lbs  
Cross Direction (Force) 124 lbs
- Trapezoidal Tear Strength - **ASTM D4533-91**  
Machine Direction (Force) 46 lbs  
Cross Direction (Force) 44 lbs
- Mullen Burst - **ASTM D751-95** 180 psi
- UV Exposure (2000 hours) - **ASTM G154-98** >90%
- Permeability  
MVTR - **ASTM E96 - B** <0.075 Perms<sup>1</sup>  
Air permeability - **TAPP-460** >5000 Sec/100cc

Widths: (Rolls are 75ft. long)

- |                              |                              |                                      |                              |
|------------------------------|------------------------------|--------------------------------------|------------------------------|
| <input type="checkbox"/> 3"  | <input type="checkbox"/> 4"  | <input type="checkbox"/> 6"          | <input type="checkbox"/> 12" |
| <input type="checkbox"/> 18" | <input type="checkbox"/> 24" | <input type="checkbox"/> 36"         | <input type="checkbox"/> 48" |
| <input type="checkbox"/> 60" | <input type="checkbox"/> 72" | <input type="checkbox"/> Other _____ |                              |

<sup>1</sup>Grains/h/ft<sup>2</sup>/in Hg (perms)

**IMPORTANT:** Since each construction project is unique, the appropriate selection and use of any product contained herein must be determined by competent architects, engineers and other appropriate professionals who are familiar with the specific requirements of the project in question. This drawing and/or data sheet is the confidential and proprietary information of Hohmann & Barnard, Inc. and is not to be reproduced, copied or disclosed, in whole or in part, without the prior written consent of H&B.