

# 44 SoundBarrier®

International Building Code (IBC) Calls for minimum Sound Transmission Class (STC) and Insulation Impact Class (IIC) Ratings of 50

UL®-listed wall and floor assemblies • ICC-ES ESR-1374

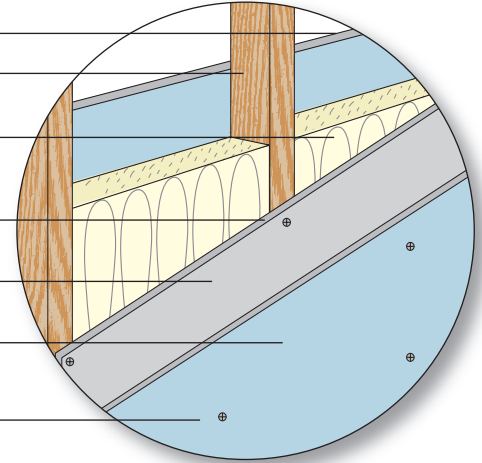
## Less Material, Less Labor, Better Results!

Superior Sound Control For Both  
Metal and Wood Stud Walls In:

- Multi-family residential
- Hospitals
- Dormitories
- Hotels
- Home theatres

### STC 53

- 5/8" Type C gypsum wallboard
- 2" x 4" wood studs spaced 16" O.C.
- 3" Mineral Wool Insulation (STC 52 with 3-1/2" Fiberglass)
- #6 coarse thread Drywall screw into the stud
- 1/2" 440 SoundBarrier® is attached to 1-side only
- 5/8" Type C gypsum wallboard "decoupled" and attached to 1/2" 440 SoundBarrier® only; not to studs.
- #10 1-1/2" Laminating Screws (rock to rock screws)

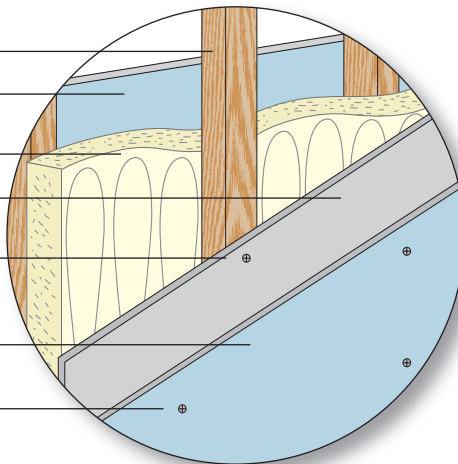


U305

24" O.C. U309

### STC 53

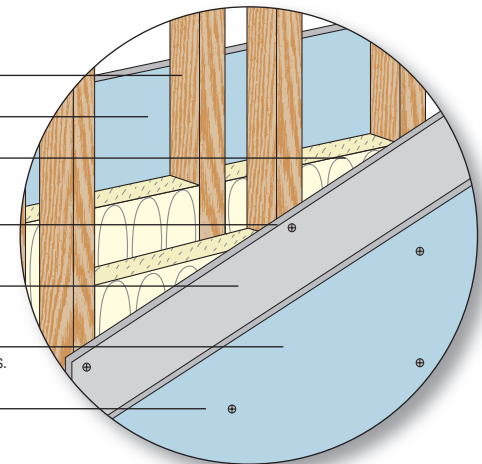
- 2" x 4" staggered wood studs spaced 24" O.C.
- 5/8" Type C gypsum wallboard
- 3-1/2" Fiberglass Insulation
- 1/2" 440 SoundBarrier® is attached to 1-side only
- #6 coarse thread Drywall screw into the stud
- 5/8" Type C gypsum wallboard "decoupled" and attached to 1/2" 440 SoundBarrier® only; not to studs.
- #10 1-1/2" Laminating Screws (rock to rock screws)



U340

### STC 60

- 2" x 4" double wood studs spaced 16" O.C.
- 5/8" Type X gypsum wallboard
- 3" Mineral Wool
- #6 coarse thread Drywall screw into the stud
- 1/2" 440 SoundBarrier® is attached to 1-side only
- 5/8" Type X gypsum wallboard "decoupled" and attached to 1/2" 440 SoundBarrier® only; not to studs.
- #10 1-1/2" Laminating Screws (rock to rock screws)



U341

BEARING WALL

**HOMASOTE®**

Sensible. Sound. Solutions.

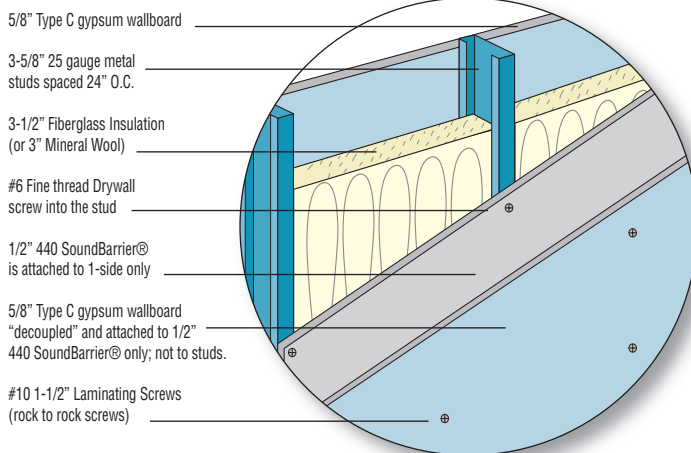


The mark of responsible forestry

www.homasote.com

# 440 SoundBarrier®

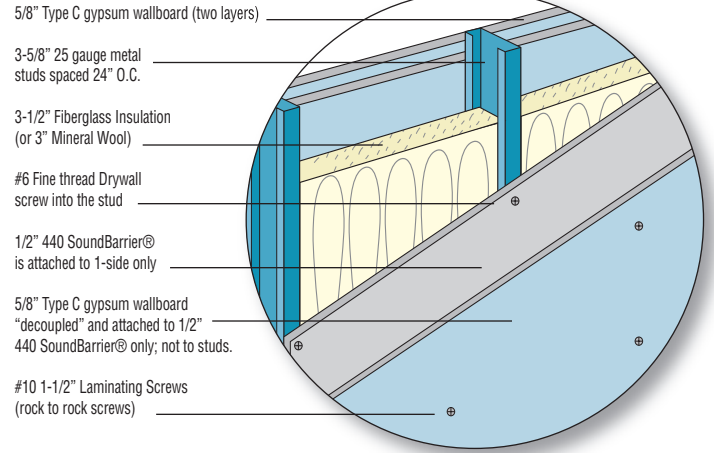
## STC 55



**U465**

**STC 54 16" O.C.**

## STC 58



**U465**

**Superior Sound Control ratings in both 16" and 24" on center walls. 440 SoundBarrier has one of the lowest installed costs in its class; ideal for renovation work because it requires access to only one-side of wall.**

The need for Sound Control in multi-family residential and commercial construction is growing.

- According to the American Institute of Architects (AIA), litigation over inadequate sound mitigation is the number two driver of construction lawsuits.
- Noise is the number one complaint of Hotel Guests according to a 2011 JD Power and Associates Survey.

**440 SoundBarrier® is One Conventional, High-Performance, Green Product That Lasts in Walls, Floors and Ceilings.**

Contractors can pull and install the same board for multiple applications in the same space for maximum efficiency.

### 1/2 Inch Panels:

- Strong and Lightweight (1.2 lbs. per sq. ft.)
- Easily Installed
- Moisture and mold-resistant
- Thermally Insulating
- 98% Recycled Content (High Post-Consumer)

*See Installation Section of Website for Construction Details*

**HOMASOTE®**

**Sensible. Sound. Solutions.**

800-257-9491 • Technical Support call Ext. 1332 or e-mail [techhelp@homasote.com](mailto:techhelp@homasote.com)

[www.homasote.com](http://www.homasote.com)