



GoldSeam is a self-adhering, modified-asphalt, roof-sealing tape.

FEATURES AND BENEFITS

- ✓ FILM-SURFACED SELF-ADHERING STRIP
- ✓ POLYMER-MODIFIED ASPHALT
- ✓ EXTRA ROOF DECK PROTECTION AT DECK JOINTS

GENERAL INFORMATION

ROLLS/BOX	1
ROLLS/PALLET	150
PALLET SIZE	52 x 44 in. (132 x 112 cm)
PRODUCT STOCK NO.	7910075

PRODUCT DIMENSIONS

LENGTH	66.7 linear ft. (20.32 linear m)
WIDTH	4.25 in. (108 mm)
THICKNESS	39 mils (1 mm)

Product dimensions shown are subject to normal manufacturing tolerances of +/- 0.5 ft. (0.15 m) on the sheet's length and +/- 1/8 in. (3 mm) on width.



SELF-ADHERING, ROOF SEALING TAPE

Leading industry experts have identified the gap between the fascia and the roof deck as the most vulnerable area of the roof. It's the primary site of ice damming, moisture and rot issues, and water infiltration, and a main entry point for insect and rodent infestation. IKO GoldSeam is an advanced multifunction tape that effectively seals that gap and protects other areas susceptible to such potential problems, such as around flashings and roof penetrations. It is self-sealing around roofing nails for enhanced leak protection.

Click [here](#) or scan this QR code for product literature, color swatches and color availability.





APPLICABLE STANDARDS¹

ASTM D1970 Product Standard

CSA A123.22 Product Standard (Canada)

Florida Building Code High-Velocity Hurricane Zone (HVHZ) Approval² [here](#)

Texas Department of Insurance Details [here](#)

NOTE: IKO GoldSeam meets or exceeds the requirements in the product standards referenced at the time of manufacture, including adhesion to plywood, tensile strength, cold flex and minimum tear-strength resistance.

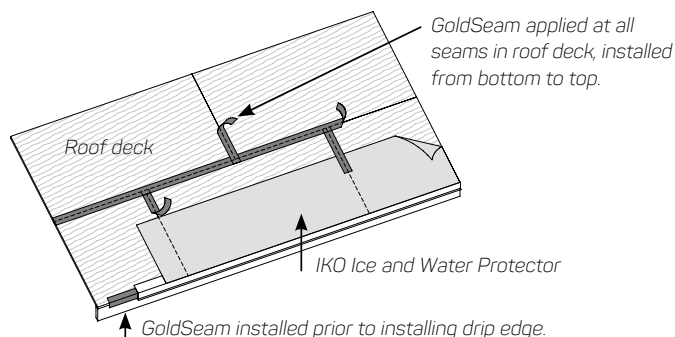
SAFETY INFORMATION

CAUTION: Working at heights on sloped-roof surfaces can be dangerous. Do not install until all appropriate safety precautions are followed. Always wear appropriate personal protective equipment (PPE), including appropriate fall protection equipment.

This product's Safety Data Sheet (SDS) is available [here](#).



INSTALLATION



Roof sealing tape must be installed according to all of IKO's application instructions. Some select installation highlighted requirements are here:

1. The space beneath the roof deck (e.g., attic) should be thoroughly ventilated to minimum local building code requirements.
2. In keeping with good roofing practice, apply GoldSeam when the substrate is dry, and the air temperature is between 45°F and 120°F (7°C and 49°C).
3. To seal gaps at eaves, apply IKO GoldSeam roof sealing tape on the edge of the eaves, wrapping it down over the fascia to cover any gap between the deck and the fascia.
4. To seal roof deck joints, apply IKO GoldSeam roof sealing tape, starting from low to high point of roof in shingle fashion so that laps overlap to shed water. Center tape over roof deck joints or seams. Peel off 6 to 12 inches of release film from one end and begin applying with firm, uniform pressure over entire surface of the tape. Allow 4 to 6 inches of overlaps between pieces of tape.
5. To ensure adhesion to the substrate, a hand roller is recommended. If adhesion to substrate is still found to be marginal, a primer shall be used to ensure optimal adhesion.

Complete product installation details can be found [here](#).



The information on this Technical Data Sheet is based upon data considered to be true and accurate at time of issue, based on laboratory tests and production measurements, and is offered solely for the user's consideration, investigation and verification. Nothing contained herein is representative of a warranty or guarantee for which the manufacturer can be held legally responsible. The manufacturer does not assume any responsibility for any misrepresentation or assumptions the reader may formulate. To confirm the most current product technical information and compliances, please contact IKO directly at: **United States 1-888-IKO-ROOF (1-888-456-7663); Canada 1-855-IKO-ROOF (1-855-456-7663).**

¹Compliance with listed product standards is based on sampling and testing of products as manufactured. ²FBC HVHZ approvals apply only to products available in the southeast U.S. market. For more information, please contact IKO at: **1-888-IKO-ROOF (1-888-456-7663).**