

INSTALLATION GUIDE FOR FLOOR AND ROOF FRAMING

TJI® 110
TJI® 210
TJI® 230
TJI® 360
TJI® 560
Joists



WARNING:
DO NOT walk on joists until braced. **INJURY MAY RESULT.**



WARNING:
DO NOT walk on joists that are lying flat.



WARNING:
DO NOT stack building materials on unshathed joists. Stack only over beams or walls.

November 2025 • Reorder TJ-9001

IMPORTANT: PLEASE READ CAREFULLY!

WARNING: JOISTS ARE UNSTABLE UNTIL BRACED Laterally

BRACING INCLUDES: Blocking, Hangers, Rim Board, Sheathing, Rim Joist, Strut Lines

Lack of proper bracing during construction can result in serious accidents. Observe the following guidelines:

1. Properly install all blocking, hangers, rim boards, and rim joists at TJI® joist end supports.
2. Establish a permanent deck (sheathing), fastened to the first 4 feet of joists at the end of the bay or braced end wall.
3. Safety bracing of 1x4 (minimum) must be nailed to a braced end wall or sheathed area and to each joist.
4. Sheathing must be completely attached to each TJI® joist before additional loads can be placed on the system.
5. Ends of cantilevers require safety bracing on both the top and bottom flanges.
6. The flanges must remain straight within ½" from true alignment.

This guide is intended for the products shown in dry-use conditions.

La Sécurité Avant Tout
AVERTISSEMENT
Lire Attentivement

- Les solives non contreventées latéralement sont instables. Voir le guide d'installation **avant** la pose des solives TJI®.
- Ne pas circuler sur les solives TJI® **avant** qu'elles ne soient adéquatement contreventées. Risque de blessure.
- Ne pas empiler des matériaux sur des solives avant d'avoir installé les sous-plancher. Les entreposer temporairement au-dessus des poutres et murs.

La Seguridad Ante Todo
ADVERTENCIA
Por Favor Lea Cuidadosamente

- Las viguetas son inestables hasta que sean reforzadas lateralmente. Vea la guía de instalaciones **antes** de instalar las viguetas TJI®.
- No camine sobre las viguetas hasta que sean apuntaladas.
- No ponga materiales de construcción sobre las viguetas TJI® antes de instalar el triplay. Ponga materiales únicamente sobre vigas o muros.

FLOOR

Allowable Holes:
 Trus Joist® TJI® Joists 1
 Filler and Backer Blocks 2
 Fastening of Floor Panels 2
 Installation Recommendations 2
 TJI® Joist Floor Framing 3
 TJI® Joist Nailing
 Requirements at Bearing 3
 Rim Board Details and Installation 4
 Floor Details 4-5
 Web Stiffeners 5
 Cantilever Details 5
 Framing Connectors 8

ROOF AND WALL

Web Stiffeners 5
 Typical Roof and Wall Framing 6
 Ceiling Joists 6
 Filler and Backer Blocks 6
 Shear Blocking and Ventilation Holes 6
 Roof Details 7
 TJI® Joist Nailing
 Requirements at Bearing 7
 Framing Connectors 8
 Allowable Holes: Trus Joist®
 TimberStrand® LSL Wall Studs 8

BEAM AND COLUMN

Allowable Holes:
 Trus Joist® TimberStrand® LSL,
 Parallam® PSL, Microllam® LVL
 Headers and Beams 8
 Beam and Column Details 9
 Beam and Header Bearings 9

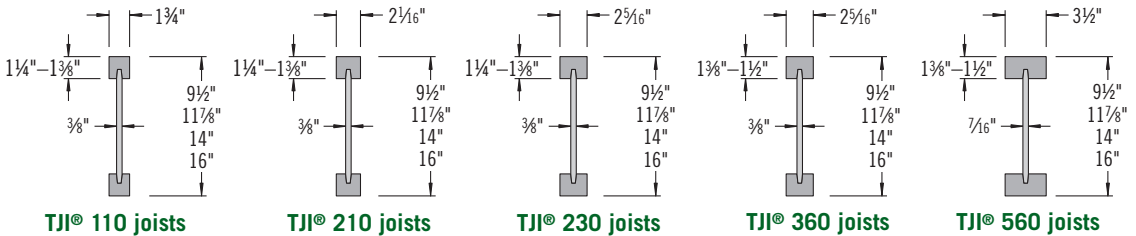
BUILD SAFELY

We at Weyerhaeuser are committed to working safely and want to remind you to do the same. We encourage you to follow the recommendations of OSHA (www.osha.gov) in the U.S. or provincial regulations (laws.justice.gc.ca/eng/regulations/) in Canada regarding:

- Personal protective equipment (PPE) for hands, feet, head, and eyes
- Fall protection
- Use of pneumatic nailers and other hand tools
- Forklift safety

Please adhere to the Weyerhaeuser product installation details, including the installation of safety bracing on unsheathed floors and roofs.

PRODUCT IDENTIFICATION



Some TJI® joist sizes may not be available in your region. Contact your Weyerhaeuser representative for more information.

ALLOWABLE HOLES—TJI® JOISTS

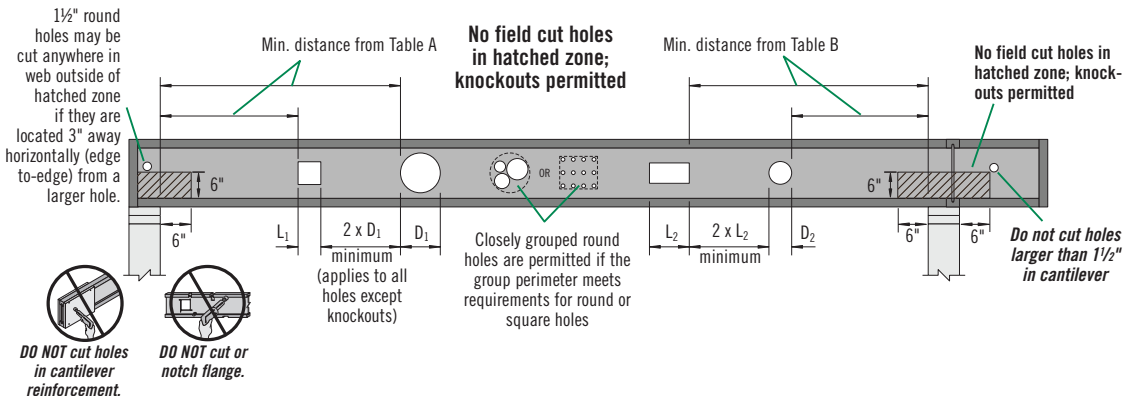


Table A—End Support: Minimum distance from edge of hole to inside face of nearest end support

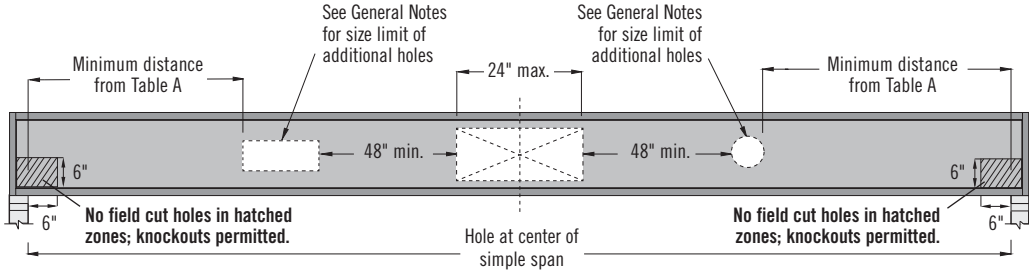
Joist Depth	TJI®	Round Hole Size							Square or Rectangular Hole Size						
		2"	3"	4"	6½"	8½"	11"	13"	2"	3"	4"	6½"	8½"	11"	13"
9½"	110	1'-0"	1'-6"	2'-0"	5'-0"				1'-0"	1'-6"	2'-6"	4'-6"			
	210	1'-0"	1'-6"	2'-6"	5'-6"				1'-0"	2'-0"	2'-6"	5'-0"			
	230	1'-6"	2'-0"	2'-6"	5'-6"				1'-0"	2'-0"	3'-0"	5'-0"			
	360	1'-6"	2'-0"	3'-0"	6'-0"				1'-6"	2'-6"	3'-6"	5'-6"			
	560	1'-6"	2'-6"	3'-6"	7'-0"				2'-0"	3'-0"	4'-0"	6'-0"			
11½"	110	1'-0"	1'-0"	1'-6"	2'-6"	5'-6"			1'-0"	1'-6"	2'-0"	4'-6"	6'-0"		
	210	1'-0"	1'-6"	2'-0"	3'-0"	6'-0"			1'-0"	1'-6"	2'-6"	5'-0"	6'-6"		
	230	1'-0"	1'-6"	2'-0"	3'-0"	6'-6"			1'-0"	2'-0"	2'-6"	5'-6"	7'-0"		
	360	1'-6"	2'-0"	3'-0"	4'-6"	7'-0"			1'-6"	2'-6"	3'-6"	6'-6"	7'-6"		
	560	1'-6"	2'-6"	3'-0"	5'-6"	8'-0"			2'-6"	3'-6"	4'-6"	7'-0"	8'-0"		
14"	110	1'-0"	1'-0"	1'-0"	1'-6"	3'-0"	5'-6"		1'-0"	1'-0"	1'-6"	3'-6"	6'-0"	8'-0"	
	210	1'-0"	1'-0"	1'-0"	2'-0"	3'-6"	6'-0"		1'-0"	1'-0"	2'-0"	4'-0"	6'-6"	8'-6"	
	230	1'-0"	1'-0"	1'-0"	2'-6"	4'-0"	7'-0"		1'-0"	1'-0"	2'-0"	4'-0"	7'-0"	9'-0"	
	360	1'-0"	1'-0"	1'-6"	3'-6"	5'-6"	8'-0"		1'-0"	1'-6"	2'-6"	6'-0"	8'-0"	9'-6"	
	560	1'-0"	1'-0"	2'-0"	4'-6"	6'-6"	9'-0"		1'-6"	3'-0"	4'-0"	7'-0"	9'-0"	10'-0"	
16"	110	1'-0"	1'-0"	1'-0"	1'-0"	2'-0"	3'-0"	5'-0"	1'-0"	1'-0"	1'-0"	3'-0"	5'-6"	7'-6"	10'-0"
	210	1'-0"	1'-0"	1'-0"	1'-0"	2'-6"	3'-6"	6'-0"	1'-0"	1'-0"	1'-0"	3'-0"	6'-6"	8'-0"	11'-0"
	230	1'-0"	1'-0"	1'-0"	1'-6"	3'-0"	4'-0"	7'-0"	1'-0"	1'-0"	1'-0"	3'-6"	7'-0"	9'-0"	11'-0"
	360	1'-0"	1'-0"	1'-0"	2'-6"	4'-6"	6'-6"	9'-0"	1'-0"	1'-0"	1'-6"	5'-0"	9'-0"	10'-0"	11'-6"
	560	1'-0"	1'-0"	1'-0"	2'-6"	5'-0"	7'-6"	10'-0"	1'-0"	2'-0"	3'-0"	6'-6"	10'-0"	11'-0"	12'-0"

Table B—Intermediate or Cantilever Support: Minimum distance from edge of hole to inside face of nearest intermediate or cantilever support

Joist Depth	TJI®	Round Hole Size							Square or Rectangular Hole Size						
		2"	3"	4"	6½"	8½"	11"	13"	2"	3"	4"	6½"	8½"	11"	13"
9½"	110	2'-0"	2'-6"	3'-6"	7'-6"				1'-6"	2'-6"	3'-6"	6'-6"			
	210	2'-0"	2'-6"	3'-6"	8'-0"				2'-0"	3'-0"	4'-0"	7'-6"			
	230	2'-6"	3'-0"	4'-0"	8'-6"				2'-0"	3'-6"	4'-6"	7'-6"			
	360	3'-0"	4'-0"	5'-6"	9'-0"				3'-0"	4'-6"	5'-6"	8'-0"			
	560	3'-6"	5'-0"	6'-0"	10'-0"				4'-0"	5'-6"	6'-6"	9'-0"			
11½"	110	1'-0"	1'-0"	1'-6"	4'-0"	8'-6"			1'-0"	1'-6"	2'-6"	7'-0"	9'-6"		
	210	1'-0"	1'-0"	2'-0"	4'-6"	9'-0"			1'-0"	2'-0"	3'-0"	8'-0"	10'-0"		
	230	1'-0"	2'-0"	2'-6"	5'-0"	10'-0"			1'-0"	2'-6"	3'-6"	8'-6"	10'-6"		
	360	2'-0"	3'-0"	4'-0"	7'-0"	11'-0"			2'-0"	3'-6"	5'-0"	9'-6"	11'-0"		
	560	1'-6"	3'-0"	4'-6"	8'-0"	12'-0"			3'-0"	4'-6"	6'-0"	10'-6"	12'-0"		
14"	110	1'-0"	1'-0"	1'-0"	2'-0"	4'-6"	8'-6"		1'-0"	1'-0"	1'-0"	5'-0"	9'-0"	12'-0"	
	210	1'-0"	1'-0"	1'-0"	2'-6"	5'-6"	9'-6"		1'-0"	1'-0"	2'-0"	6'-0"	10'-0"	13'-0"	
	230	1'-0"	1'-0"	1'-0"	3'-6"	6'-0"	10'-6"		1'-0"	1'-0"	2'-6"	6'-6"	11'-0"	13'-6"	
	360	1'-0"	1'-0"	2'-0"	5'-6"	8'-6"	12'-6"		1'-0"	2'-0"	4'-0"	9'-0"	12'-0"	14'-0"	
	560	1'-0"	1'-0"	1'-6"	5'-6"	9'-6"	13'-6"		1'-0"	3'-0"	5'-0"	10'-0"	13'-6"	15'-0"	
16"	110	1'-0"	1'-0"	1'-0"	1'-0"	2'-6"	5'-0"	8'-6"	1'-0"	1'-0"	1'-0"	3'-6"	8'-6"	11'-6"	15'-0"
	210	1'-0"	1'-0"	1'-0"	1'-0"	3'-6"	6'-0"	10'-0"	1'-0"	1'-0"	1'-0"	4'-6"	10'-0"	12'-6"	16'-0"
	230	1'-0"	1'-0"	1'-0"	1'-6"	4'-0"	6'-6"	11'-0"	1'-0"	1'-0"	1'-0"	5'-0"	10'-6"	13'-6"	16'-6"
	360	1'-0"	1'-0"	1'-0"	3'-0"	6'-6"	10'-0"	13'-6"	1'-0"	1'-0"	2'-0"	7'-6"	13'-0"	14'-6"	17'-0"
	560	1'-0"	1'-0"	1'-0"	2'-6"	7'-0"	11'-0"	15'-0"	1'-0"	1'-0"	3'-6"	9'-0"	14'-6"	16'-0"	18'-0"

- Leave ⅛" of web (minimum) at top and bottom of hole. **DO NOT cut joist flanges.**
- Tables are based on uniform load tables in current design literature.
- For simple span (5' minimum), uniformly loaded joists used in residential applications, one maximum size round hole may be located at the center of the joist span **provided that no other holes occur in the joist.**

Maximum Hole at Mid-Span for TJI® 360 and TJI® 560 Joists



Maximum Hole at Mid-Span for TJI® 360 and TJI® 560 Joists

Depth	TJI®	Maximum Hole Size (height x length)
11 7/8"	360	6 7/8" x 24"
	560	8 7/8" x 24"
14"	360	9" x 24"
	560	11" x 24"
16"	360	11" x 24"
	560	13" x 24"

General Notes

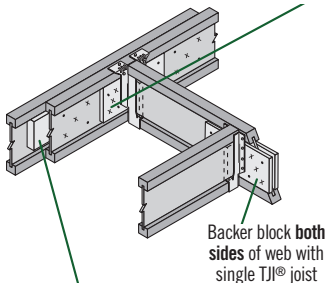
- Simple span (8' minimum) uniformly loaded joist only. Not for use in applications that have code mandated concentrated load requirements.
- 24" wide hole (maximum) located at center of span.
- Leave 1/8" of web (minimum) at top and bottom of hole.
- Two (2) additional holes may be added to the joist provided:
 - Additional holes are a minimum of 48" (edge to edge) from maximum hole.
 - Square or Rectangular: longest dimension is less than or equal to 0.65 x web depth.
 - Round: diameter is less than or equal to 0.75 x web depth.
 - Web depth (in.) = joist depth (in.) - 2.75".
 - See **Table A** for proper hole placement from end bearing for additional holes.

FILLER AND BACKER BLOCKS

HANGER BACKER BLOCK

Install tight to top flange (tight to bottom flange with face mount hangers).

- Attach with fifteen (0.131" x 3") nails, clinch when possible.



H2 DOUBLE TJI® JOIST FILLER BLOCK

- Attach with fifteen (0.131" x 3") nails, alternating from each side. For a TJI® 560 joist, use thirty-two (0.131" x 3 1/2") nails, half from each side.

Filler and Backer Block Sizes

TJI®	110		210		230 or 360		560	
Depth	9 1/2" or 11 7/8"	14" or 16"	9 1/2" or 11 7/8"	14" or 16"	9 1/2" or 11 7/8"	14" or 16"	9 1/2" or 11 7/8"	14" or 16"
Filler Block ⁽¹⁾ (Detail H2 or H6)	2x6	2x8	2x6 + 3/8" sheathing	2x8 + 3/8" sheathing	2x6 + 1/2" sheathing	2x8 + 1/2" sheathing	Two 2x6	Two 2x8
Cantilever Filler (Detail E4)	2x6 4'-0" long	2x10 6'-0" long	2x6 + 3/8" sheathing 4'-0" long	2x10 + 3/8" sheathing 6'-0" long	2x6 + 1/2" sheathing 4'-0" long	2x10 + 1/2" sheathing 6'-0" long	Not applicable	
Backer Block ⁽¹⁾ (Detail F1, H2, or H6)	5/8" or 3/4"		3/4" or 7/8"		7/8" or 1" net		2x6	2x8

(1) If necessary, increase filler and backer block height for face mount hangers and maintain 1/8" gap at top of joist. See detail W. Filler and backer block dimensions should accommodate required nailing without splitting. The suggested minimum length is 24" for filler and 12" for backer blocks.

FASTENING OF FLOOR PANELS

Guidelines for Closest On-Center Spacing per Row

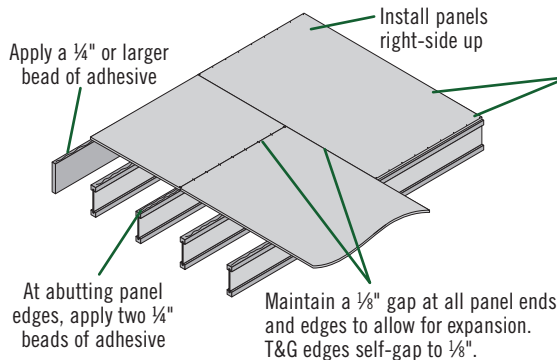
Nail Size	TJI®(1/2)		Rim board		1½" TimberStrand® LSL or wider	Microllam® LVL	Parallam® PSL
	110, 210, and 230	360 and 560	1⅛" TJI®	1¼" TimberStrand® LSL			
8d (0.113" x 2½"), 8d (0.131" x 2½")	4"	3"	6"	4"	3"	4"	4"
10d (0.148" x 3")	4 ⁽³⁾	4 ⁽³⁾	6"	4"	3"	5"	4"
12d (0.148" x 3¼")	4 ⁽³⁾	4 ⁽³⁾	12 ⁽⁴⁾	4"	3"	5"	4"
16d (0.162" x 3½")	6"	6"	16 ⁽⁵⁾	6 ⁽⁶⁾	6 ⁽⁶⁾	8 ⁽⁴⁾	6"
(0.131" x 3"-3½")	4"	3"	12 ⁽⁶⁾	4"	3"	4"	4"

- (1) Stagger nails when using 4" on-center spacing or less and maintain ¾" joist and panel edge distance. One row of fasteners is permitted (two at abutting panel edges) for diaphragms. Fastener spacing for TJI® joists in diaphragm applications cannot be less than shown in table. When fastener spacing for blocking is less than spacing shown above, rectangular blocking must be used in lieu of TJI® joists.
 - (2) For non-diaphragm applications, multiple rows of fasteners are permitted if the rows are offset at least ½" and staggered.
 - (3) With 10d (0.148" x 1½") nails, spacing can be reduced to 3" on-center for light gauge steel straps.
 - (4) Can be reduced to 5" on-center if nail penetration into the narrow edge is no more than 1¼" (to minimize splitting).
 - (5) Can be reduced to 8" on-center if nail penetration into the narrow edge is no more than 1¼" (to minimize splitting).
 - (6) Can be reduced to 4" on-center if nail penetration into the narrow edge is no more than 1¼" (to minimize splitting).
- Recommended nailing is 12" on-center in field and 6" on-center along panel edge. Fastening requirements on engineered drawings supersede recommendations listed above.
 - Maximum nail spacing for TJI® joists is 18" on-center.
 - 14 ga. staples may be substituted for 8d (0.113" x 2½") nails if minimum penetration of 1" into the TJI® joist or rim board is achieved.
 - To minimize splitting, maintain edge distance and row spacing of 2½ x nail diameter or ¾", whichever is greater. Multiple rows must be staggered and equally spaced from the centerline of the narrow face axis.
 - For recommended nailing and adhesives, see **INSTALLATION RECOMMENDATIONS** below.

INSTALLATION RECOMMENDATIONS

RECOMMENDED COMPONENTS

- Weyerhaeuser Edge Gold™ floor panels
- TJI® joists
- 1⅛" TJI® Rim Board or 1¼" TimberStrand® LSL



RECOMMENDED ADHESIVES

- Weyerhaeuser recommends using a subfloor adhesive that has been qualified as a Class 1/8 in., Type P/O subfloor adhesive in accordance with ASTM D3498-19.
- Nail panel to joist at 12" on-center in field and 6" on-center along panel edges. Apply fasteners ¾" from panel edges.
- For ¾" panels, use 8d (0.131" x 2½") or 6d (0.120" x 2") deformed-shank nails or other code-approved fasteners.
- For ⅞" panels, use 8d (0.131" x 2½") or 8d (0.120" x 2½") deformed-shank nails or other code-approved fasteners.
- Fully nail floor panel within 10 minutes of applying adhesive (or sooner if required by adhesive manufacturer).
- Screws may be substituted for the nails noted above if the screws have equivalent lateral load capacity.

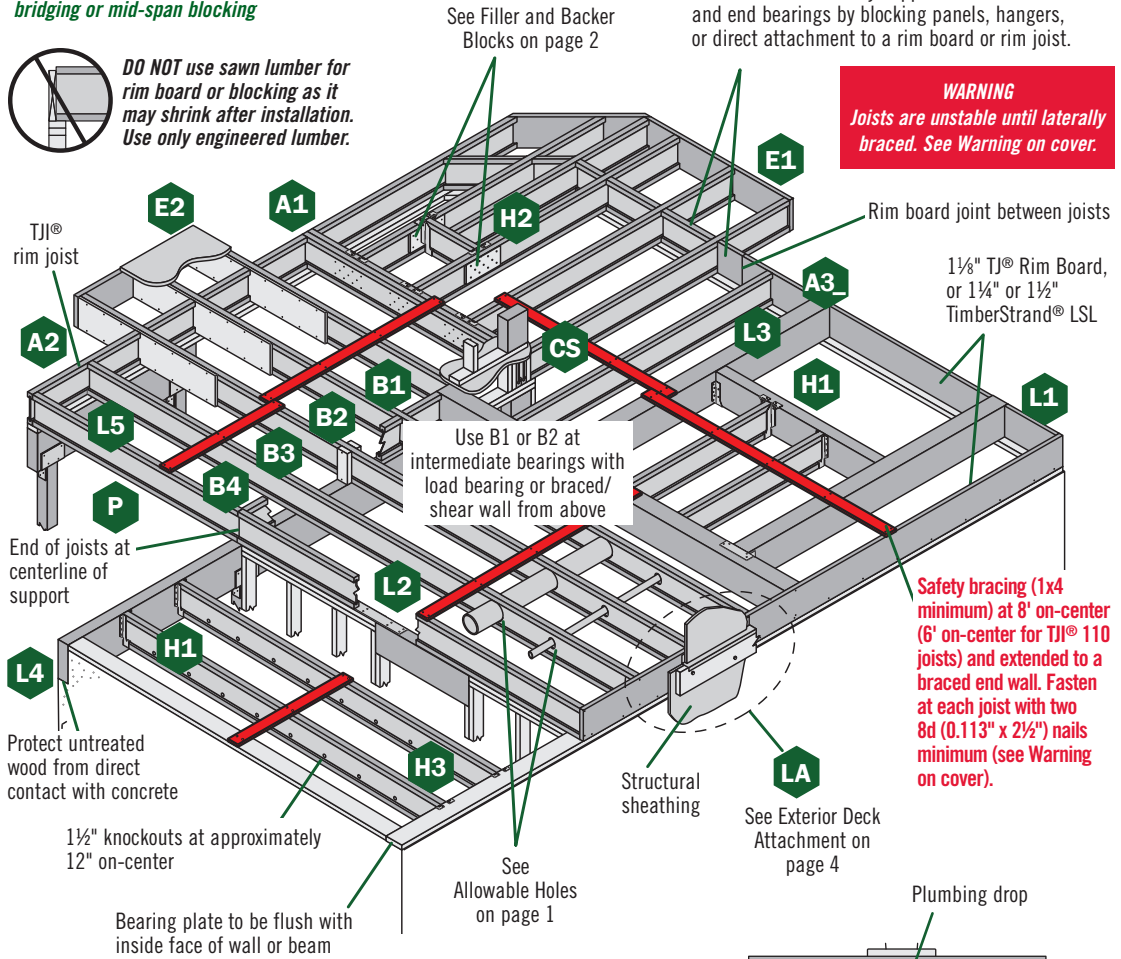
TJI® joist floor framing does not require bridging or mid-span blocking



DO NOT use sawn lumber for rim board or blocking as it may shrink after installation. Use only engineered lumber.

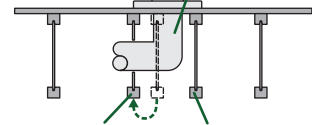
Joists must be laterally supported at cantilever and end bearings by blocking panels, hangers, or direct attachment to a rim board or rim joist.

WARNING
Joists are unstable until laterally braced. See Warning on cover.



INSTALLATION TIPS

- Subfloor adhesive will improve floor performance, but may not be required.
- Squash blocks and blocking panels carry stacked vertical loads (details B1 and B2). Packing out the web of a TJI® joist (with web stiffeners) is not a substitute for squash blocks or blocking panels.
- When joists are doubled at non-load bearing parallel partitions, space joists apart the width of the wall for plumbing or HVAC.
- Additional joist at plumbing drop (see detail at right).



Joist may be shifted up to 3" if floor panel edge is supported and span rating is not exceeded. **Do not cut joist flanges.**

Additional joist is required if floor panel edge is unsupported or if span rating is exceeded.

DETAIL SCHEDULE

End bearings (see page 3)

- A1** with blocking panels
- A2** with TJI® rim joist
- A3** with rim board

Intermediate bearings* (see page 5)

- B1** with blocking panels to support load bearing wall above
- B2** with squash blocks to support load bearing wall above
- B3** without blocking panels or squash blocks (no wall above)

Cantilever details (see page 5)

- E1** no reinforcement
- E2** ¾" reinforcement on one side

- E3** ¾" reinforcement both sides
- E4** joist reinforcement
- F1** deck cantilever
- PB1** permanent bracing

Cantilevers less than 5" (see page 5)

- E5** ¾" reinforcement on one side, with vertical blocking
- E6** ¾" reinforcement both sides, with vertical blocking
- E7** ¾" reinforcement on one side, with horizontal blocking
- E8** ¾" reinforcement on both sides, with horizontal blocking
- E9** horizontal blocking, no reinforcement

Hanger Details

(more connector information on page 8)

- H1** TJI® joist to beam (see page 8)
- H2** TJI® joist to joist (see page 2)
- H3** TJI® joist on masonry wall or steel beam (see page 8)

Other details

- B4** butting joists with blocking panels (see page 3)
- CS** column support (see page 4)
- LA** exterior deck attachment (see page 4)
- W** web stiffeners (see page 5)
- L** beam details (see page 9)
- P** column details (see page 9)

*Load bearing wall must stack over wall below. Blocking panels may be required at braced/shear walls above or below.

JAVELIN® SOFTWARE FRAMING PLANS



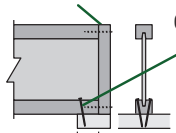
Web stiffeners required on each side of joist at bearing. Refer to your Javelin® framing plan.

Bearing requirements as shown on the Javelin® framing plan are job-specific and supersede minimum bearing requirements listed.

TJI® JOIST NAILING REQUIREMENTS AT BEARING

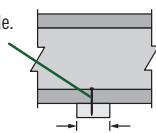
TJI® Joist to Bearing Plate

1½" TJI® Rim Board, or 1¼" or 1½" TimberStrand® LSL



One 8d (0.113" x 2½") nail each side.
Drive nails at an angle at least 1½" from end.

1¾" minimum end bearing for single-family applications



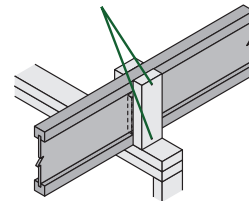
3½" minimum intermediate bearing; 5¼" may be required for maximum capacity

- Increased bearing capacities may be achieved with increased bearing lengths. See plans for required bearing lengths.

Shear transfer nailing: Use connections equivalent to floor panel nailing schedule. See page 2.

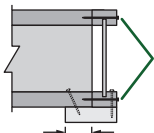
Squash Blocks to TJI® Joist (Load bearing wall above)

One (0.131" x 3") nail into each flange



Also see detail B2 on page 5

Rim to TJI® Joist



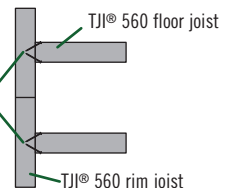
1¾" minimum bearing

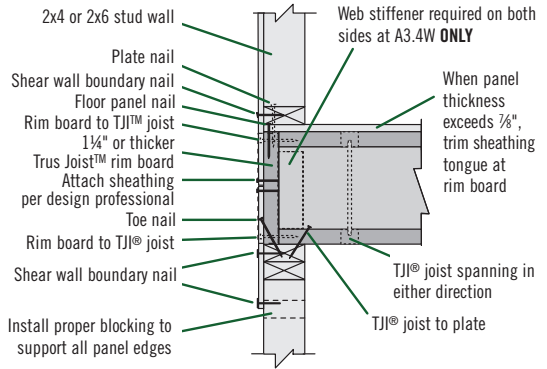
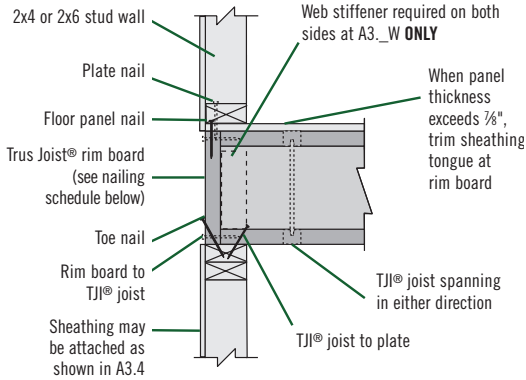
1½" TJI® Rim Board, or 1¼" or 1½" TimberStrand® LSL, or TJI® 110 rim joist:
One (0.131" x 3") nail into each flange
TJI® 210, 230, and 360 rim joist:
One (0.131" x 3½") nail into each flange

Locate rim board joint between joists

TJI® 560 rim joist:
Toenail with (0.131" x 3") nails, one each side of TJI® joist flange

Top View





Rim Board Installation Detail⁽¹⁾⁽²⁾⁽³⁾

Specifications	Prescriptive		Designed ⁽⁶⁾		
	A3	A3.1	A3.2	A3.3	A3.4
Minimum Rim Board Thickness	1½"	1½"	1¼"	1¼"	1¼"
Plate Nail - (0.131 x 3")	12" o.c. ⁽⁴⁾	12" o.c. ⁽⁴⁾	12" o.c. ⁽⁴⁾	Designed shear wall	
Floor Panel Nail - 8d common (0.131" x 2½")	6" o.c.	6" o.c.	6" o.c.	4" o.c. minimum	
Rim Board to TJI® Joist—(0.131" x 3")	One into each flange				
Toe Nail—(0.131" x 3")	6" o.c.	6" o.c.	6" o.c.	4" o.c.	By design professional ⁽⁷⁾
TJI® Joist to Plate—(0.113" x 2½")	Two nails driven at an angle into bottom flange, one each side of web at least 1½" from end				
Wall Framing	Per code	Per code	Per code	Designed shear wall	
Lateral Load (plf)	Per code	220 ⁽⁵⁾	240 ⁽⁵⁾	350 ⁽⁵⁾	By design professional ⁽⁷⁾

(1) All sheathing must be properly blocked and nailed.

(2) Minimum rim thickness shown allows one row of nails for shear wall and floor panel. For alternate spacing and additional rows of nails for different rim board thicknesses, see TB-206.

(3) Verify the lateral capacity of the wall. Not all types of code allowed wall construction provide the same lateral resistance. Check with local building officials or the design professional of record.

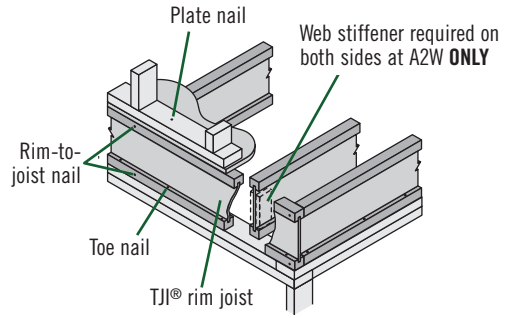
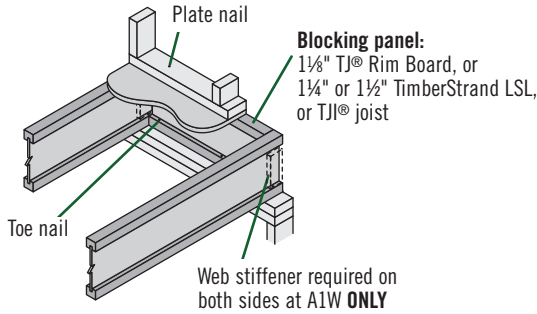
(4) Per code, increase nailing to 4" on center for braced walls.

(5) Lateral load capacities are for seismic design applications. No further increases for duration of load are allowed, except loads may be increased by a factor of 1.4 for wind design applications.

(6) Shear wall loading plus floor diaphragm loading cannot exceed lateral capacity listed unless additional connections designed.

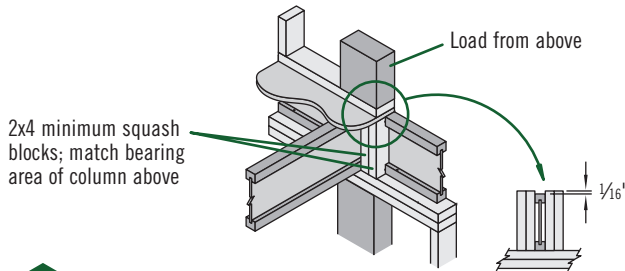
(7) Capacity of combined toe-nail and lap sheathing connection developed by design professional.

FLOOR DETAILS



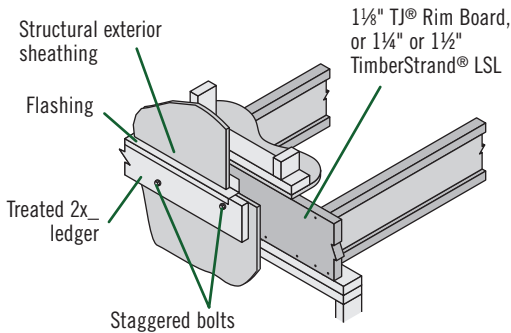
A1 **A1 W** Attach blocking per A3.1 in rim board installation table above

A2 **A2 W** Must have 1 1/4" minimum joist bearing at ends. Attach rim joist per A3.1 in rim board installation table above.

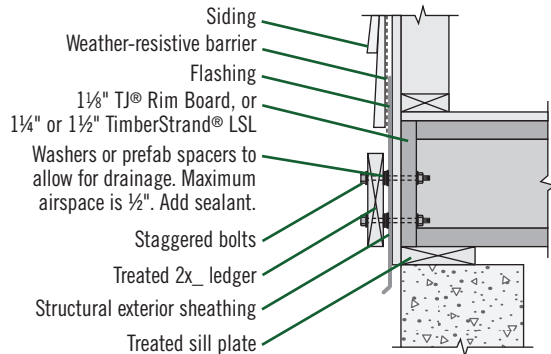


CS Use 2x4 minimum squash blocks to transfer load around TJI® joist

Exterior Deck Attachment



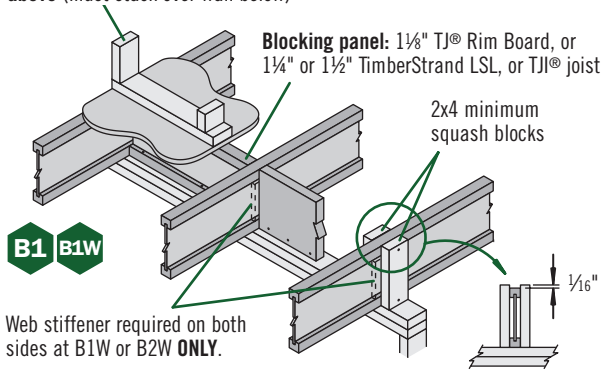
Shimmed Deck Attachment



LA Corrosion-resistant fasteners required for wet-service applications

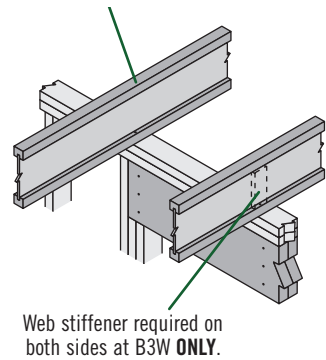
Maintain 2" distance (minimum) from edge of ledger to edge of fastener. Stagger bolts.

Load bearing or braced/shear wall above (must stack over wall below)



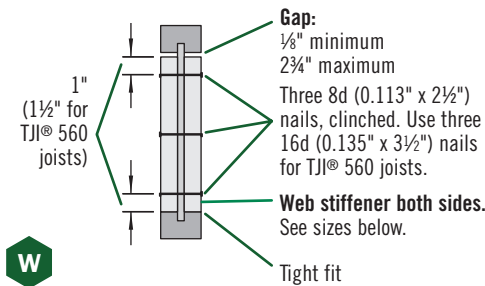
B2 B2W *Blocking panels may be required in Seismic Design Categories D₀, D₁, and D₂ and/or with braced/shear walls above or below—see detail B1*

No load bearing wall above



B3 B3W *Blocking panels may be required in Seismic Design Categories D₀, D₁, and D₂ and/or with braced/shear walls above or below—see detail B1*

WEB STIFFENERS—FLOOR AND ROOF APPLICATIONS

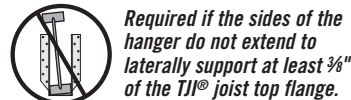
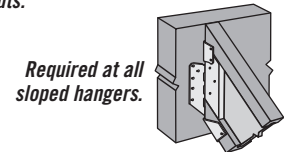
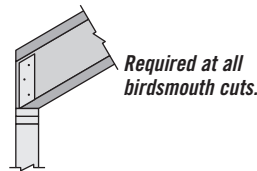


WEB STIFFENER SIZES

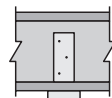
- TJI® 110 joists: 5/8" x 2 5/16" minimum⁽¹⁾
- TJI® 210 joists: 3/4" x 2 5/16" minimum⁽¹⁾
- TJI® 230 and 360 joists: 7/8" x 2 5/16" minimum⁽¹⁾
- TJI® 560 joists: 2x4, construction grade or better

(1) PS1 or PS2 sheathing, face grain vertical

WEB STIFFENER REQUIREMENTS



Only required at intermediate bearing locations when noted on framing plan.



CANTILEVER DETAILS

PB1: Cantilever back span must be permanently braced with either direct-applied ceiling along entire length or permanent bracing at $\frac{1}{3}$ points. See detail below for connections.

$1\frac{1}{2}$ " TJI® Rim Board, or $1\frac{1}{4}$ " or $1\frac{1}{2}$ " TimberStrand® LSL, typical. Nail with (0.131" x 3") nails, one each at top and bottom flange.

8" diameter maximum hole for $11\frac{7}{8}$ "–16" deep blocking panels; 6" diameter maximum for blocking panels $9\frac{1}{2}$ " deep or shorter than 12" long. **Do not cut flanges.**

$1\frac{1}{2}$ " TJI® Rim Board, or $1\frac{1}{4}$ " or $1\frac{1}{2}$ " TimberStrand® LSL closure, typical. Attach to joist with one (0.131" x 3") nail at top and bottom flanges.

E1, E1W: Web stiffener required on both sides at E1W **ONLY**

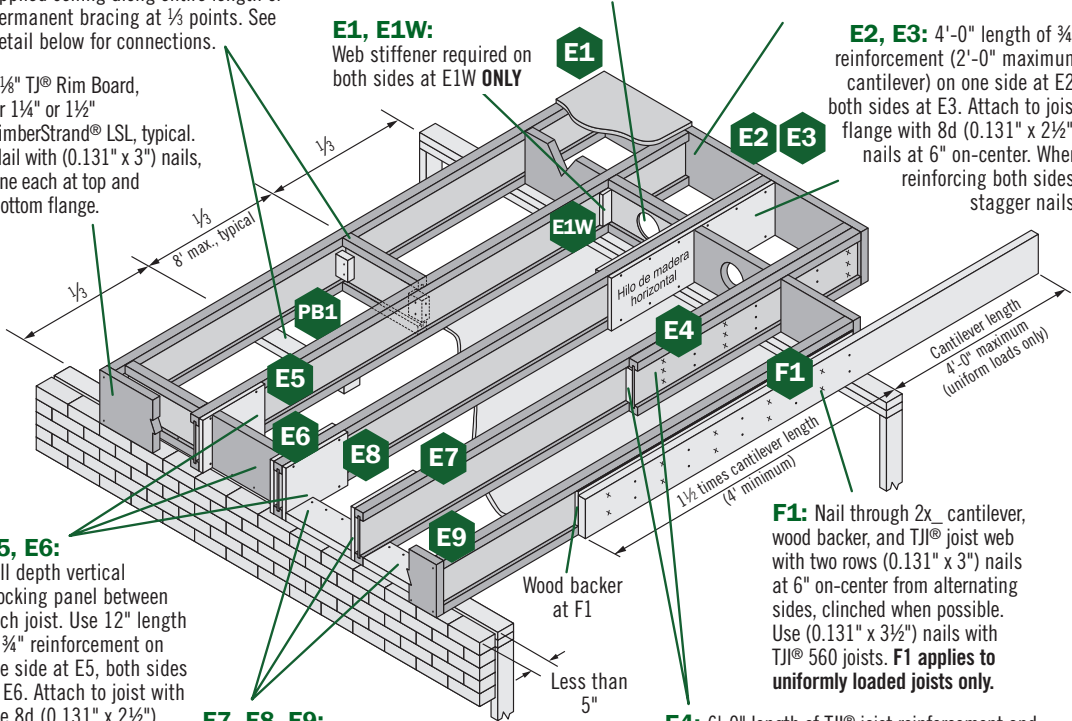
E2, E3: 4'-0" length of $\frac{3}{4}$ " reinforcement (2'-0" maximum cantilever) on one side at E2, both sides at E3. Attach to joist flange with 8d (0.131" x 2½") nails at 6" on-center. When reinforcing both sides, stagger nails.

E5, E6: Full depth vertical blocking panel between each joist. Use 12" length of $\frac{3}{4}$ " reinforcement on one side at E5, both sides at E6. Attach to joist with one 8d (0.131" x 2½") nail at each corner.

E7, E8, E9: Horizontal blocking panel between each joist. 12" length of $\frac{3}{4}$ " reinforcement on one side with E7, both sides with E8. Attach to joist with one 8d (0.131" x 2½") nail at each corner. No reinforcement at E9. Nail rim to blocking panel and blocking panel to plate with connections equivalent to floor panel schedule.

E4: 6'-0" length of TJI® joist reinforcement and filler block at E4. Attach to joist web with three rows 10d (0.148" x 3") nails at 6" on-center from alternating sides, clinched when possible. Use 4'-0" length with $9\frac{1}{2}$ " and $11\frac{7}{8}$ " TJI® joists, and attach to joist web with two rows 10d (0.148" x 3") nails at 6" on-center from alternating sides, clinched when possible. **Not for use with TJI® 560 joists.**

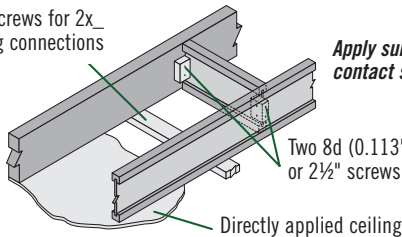
F1: Nail through 2x_ cantilever, wood backer, and TJI® joist web with two rows (0.131" x 3") nails at 6" on-center from alternating sides, clinched when possible. Use (0.131" x 3½") nails with TJI® 560 joists. **F1 applies to uniformly loaded joists only.**



Two 2½" screws for 2x_ strapping connections

When specified on the layout, one of the bracing options shown at right is required

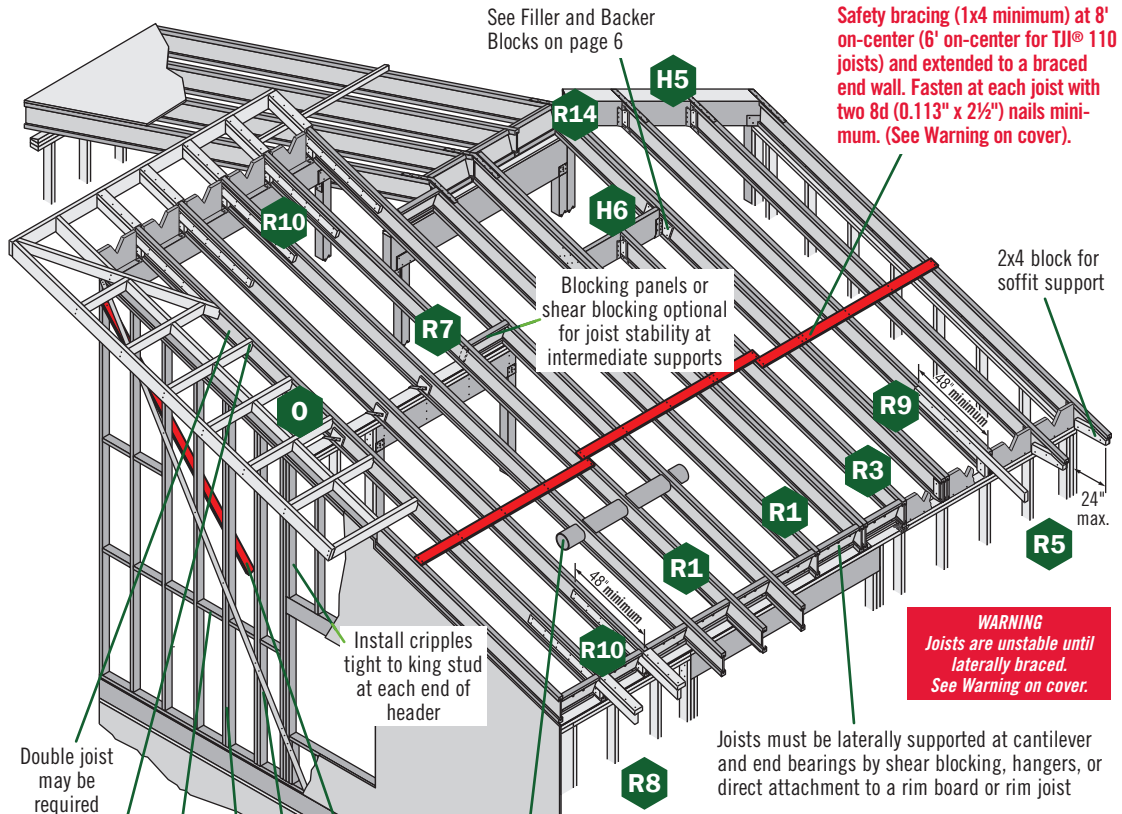
PB1



Apply subfloor adhesive to all contact surfaces

Two 8d (0.113" x 2½") nails or 2½" screws, typical

Directly applied ceiling



Safety bracing (1x4 minimum) at 8' on-center (6' on-center for TJI® 110 joists) and extended to a braced end wall. Fasten at each joist with two 8d (0.113" x 2½") nails minimum. (See Warning on cover).

See Filler and Backer Blocks on page 6

Blocking panels or shear blocking optional for joist stability at intermediate supports

2x4 block for soffit support

WARNING
Joists are unstable until laterally braced. See Warning on cover.

Joists must be laterally supported at cantilever and end bearings by shear blocking, hangers, or direct attachment to a rim board or rim joist

Install cripples tight to king stud at each end of header

Double joist may be required

Notch around TJI® joist top flange and nail through web into outrigger

Let-in bracing

Studs must be doubled when notched in middle third of length. Refer to hole charts for allowable holes and notches.

Safety bracing. Lack of proper bracing can result in serious accidents.

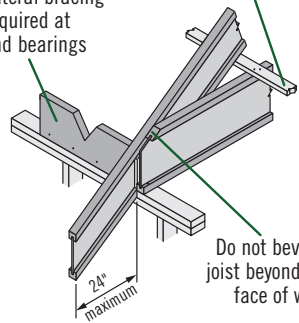
See Allowable Holes on page 1

TimberStrand® LSL blocking:
-1 row at 10'-16' height
-2 rows at 16'-24' height
-3 rows at 24'-30' height

Ceiling Joists

Ceiling joist must be braced at 18" on-center

Lateral bracing required at end bearings



Do not bevel cut joist beyond inside face of wall

DETAIL SCHEDULE

Roof details (see page 7)

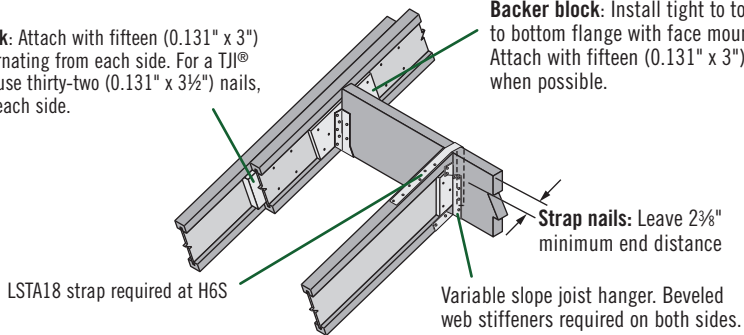
R1 on bevel plate	R7 intermediate bearing	R10 W 2x4 outrigger with filler and web stiffeners	SB shear blocking (see page 6)
R1 W on bevel plate with web stiffeners	R7 W intermediate bearing with web stiffeners	R14 ridge detail	W web stiffeners
R3 with variable slope seat connector	R8 2x4 outrigger and filler with birdsmouth cut	R14 W ridge detail, with web stiffeners	Hanger details (see page 6)
R3 W with seat connector and web stiffeners	R9 2x4 outrigger without filler	Other details	H5 slope adjusted hanger
R5 with birdsmouth cut	R10 2x4 outrigger with filler	O 2x_ overhang at end wall	H6 header on slope

Joists must be laterally supported at cantilever and end bearings by blocking panels, hangers, or direct attachment to a rim board or rim joist.

FILLER AND BACKER BLOCKS

Filler block: Attach with fifteen (0.131" x 3") nails, alternating from each side. For a TJI® 560 joist, use thirty-two (0.131" x 3½") nails, half from each side.

Backer block: Install tight to top flange (tight to bottom flange with face mount hangers). Attach with fifteen (0.131" x 3") nails, clinch when possible.



H6 H6S H6S is required for slopes greater than 3:12.

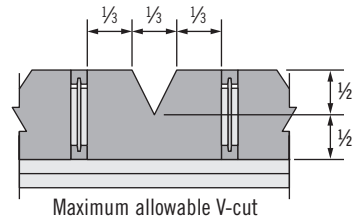
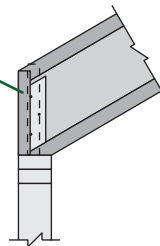
See Filler and Backer Block Sizes on page 2

SHEAR BLOCKING AND VENTILATION HOLES (ROOF ONLY)

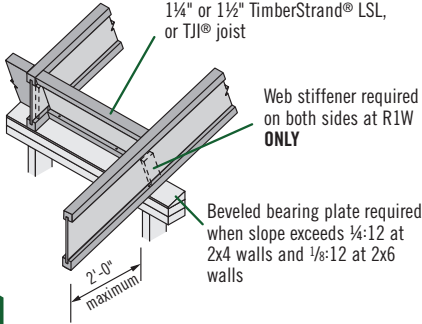
TJI® Rim Board or TimberStrand® LSL for shear blocking (between joists). Field trim to match joist depth at outer edge of wall or locate on wall to match joist depth.

For TJI® joists with slopes of 10:12 to 12:12, the vertical depth of shear blocking at bearing will require 1½" TJI® Rim Board, or 1¼" or 1½" TimberStrand® LSL that is one size deeper than the TJI® joist. DO NOT use 1½" TJI® Rim Board in ventilation-hole applications.

SB

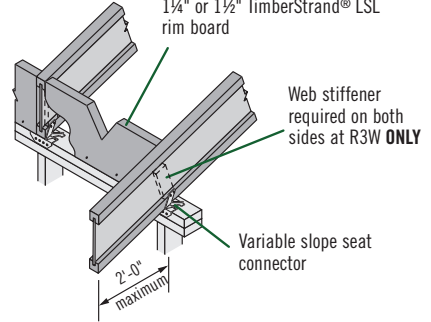


Shear blocking:
 1½" TJ® Rim Board, or
 1¼" or 1½" TimberStrand® LSL,
 or TJ® joist



R1
R1W

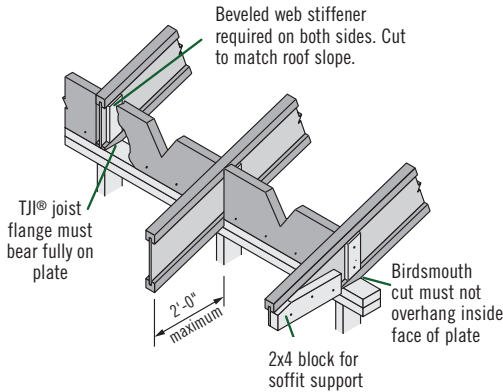
V-cut shear blocking:
 1¼" or 1½" TimberStrand® LSL
 rim board



R3
R3W

Intermediate Bearing

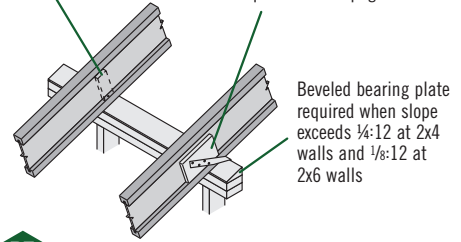
Blocking panels or shear blocking may be specified for joist stability at intermediate supports



R5 Birdsmouth cut allowed at low end of joist only

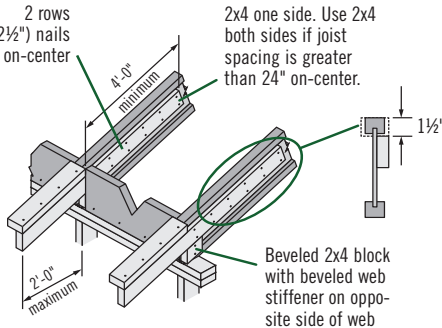
Web stiffener required on both sides at R7W **ONLY**

Twist strap and backer block required at R7S. See Nailing Requirements on page 7.

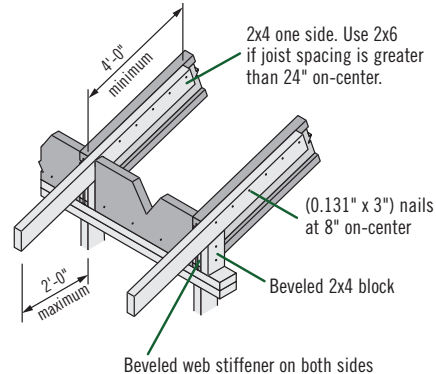


R7 **R7W** **R7S** R7S is required for slopes greater than 3:12.

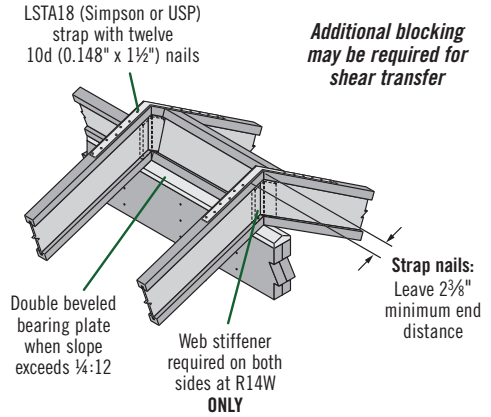
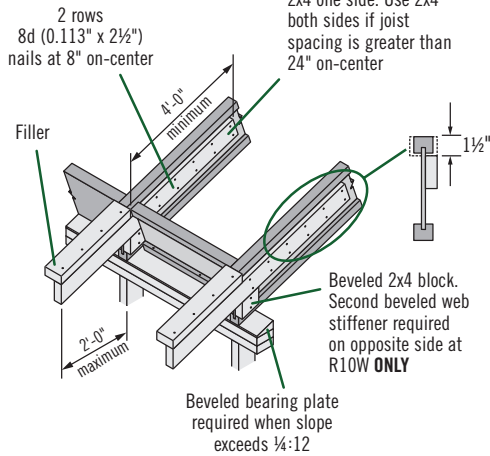
2 rows
 8d (0.113" x 2½") nails
 at 8" on-center



R8 Birdsmouth cut allowed at low end of joist only



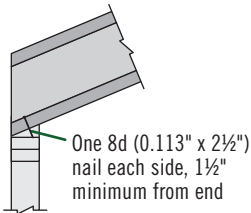
R9 Birdsmouth cut allowed at low end of joist only



TJI® JOIST NAILING REQUIREMENTS AT BEARING

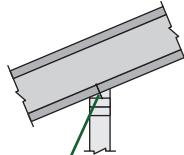
TJI® Joist to Bearing Plate

END BEARING
(1¼" minimum bearing required)



When slope exceeds ¼:12, a beveled bearing plate, variable slope seat connector, or birdsmouth cut (at low end of joist only) is required.

INTERMEDIATE BEARING
(3½" minimum bearing required)

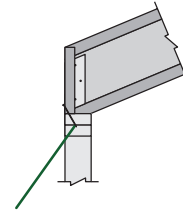


Slopes 3:12 or less:
One 8d (0.113" x 2½") nail each side. See detail R7.

Slopes greater than 3:12:
Two 8d (0.113" x 2½") nails each side, plus a twist strap and backer block. See detail R7S.

When slope exceeds ¼:12 for a 2x4 wall or ⅓:12, for a 2x6 wall, a beveled bearing plate or variable slope seat connector is required.

Blocking to Bearing Plate



1⅛" TJI® Rim Board, or
1¼" or 1½" TimberStrand® LSL.
Toenail with (0.131" x 3") nails at 6"
on-center

TJI® joist blocking:
(0.131" x 3") nails at 6" on-center

Shear transfer nailing:
Minimum, use connections equivalent to sheathing nail schedule

APPROVED HANGERS

- The following manufacturers are approved to supply hangers for Trus Joist® products:
 - Simpson Strong-Tie Co., Inc.: 1-800-999-5099
 - Mitek, Inc.: 1-800-328-5934
- Hanger design loads differ by support type and may exceed the capacity of the support and/or supported member. Contact your Weyerhaeuser representative or refer to Weyerhaeuser software.

NAILING REQUIREMENTS

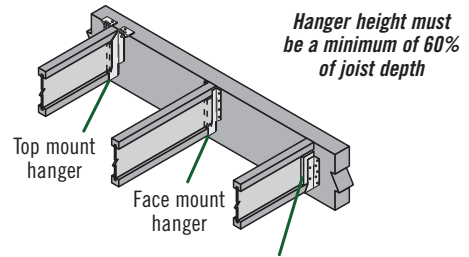
- Fill all round, dimple, and positive angle holes with the proper nails. Hanger nails are usually a heavier gauge because of the higher loads they need to carry.
- Unless specified otherwise, full capacity of straps or connectors can only be achieved if the following nail penetration is provided:

	FACE MOUNT	TOP MOUNT
10d (0.148" x 1½")	1½" minimum	1½" minimum
10d (0.148" x 3")	1½" minimum, clinched	3" minimum
16d (0.162" x 3½")	1¾" minimum, clinched	3½" minimum

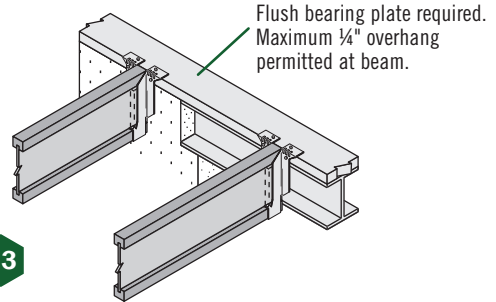
- Top mount hangers should be fastened to TJI® joist headers with 10d (0.148" x 1½") nails. Fasten face mount hangers to 3½" or wider TJI® joist headers with 10d (0.148" x 3") or 16d (0.162" x 3½") nails.

CONNECTOR INSTALLATION AND SQUEAK PREVENTION TIPS

- Nails must be completely set.
- Leave 1/16" clearance between the member and the support member or hanger.
- Joist to beam connections require hangers; do not toenail.
- Install the supported member tight to the bottom of the hanger. Reduce squeaks by adding subfloor adhesive to the hanger seat.
- On Simpson Strong-Tie® VPA connectors, bend the bottom flange tabs over and nail to TJI® joist bottom flange.

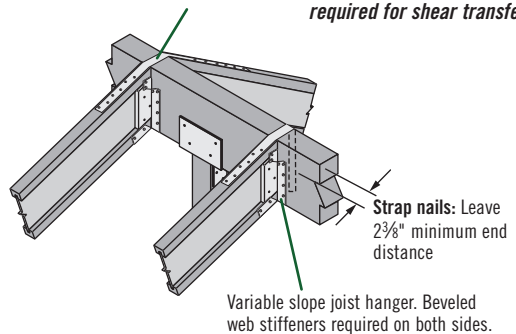


Web stiffeners required if the sides of the hanger do not laterally support at least 3/8" of the TJI® joist top flange



LSTA24 (Simpson or USP) strap with twelve 10d (0.148" x 1½") nails required at H5S

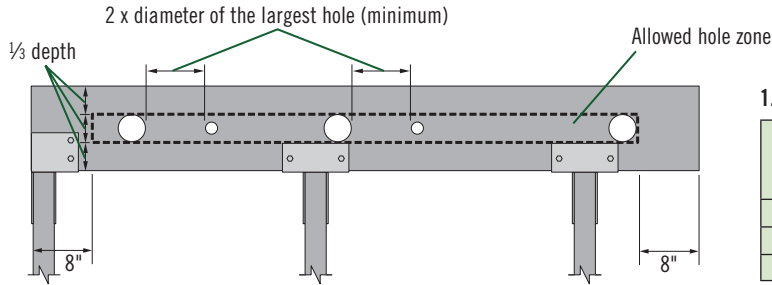
Additional blocking may be required for shear transfer



H5S is required for slopes greater than 3:12.

ALLOWABLE HOLES—HEADERS, BEAMS AND STUDS

1.55E TimberStrand® LSL Headers and Beams



1.55E TimberStrand® LSL

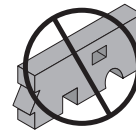
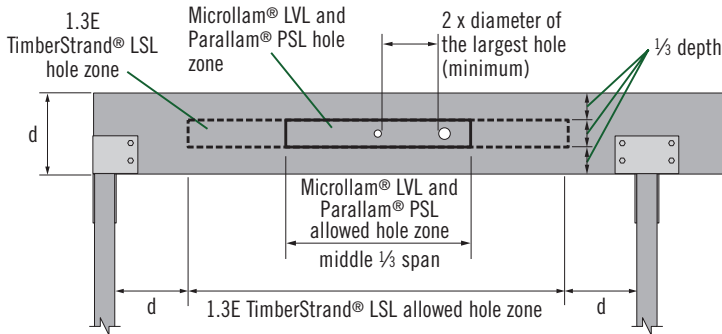
Header or Beam Depth	Maximum Round Hole Size
9½"	3"
11⅞"	3⅝"
14"–16"	4⅝"

- See illustration for allowed hole zone.

GENERAL NOTES

- Allowed hole zone suitable for headers and beams with **uniform and/or concentrated loads** anywhere along the member.
- Round holes only.
- No holes in headers or beams in plank orientation.

Other Trus Joist® Headers and Beams



DO NOT cut, notch, or drill holes in headers or beams except as indicated in the illustrations and tables.

Other Trus Joist® Beams

Header or Beam Depth	Maximum Round Hole Size
4⅜"	1"
5½"	1¾"
7¼"–20"	2"

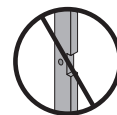
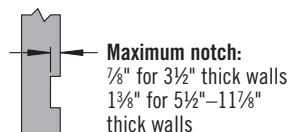
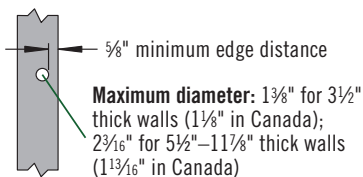
- See illustration for allowed hole zone.

GENERAL NOTES

- Allowed hole zone suitable for headers and beams with **uniform loads only**.
- No holes in cantilevers.
- Round holes only.
- No holes in headers or beams in plank orientation.

TimberStrand® LSL Wall Studs

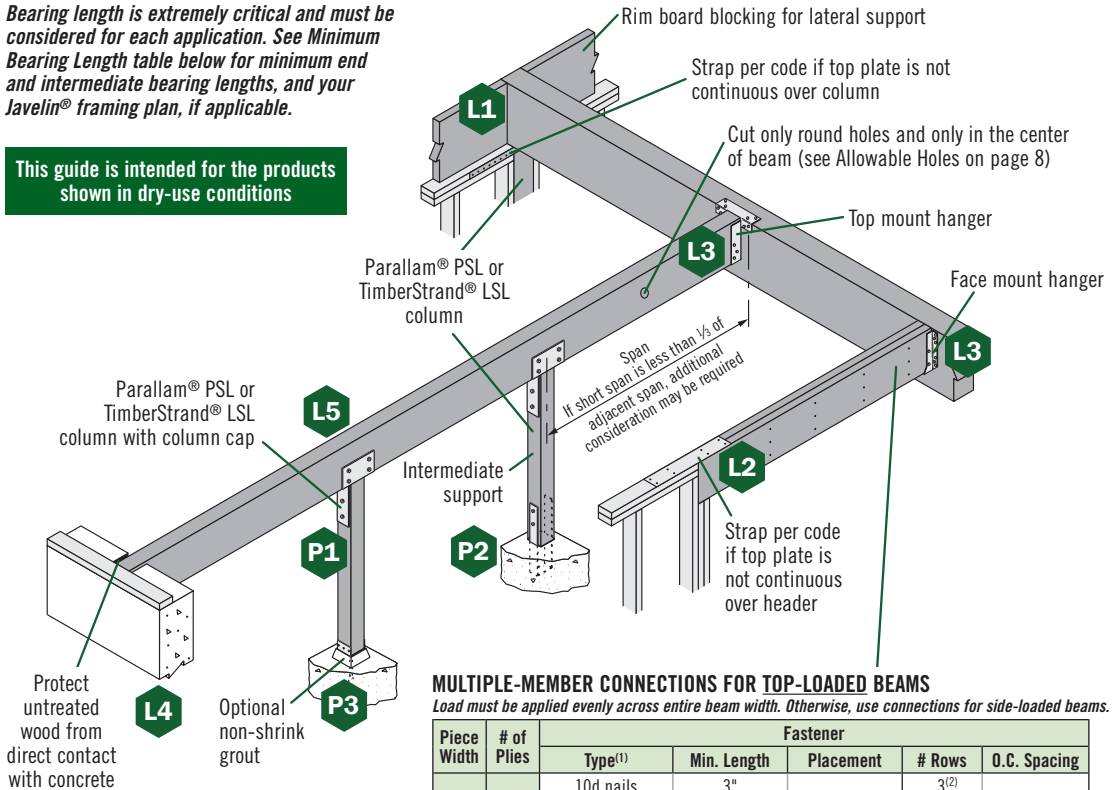
**One notch may be cut anywhere except the middle ½ of the length of the stud.
Holes may be drilled anywhere along the length of the stud but must be at least ⅝" from the edge.**



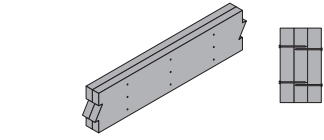
DO NOT cut a notch and a hole in the same cross section.

Bearing length is extremely critical and must be considered for each application. See Minimum Bearing Length table below for minimum end and intermediate bearing lengths, and your Javelin® framing plan, if applicable.

This guide is intended for the products shown in dry-use conditions



When fasteners are required on both faces stagger fasteners on the second face so they fall halfway between fasteners on the first face.



L6 Multiple pieces can be nailed or bolted together, up to a maximum width of 7"

MULTIPLE-MEMBER CONNECTIONS FOR SIDE-LOADED BEAMS

- Additional nailing or bolting may be required with side-loaded multiple-member beams. Refer to current product literature.

MULTIPLE-MEMBER CONNECTIONS FOR TOP-LOADED BEAMS

Load must be applied evenly across entire beam width. Otherwise, use connections for side-loaded beams.

Piece Width	# of Plies	Fastener				
		Type ⁽¹⁾	Min. Length	Placement	# Rows	O.C. Spacing
1 3/4"	2	10d nails	3"	One face	3 ⁽²⁾	12"
		12d–16d nails	3 1/4"		2 ⁽²⁾	
		Screws	3 3/8" or 3 1/2"		2	
	3	10d nails	3"	Both faces	3 ⁽²⁾	12"
			12d–16d nails		3 1/4"	
		Screws	3 3/8" or 3 1/2"	Both faces	2	24"
			5"		One face	
	1/2" bolts ⁽⁴⁾	6"	—	2	24"	
	4	10d nails ⁽³⁾	3"	One face (per ply)	3 ⁽²⁾	12"
			12d–16d nails ⁽³⁾		3 1/4"	
		Screws	5" or 6"	Both faces	2	24"
			6 3/4"		One face	
1/2" bolts ⁽⁴⁾	8"	—	2	24"		
3 1/2"	2	Screws	5" or 6"	Both faces	2	24"
			6 3/4"			
		1/2" bolts ⁽⁴⁾	8"	—	2	

(1) 10d nails are 0.128"-0.131" diameter; 12d-16d nails are 0.148"-0.162" diameter; screws are SDS, WS, SDW22, or WSWH.
 (2) An additional row of nails is required with depths of 14" or greater.
 (3) When connecting 4-ply members, nail each ply to the other and offset nail rows by 2" from rows in the ply below.
 (4) Washers required. Bolt holes to be 9/16" maximum. 9/4" minimum beam depth.

DETAIL SCHEDULE

Beam and header details

- L1** bearing at wood wall
- L2** bearing for door or window header
- L3** beam to beam connection
- L4** bearing at concrete wall
- L5** bearing at wood or steel column
- L6** connection of multiple pieces

Column details

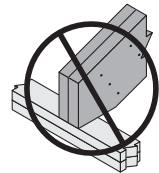
- P1** beam on column cap
- P2** column base
- P3** elevated column base

BEAM AND HEADER BEARINGS

Minimum Bearing Length for Beams and Headers

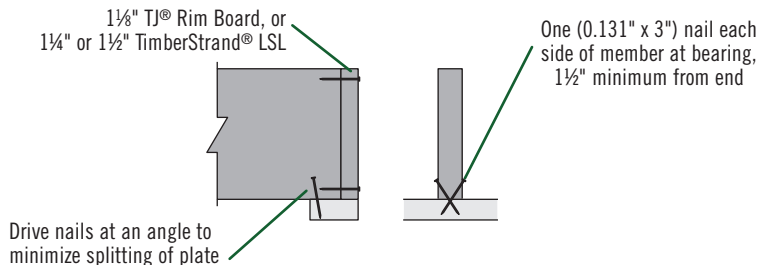
Beam Depth	Bearing	Span of Header or Beam								
		4'	6'	8'	10'	12'	16'	20'	24'	28'
5½"	End/Int.	2¼" / 4½"	1½" / 3½"	1½" / 3½"	1½" / 3½"	1½" / 3½"	1½" / 3½"			
7¼"	End/Int.	3½" / 6¼"	2½" / 5½"	1¾" / 4¼"	1½" / 3½"	1½" / 3½"	1½" / 3½"			
8⅝"	End/Int.	3¼" / 8"	2¼" / 5½"	1¾" / 4"	1½" / 3½"	1½" / 3½"	1½" / 3½"	1½" / 3½"	1½" / 3½"	
9¼", 9½"	End/Int.			3¾" / 8¾"	3" / 7½"	2½" / 6¼"	1¾" / 4¾"	1½" / 3¾"	1½" / 3½"	1½" / 3½"
11¼", 11⅝"	End/Int.					4" / 9½"	2¾" / 7¼"	2¼" / 5¾"	1¾" / 4¾"	1½" / 4¼"
14"	End/Int.					4" / 9¾"		3" / 8"	2½" / 6½"	2¼" / 5¾"
16"	End/Int.							4" / 10"	3¼" / 8½"	2¾" / 7¼"
18"	End/Int.								4¼" / 10½"	3½" / 9"
20"	End/Int.									4¼" / 11"

- **Minimum bearing length:** 1½" at ends, 3½" at intermediate supports.
- Bearing across full beam width is required.
- Bearing lengths shown are based on bearing stress for TimberStrand® LSL, Microllam® LVL, or Parallam® PSL. If the support member's allowable bearing stress is lower (e.g., when bearing on a flat wood plate), bearing lengths may need to be increased.
- Table assumes maximum allowable uniform load. For other conditions, contact your Weyerhaeuser representative.
- Beams and headers require lateral support at bearing points and along the top (or compression edge) at 24" on-center or closer.
- **1¾"-thick members that are 16" or deeper must be used in multiple-ply units only.** Some exceptions allowed when using Weyerhaeuser software.



DO NOT overhang seat cuts on beams beyond inside face of support member

Beam Attachment at Bearing





OUR GUARANTEE

LIMITED LIFETIME PRODUCT WARRANTY

Weyerhaeuser provides limited lifetime warranties for all Trus Joist® branded products. Product information, installation instructions, and the full text of each product's limited warranty (including limitations and exclusions) are available on the Weyerhaeuser website, from your Weyerhaeuser representative, or by calling toll free: 888-453-8358.

Additionally, Weyerhaeuser offers limited warranties on a broad variety of its other products. To see complete details of all Weyerhaeuser product warranties, visit weyerhaeuser.com/woodproducts/warranty.

1.888.453.8358 WEYERHAEUSER.COM/WOODPRODUCTS



Form 1-2025 (November 2025) © Weyerhaeuser and Trus Joist are registered trademarks of Weyerhaeuser NR. © 2025 Weyerhaeuser NR Company. All rights reserved. Additional restrictions, limitations and exclusions apply to this warranty. Please visit weyerhaeuser.com/woodproducts/warranty for details.

For conditions not shown in this guide, or other assistance,
contact your Weyerhaeuser representative or call

1-888-453-8358

CODE EVALUATIONS, See

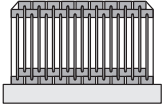
TJI® Joists	ICC-ES ESR-1153	CCMC 13132-R
TimberStrand® LSL	ICC-ES ESR-1387	CCMC 12627-R
Parallam® PSL	ICC-ES ESR-1387	CCMC 11161-R
Microllam® LVL	ICC-ES ESR-1387	CCMC 08675-R
TJI® Rim Board/TimberStrand® LSL rim board	ICC-ES ESR-1387	CCRR 0222C



WARNING: This product can expose you to chemicals including wood dust which are known to the State of California to cause cancer, and methanol, which are known to the State of California to cause birth defects or other reproductive harm. Drilling, sawing, sanding or machining wood products can expose you to wood dust. Avoid inhaling wood dust or use a dust mask or other safeguards for personal protection. For more information go to www.P65Warnings.ca.gov and www.P65Warnings.ca.gov/wood.

Safety data sheets for all Weyerhaeuser wood products can be found on our website at: weyerhaeuser.com/sustainability/environment/product-stewardship/safety-data-sheets.

PRODUCT STORAGE



Store and handle joists in vertical orientation.



Protect products from sun and water.

CAUTION: Wrap is slippery when wet or icy.

Align stickers (2x3 or larger) directly over support blocks.

Use support blocks (6x6 or larger) at 10' on-centre to keep products out of mud and water.



Have a damaged joist or beam? File a damage report online for prompt service from your regional technical office. Scan the QR code with your smartphone or go to weyerhaeuser.com/woodproducts/support.

Trus Joist
Weyerhaeuser



weyerhaeuser.com/woodproducts

November 2025 • Reorder TJI-9001

This document supersedes all previous versions. If this is more than one year old, contact your dealer or Weyerhaeuser rep.

▲ Weyerhaeuser, Javelin, Microllam, Parallam, TimberStrand, TJI, TJI, and Trus Joist are registered trademarks and Edge Gold is a trademark of Weyerhaeuser NR. © 2025 Weyerhaeuser NR Company. All rights reserved. Printed in the USA.