



**Ramset®**

**HILTI®-COMPATIBLE COLLATED .157" DIAMETER  
TRUE EMBEDMENT (TE) PINS**

**FOR USE IN HILTI® DX351 AND DX460 MAGAZINE TOOLS**



# **RAMSET® TRUE EMBEDMENT (TE) PINS**

## **NOW COLLATED FOR USE IN HILTI® POWDER-ACTUATED TOOLS**

**THE INDUSTRY'S MOST RELIABLE .157" DIAMETER PIN NOW COMES COLLATED IN 10-PIN STRIPS FOR USE IN HILTI® DX351 AND DX460 MAGAZINES. AVAILABLE IN PIN LENGTHS FROM 1/2 TO 1-1/4 INCHES.**

### **HEAVY-DUTY STRENGTH**

Attach metal track and clips to a variety of substrates including concrete, structural steel, CMU block and concrete-filled metal deck.

### **RELIABLE PERFORMANCE**

The Ramset® patented PowerPoint™ ballistic technology maximizes stick rates in harder substrates and minimizes the frequency of head snaps and magazine jams that commonly occur with lower quality pins.

### **TESTED AND APPROVED**

With holding values that meet or beat the Hilti® XU pins in most conditions, Ramset® TE pins are fully tested and approved by the International Code Council (ESR-1799), making it easy for engineers to evaluate and approve submittals.



**MEETS REQUIREMENTS FOR BUY AMERICA ACT & BUY AMERICAN ACT**



## SUPERIOR PERFORMANCE ACROSS A WIDER RANGE OF APPLICATIONS

Ramset® TE pins offer superior holding values across a wide range of base materials and are ICC approved for use in normalweight concrete, concrete on metal deck, hollow and grout-filled CMU block, as well as ASTM A36, A572, A992 structural steel.

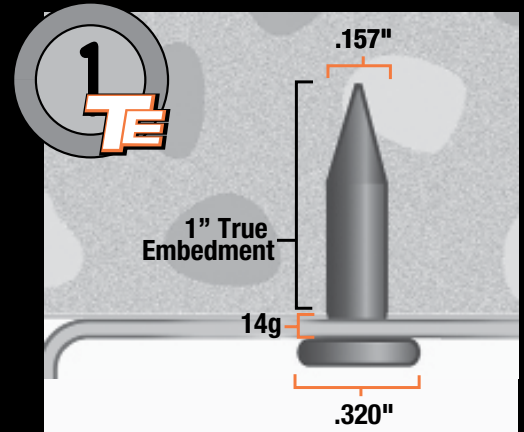
### SUITABLE BASE MATERIALS

- Normalweight concrete
- Lightweight concrete
- Lightweight concrete filled metal deck
- Hollow and grout-filled CMU block
- Structural steel (ASTM A36, A572, A992)

PART NUMBER	DESCRIPTION	PIN LENGTH (IN.)	EMBEDMENT LENGTH (IN.)	BOX QTY.	MASTER CARTON QTY.
TE12X	1/2" TE Pin in Hilti® Compatible Strip	.57	1/2	1,000	5,000
TE34X	3/4" TE Pin in Hilti® Compatible Strip	.824	3/4	1,000	5,000
TE100X	1" TE Pin in Hilti® Compatible Strip	1.074	1	1,000	5,000
TE114X	1-1/4" TE Pin in Hilti® Compatible Strip	1.324	1-1/4	1,000	5,000

## SIMPLIFY PIN SELECTION & INSPECTION

The exclusive 'True Embedment' design makes pin selection easy and error-free. The pin length shown on the box is the embedment you will get when the pin is fully embedded in the substrate.



### TRUE EMBEDMENT FEATURE

Ramset® TE pins are designed with additional shank length to compensate for the thickness of the material being attached. This design eliminates the need to use a 1-1/4" pin to achieve a 1" embedment.



### EMBEDMENT DEPTH IDENTIFIER

The nominal pin length and embedment depth is clearly stamped on the head of each pin for easy inspection and verification after installation.



**Ramset**

FOR MORE INFORMATION VISIT [RAMSET.COM](http://RAMSET.COM)