

We maintain only the highest standards in the materials, production techniques and quality control measures used to manufacture our fasteners, assuring consistent, optimum quality in every fastener.


### FASTENER TERMINOLOGY SUFFIX

K = Knurled                      X = Collated                      C = 100 count  
 B = Black                        SD = Washer                      M = 1000 count  
 E = Ramguard                    TH = Top Hat


### ADVANTAGES

ITW Ramset powder actuated fasteners are specifically fabricated to meet the exacting requirements of toughness and durability that enable them to penetrate dense concrete and structural quality steel. All Ramset fasteners with .300 head will fit into tools with 8mm barrels.


### SELECTION CHART

| <b>BLACK TRACK PINS</b>   |             | Designed for use in concrete and structural steel applications. Available in 100-pack or 1000-pack per box. |        |            |       |              |       |                   |
|---|-------------|---|--------|------------|-------|--------------|-------|-------------------|
|  | PART NUMBER | SHANK LENGTH  |        | R25 / RA27 | SA270 | XT540 / RA54 | COBRA | MASTER CARTON QTY |
|   |             | IN.   | (MM)   |            |       |              |       |                   |
|   | 1506B       | 3/4   | (19.1) | .          | .     | .            | .     | 5000              |


*Shank diameter = .145      Head diameter = .300*

| <b>PLATED PINS</b>  |             | Designed for use in concrete and structural steel applications. 100 per box. |        |            |       |              |       |                   |
|---|-------------|--|--------|------------|-------|--------------|-------|-------------------|
|  | PART NUMBER | SHANK LENGTH   |        | R25 / RA27 | SA270 | XT540 / RA54 | COBRA | MASTER CARTON QTY |
|   |             | IN.  | (MM)   |            |       |              |       |                   |
|   | 1503K       | 1/2 Knurled  | (12.7) | .          | .     | .            | .     | 5000              |
|   | 1506        | 3/4  | (19.1) | .          | .     | .            | .     | 5000              |
|   | 1508        | 1  | (25.4) | .          | .     | .            | .     | 5000              |
|   | 1510        | 1-1/4  | (31.8) | .          | .     | .            | .     | 1000              |
|   | 1512        | 1-1/2  | (38.1) | .          | .     | .            | .     | 1000              |
|   | 1514        | 2  | (50.8) | .          | .     | .            | .     | 800               |
|   | 1516        | 2-1/2  | (63.5) | .          | .     | .            | .     | 800               |
|   | 1524        | 3  | (76.2) | .          | .     | .            | .     | 600               |

*Shank diameter = .145      Head diameter = .300*

| <b>WASHERED PINS</b>  |             | Washer increases bearing surface against the material to be fastened. 100 per box. 16 gage metal washer. 7/8" diameter washer. |        |            |       |              |       |                   |
|---|-------------|--|--------|------------|-------|--------------|-------|-------------------|
|  | PART NUMBER | SHANK LENGTH   |        | R25 / RA27 | SA270 | XT540 / RA54 | COBRA | MASTER CARTON QTY |
|   |             | IN.  | (MM)   |            |       |              |       |                   |
|   | 1506SD      | 3/4  | (19.1) | .          | .     | .            | .     | 1000              |
|   | 1508SD      | 1  | (25.4) | .          | .     | .            | .     | 1000              |
|   | 1510SD      | 1-1/4  | (31.8) | .          | .     | .            | .     | 1000              |
|   | 1512SD      | 1-1/2  | (38.1) | .          | .     | .            | .     | 1000              |
|   | 1514SD      | 2  | (50.8) | .          | .     | .            | .     | 1000              |
|   | 1516SDC     | 2-1/2  | (63.5) | .          | .     | .            | .     | 600               |
|   | 1524SDP*    | 3  | (76.2) | .          | .     | .            | .     | 600               |

*\*Square washer indicates 3" pin has been installed      Shank diameter = .145      Head diameter = .300*

| <b>RAMGUARD PINS</b>   |             | Coated to improve corrosion resistance in treated lumber and other applications. 100 per box. Recommended for treated lumber applications. |        |            |       |              |       |                   |
|--|-------------|--|--------|------------|-------|--------------|-------|-------------------|
|  | PART NUMBER | SHANK LENGTH   |        | R25 / RA27 | SA270 | XT540 / RA54 | COBRA | MASTER CARTON QTY |
|  |             | IN.  | (MM)   |            |       |              |       |                   |
|  | 1516E       | 2-1/2  | (63.5) | .          | .     | .            | .     | 800               |
|  | 1516SDE     | 2-1/2  | (63.5) | .          | .     | .            | .     | 600               |
|  | 1524SDE*    | 3  | (76.2) | .          | .     | .            | .     | 600               |

*Shank diameter = .145      \*Square washer indicates 3" pin has been installed      \*1500 Series Coated with RamGuard      Head diameter = .300*

## SELECTION CHART

### POWERPOINT PINS

Used for fastening into harder steel and concrete. Premium steel and hard concrete pin. 100 per box.

| PART NUMBER | SHANK LENGTH |        | R25 / RA27 | SA270 | XT540 / RA54 | COBRA | MASTER CARTON QTY |
|-------------|--------------|--------|------------|-------|--------------|-------|-------------------|
|             | IN.          | (MM)   |            |       |              |       |                   |
| SP12        | 1/2          | (12.7) | •          | •     | •            | •     | 5000              |
| SP58        | 5/8          | (15.9) | •          | •     | •            | •     | 5000              |
| SP34        | 3/4          | (19.1) | •          | •     | •            | •     | 5000              |

Shank diameter = .150 Head diameter = .300

### POWERPOINT STEP SHANK PINS

Used for fastening into harder steel and concrete. Premium steel and hard concrete pin. Pin for fastening into harder steel and concrete. 100 per box. (M100BB 500 per jar)

| PART NUMBER | SHANK LENGTH |        | R25 / RA27 | SA270 | XT540 / RA54 | COBRA | MASTER CARTON QTY |
|-------------|--------------|--------|------------|-------|--------------|-------|-------------------|
|             | IN.          | (MM)   |            |       |              |       |                   |
| M100BB      | 1            | (25.4) | •          | •     | •            | •     | 4000              |
| SP114       | 1-1/4        | (31.8) | •          | •     | •            | •     | 1000              |
| SP178       | 1-7/8        | (47.6) | •          | •     | •            | •     | 1000              |

Shank diameter = .150/.180 Head diameter = .300 M100BB shank diameter = .125/.150 with 1/2" washer

### POWERPOINT TOP HAT PIN

Used for general purpose fastening to steel. Plated pin with top hat. 100 per box.

| PART NUMBER | SHANK LENGTH |      | R25 / RA27 | SA270 | XT540 / RA54 | COBRA | MASTER CARTON QTY |
|-------------|--------------|------|------------|-------|--------------|-------|-------------------|
|             | IN.          | (MM) |            |       |              |       |                   |
| SP58TH      | 5/8"         | 15.8 | •          | •     | •            | •     | 5000              |

Shank diameter = .150 Head diameter = .300

### TRUE EMBEDMENT PINS

The Ramset .157 True Embedment Pin is sized to provide you with True Embedment depths in track up to 14 gauge. Sized approximately 1/16" longer than nominal length to provide a True Embedment. 100 per box.

| PART NUMBER | PIN LENGTH |        | EMBEDMENT LENGTH |        | R25 / RA27 | VIPER | SA270 | COBRA | XT540 / RA54 | MASTER CARTON QTY |
|-------------|------------|--------|------------------|--------|------------|-------|-------|-------|--------------|-------------------|
|             | IN.        | (MM)   | IN.              | (MM)   |            |       |       |       |              |                   |
| TE12        | 9/16       | (13.8) | 1/2              | (12.7) | •          | •     | •     | •     | •            | 5000              |
| TE34        | 13/16      | (20.6) | 3/4              | (19.1) | •          | •     | •     | •     | •            | 5000              |
| TE100       | 1-1/16     | (27)   | 1                | (25.4) | •          | •     | •     | •     | •            | 5000              |
| TE114       | 1-5/16     | (33.3) | 1-1/4            | (31.8) | •          | •     | •     | •     | •            | 1000              |
| TE112       | 1-9/16     | (39.7) | 1-1/2            | (38.1) | •          | •     | •     | •     | •            | 1000              |

Shank diameter = .157 Head diameter = .320

### TRUE EMBEDMENT PINS

10-pin collated strips for the Ramset RA27 with RA27MAG and RA54 with RA54MAG.

| PART NUMBER | PIN LENGTH |        | EMBEDMENT LENGTH |        | Master Carton Qty |
|-------------|------------|--------|------------------|--------|-------------------|
|             | IN.        | (MM)   | IN.              | (MM)   |                   |
| TE12X       | 9/16       | (13.8) | 1/2              | (12.7) | 5000              |
| TE34X       | 13/16      | (20.6) | 3/4              | (19.1) | 5000              |
| TE100X      | 1-1/16     | (27)   | 1                | (25.4) | 5000              |
| TE114X      | 1-5/16     | (33.3) | 1-1/4            | (31.8) | 5000              |
| TE112X      | 1-9/16     | (39.7) | 1-1/2            | (38.1) | 2500              |

Shank diameter = .157 Head diameter = .320

### XT540 COLLATED TRUE EMBEDMENT PINS

10-Pin Collated Strips for the XT540 with XT MAG only.

| PART NUMBER | PIN LENGTH |        | EMBEDMENT LENGTH |        | MASTER CARTON QTY |
|-------------|------------|--------|------------------|--------|-------------------|
|             | IN.        | (MM)   | IN.              | (MM)   |                   |
| TE12XT      | 9/16       | (13.8) | 1/2              | (12.7) | 5000              |
| TE34XT      | 13/16      | (20.6) | 3/4              | (19.1) | 5000              |
| TE100XT     | 1-1/16     | (27)   | 1                | (25.4) | 5000              |
| TE114XT     | 1-5/16     | (33.3) | 1-1/4            | (31.8) | 5000              |

Shank diameter = .157 Head diameter = .320 \*Cannot be used in other manufacturer's magazines



## SELECTION CHART

### CEILING CLIP ASSEMBLIES

Designed for suspending ceilings and other overhead applications. Pin preassembled to a Zinc Plated 14 gage 45° clip. 1000 per box.

| PART NUMBER | PIN LENGTH |        | VIPER | SA270 / RA27 | COBRA | XT540 / RA54 | MASTER CARTON QTY |
|-------------|------------|--------|-------|--------------|-------|--------------|-------------------|
|             | IN.        | (MM)   |       |              |       |              |                   |
| SDC100      | 1          | (25.4) | •     | •            | •     | •            | 1000              |
| SDC125*     | 1-1/4      | (31.8) | •     | •            | •     | •            | 1000              |

\*Available in 100-Pack (P/N: SDC125C) Shank diameter = .145 Head diameter = .300 Hole Dia: .330"

### PREMIUM PINS WITH CEILING CLIPS

Designed for difficult overhead applications. Pin preassembled to a zinc plated 14 gage 90° angle clip. 1000 per box

| PART NUMBER | PIN LENGTH |        | VIPER | SA270 / RA27 | COBRA | XT540 / RA54 | Master Carton Qty |
|-------------|------------|--------|-------|--------------|-------|--------------|-------------------|
|             | IN.        | (MM)   |       |              |       |              |                   |
| SPC78       | 7/8        | (22.2) | •     | •            | •     | •            | 1000              |
| SPC114      | 1-1/4      | (31.8) | •     | •            | •     | •            | 1000              |

Shank diameter = .150 (SPC114 = .150/.180) Head diameter = .300 Hole diameter = 5/16"

### FASTENER ANGLE CLIP

General purpose 3/4" wide 90° angle clip. 14 gage angle clip. 100 zinc plated clips per box.

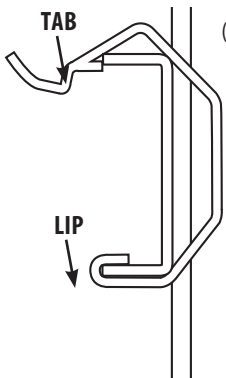
| PART NUMBER | DESCRIPTION         | MASTER CARTON QTY |
|-------------|---------------------|-------------------|
| 1202CF      | Angle clip (no pin) | 1000              |

Hole diameter: 5/16" & 13/64"

### LATHER CLIP CHANNEL HANGER

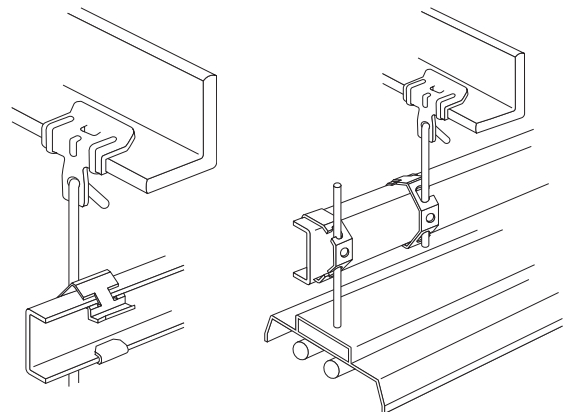
| PART NUMBER | DESCRIPTION   | MASTER CARTON QTY |
|-------------|---|-------------------|
| LC112       | 1-1/2" Lathers Clip Channel Hanger for 1/4" Plain Rod | 100               |

## INSTALLATION



(Attached above clip)

1. Compress the clip and position on the rod at the desired location.
2. To install the channel, place the flange of the channel in the lip of the clip and rotate the channel toward the rod into position (see picture).
3. Use with cold rolled channel, with flange width 7/16" to 5/8" and hot rolled channel sizes 0.85#/ft and 0.105#/ft.
4. Static load limit, with a 3 to 1 safety factor, equals 160 lbs. Clip was tested to 480 lbs.
5. UL Tested



## SELECTION CHART

| <b>HYBRID PIN</b>  |   | For general purpose attachments to concrete.<br>PowerPoint step shank pin pre-assembled to 1/2" washer. 500 per jar. |                               |  |
|--------------------|---|--|-------------------------------|--|
| <b>PART NUMBER</b> | <b>DESCRIPTION</b>  | <b>ALL POWDER TOOLS</b>  | <b>Master Carton Quantity</b> |  |
| M100BB             | 1" PowerPoint step shank pin with 1/2" domed washer & flute | •  | 4000                          |  |

Shank diameter = .125/.150 Head diameter = .300

| <b>ONE HOLE CONDUIT STRAP</b> |                                      | Used to attach EMT conduit or armored cable to concrete.<br>PowerPoint fastener pre-assembled to a 16 gage conduit strap. 100 per box. |                               |  |
|-------------------------------|--------------------------------------|--|-------------------------------|--|
| <b>PART NUMBER</b>            | <b>DESCRIPTION</b>                   | <b>ALL POWDER TOOLS</b>  | <b>Master Carton Quantity</b> |  |
| 38HSS10*                      | 3/8" Hole strap with w/1 premium pin | • (except SA270 and Cobra)   | 500                           |  |
| 34HSS10                       | 3/4" Hole strap with w/1 premium pin | •  | 500                           |  |

Shank diameter = .125/.150 Head diameter = .300 38HSS10 = 18 gage

| <b>THREADED ROD HANGER</b> |                                  | For suspended ceilings, piping, and other items using 1/4" or 3/8" threaded rod.<br>PowerPoint fastener pre-assembled to a 16 gage threaded rod hanger. 100 per box. |                               |  |
|----------------------------|----------------------------------|--|-------------------------------|--|
| <b>PART NUMBER</b>         | <b>DESCRIPTION</b>               | <b>ALL POWDER TOOLS</b>  | <b>Master Carton Quantity</b> |  |
| 14TRHSS10                  | 1/4" Rod hanger w/1" premium pin | •  | 500                           |  |
| 38TRHSS10                  | 3/8" Rod hanger w/1" premium pin | •  | 500                           |  |

Shank diameter = .125/.150 Head diameter = .300