



Ramset®

**HILTI®-COMPATIBLE COLLATED .157" DIAMETER
TRUE EMBEDMENT (TE) PINS**

FOR USE IN HILTI® DX351 AND DX460 MAGAZINE TOOLS



RAMSET® TRUE EMBEDMENT (TE) PINS

NOW COLLATED FOR USE IN HILTI® POWDER-ACTUATED TOOLS

THE INDUSTRY'S MOST RELIABLE .157" DIAMETER PIN NOW COMES COLLATED IN 10-PIN STRIPS FOR USE IN HILTI® DX351 AND DX460 MAGAZINES. AVAILABLE IN PIN LENGTHS FROM 1/2 TO 1-1/4 INCHES.

HEAVY-DUTY STRENGTH

Attach metal track and clips to a variety of substrates including concrete, structural steel, CMU block and concrete-filled metal deck.

RELIABLE PERFORMANCE

The Ramset® patented PowerPoint™ ballistic technology maximizes stick rates in harder substrates and minimizes the frequency of head snaps and magazine jams that commonly occur with lower quality pins.

TESTED AND APPROVED

With holding values that meet or beat the Hilti® XU pins in most conditions, Ramset® TE pins are fully tested and approved by the International Code Council (ESR-1799), making it easy for engineers to evaluate and approve submittals.



MEETS REQUIREMENTS FOR BUY AMERICA ACT & BUY AMERICAN ACT



SUPERIOR PERFORMANCE ACROSS A WIDER RANGE OF APPLICATIONS

Ramset® TE pins offer superior holding values across a wide range of base materials and are ICC approved for use in normalweight concrete, concrete on metal deck, hollow and grout-filled CMU block, as well as ASTM A36, A572, A992 structural steel.

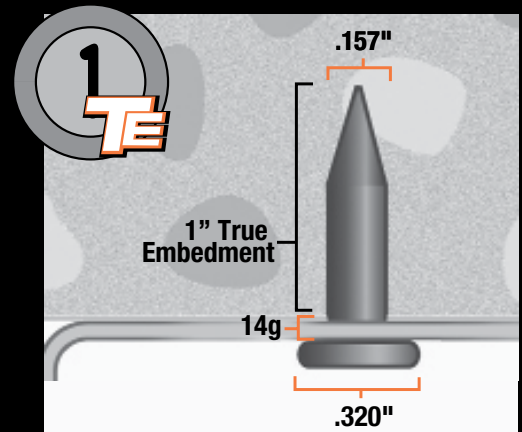
SUITABLE BASE MATERIALS

- Normalweight concrete
- Lightweight concrete
- Lightweight concrete filled metal deck
- Hollow and grout-filled CMU block
- Structural steel (ASTM A36, A572, A992)

PART NUMBER	DESCRIPTION	PIN LENGTH (IN.)	EMBEDMENT LENGTH (IN.)	BOX QTY.	MASTER CARTON QTY.
TE12X	1/2" TE Pin in Hilti® Compatible Strip	.57	1/2	1,000	5,000
TE34X	3/4" TE Pin in Hilti® Compatible Strip	.824	3/4	1,000	5,000
TE100X	1" TE Pin in Hilti® Compatible Strip	1.074	1	1,000	5,000
TE114X	1-1/4" TE Pin in Hilti® Compatible Strip	1.324	1-1/4	1,000	5,000

SIMPLIFY PIN SELECTION & INSPECTION

The exclusive 'True Embedment' design makes pin selection easy and error-free. The pin length shown on the box is the embedment you will get when the pin is fully embedded in the substrate.



TRUE EMBEDMENT FEATURE

Ramset® TE pins are designed with additional shank length to compensate for the thickness of the material being attached. This design eliminates the need to use a 1-1/4" pin to achieve a 1" embedment.



EMBEDMENT DEPTH IDENTIFIER

The nominal pin length and embedment depth is clearly stamped on the head of each pin for easy inspection and verification after installation.



Ramset

FOR MORE INFORMATION VISIT RAMSET.COM