

We maintain only the highest standards in the materials, production techniques and quality control measures used to manufacture our fasteners, assuring consistent, optimum quality in every fastener.

FASTENER TERMINOLOGY SUFFIX

K = Knurled X = Collated C = 100 count
 B = Black SD = Washer M = 1000 count
 E = Ramguard TH = Top Hat

ADVANTAGES

ITW Ramset powder actuated fasteners are specifically fabricated to meet the exacting requirements of toughness and durability that enable them to penetrate dense concrete and structural quality steel. All Ramset fasteners with .300 head will fit into tools with 8mm barrels.

SELECTION CHART

BLACK TRACK PINS



Designed for use in concrete and structural steel applications. Available in 100-pack or 1000-pack per box.

PART NUMBER	SHANK LENGTH		R25 / RA27	SA270	XT540 / RA54	COBRA	MASTER CARTON QTY
	IN.	(MM)					
1506B	3/4	(19.1)	•	•	•	•	5000

Shank diameter = .145 Head diameter = .300

PLATED PINS



Designed for use in concrete and structural steel applications. 100 per box.

PART NUMBER	SHANK LENGTH		R25 / RA27	SA270	XT540 / RA54	COBRA	MASTER CARTON QTY
	IN.	(MM)					
1503K	1/2 Knurled	(12.7)	•	•	•	•	5000
1506	3/4	(19.1)	•	•	•	•	5000
1508	1	(25.4)	•	•	•	•	5000
1510	1-1/4	(31.8)	•	•	•	•	1000
1512	1-1/2	(38.1)	•	•	•	•	1000
1514	2	(50.8)	•	•	•	•	800
1516	2-1/2	(63.5)	•	•	•	•	800
1524	3	(76.2)	•	•	•	•	600

Shank diameter = .145 Head diameter = .300

WASHERED PINS



Washer increases bearing surface against the material to be fastened. 100 per box. 16 gage metal washer. 7/8" diameter washer.

PART NUMBER	SHANK LENGTH		R25 / RA27	SA270	XT540 / RA54	COBRA	MASTER CARTON QTY
	IN.	(MM)					
1506SD	3/4	(19.1)	•	•	•	•	1000
1508SD	1	(25.4)	•	•	•	•	1000
1510SD	1-1/4	(31.8)	•	•	•	•	1000
1512SD	1-1/2	(38.1)	•	•	•	•	1000
1514SD	2	(50.8)	•	•	•	•	1000
1516SDC	2-1/2	(63.5)	•	•	•	•	600
1524SDP*	3	(76.2)	•	•	•	•	600

*Square washer indicates 3" pin has been installed Shank diameter = .145 Head diameter = .300

RAMGUARD PINS



Coated to improve corrosion resistance in treated lumber and other applications. 100 per box. Recommended for treated lumber applications.

PART NUMBER	SHANK LENGTH		R25 / RA27	SA270	XT540 / RA54	COBRA	MASTER CARTON QTY
	IN.	(MM)					
1516E	2-1/2	(63.5)	•	•	•	•	800
1516SDE	2-1/2	(63.5)	•	•	•	•	600
1524SDE*	3	(76.2)	•	•	•	•	600

Shank diameter = .145 *Square washer indicates 3" pin has been installed *1500 Series Coated with RamGuard Head diameter = .300

SELECTION CHART

POWERPOINT PINS

Used for fastening into harder steel and concrete. Premium steel and hard concrete pin. 100 per box.



PART NUMBER	SHANK LENGTH		R25 / RA27	SA270	XT540 / RA54	COBRA	MASTER CARTON QTY
	IN.	(MM)					
SP12	1/2	(12.7)	•	•	•	•	5000
SP58	5/8	(15.9)	•	•	•	•	5000
SP34	3/4	(19.1)	•	•	•	•	5000

Shank diameter = .150 Head diameter = .300

POWERPOINT STEP SHANK PINS

Used for fastening into harder steel and concrete. Premium steel and hard concrete pin. Pin for fastening into harder steel and concrete. 100 per box. (M100BB 500 per jar)



PART NUMBER	SHANK LENGTH		R25 / RA27	SA270	XT540 / RA54	COBRA	MASTER CARTON QTY
	IN.	(MM)					
M100BB	1	(25.4)	•	•	•	•	4000
SP114	1-1/4	(31.8)	•	•	•	•	1000
SP178	1-7/8	(47.6)	•	•	•	•	1000

Shank diameter = .150/.180 Head diameter = .300 M100BB shank diameter = .125/.150 with 1/2" washer

POWERPOINT TOP HAT PIN

Used for general purpose fastening to steel. Plated pin with top hat. 100 per box.



PART NUMBER	SHANK LENGTH		R25 / RA27	SA270	XT540 / RA54	COBRA	MASTER CARTON QTY
	IN.	(MM)					
SP58TH	5/8"	15.8	•	•	•	•	5000

Shank diameter = .150 Head diameter = .300

TRUE EMBEDMENT PINS

The Ramset .157 True Embedment Pin is sized to provide you with True Embedment depths in track up to 14 gauge. Sized approximately 1/16" longer than nominal length to provide a True Embedment. 100 per box.



PART NUMBER	PIN LENGTH		EMBEDMENT LENGTH		R25 / RA27	VIPER	SA270	COBRA	XT540 / RA54	MASTER CARTON QTY
	IN.	(MM)	IN.	(MM)						
TE12	9/16	(13.8)	1/2	(12.7)	•	•	•	•	•	5000
TE34	13/16	(20.6)	3/4	(19.1)	•	•	•	•	•	5000
TE100	1-1/16	(27)	1	(25.4)	•	•	•	•	•	5000
TE114	1-5/16	(33.3)	1-1/4	(31.8)	•	•	•	•	•	1000
TE112	1-9/16	(39.7)	1-1/2	(38.1)	•	•	•	•	•	1000

Shank diameter = .157 Head diameter = .320

TRUE EMBEDMENT PINS

10-pin collated strips for the Ramset RA27 with RA27MAG and RA54 with RA54MAG.

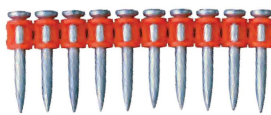


PART NUMBER	PIN LENGTH		EMBEDMENT LENGTH		Master Carton Qty
	IN.	(MM)	IN.	(MM)	
TE12X	9/16	(13.8)	1/2	(12.7)	5000
TE34X	13/16	(20.6)	3/4	(19.1)	5000
TE100X	1-1/16	(27)	1	(25.4)	5000
TE114X	1-5/16	(33.3)	1-1/4	(31.8)	5000
TE112X	1-9/16	(39.7)	1-1/2	(38.1)	2500

Shank diameter = .157 Head diameter = .320

XT540 COLLATED TRUE EMBEDMENT PINS

10-Pin Collated Stips for the XT540 with XT MAG only.



PART NUMBER	PIN LENGTH		EMBEDMENT LENGTH		MASTER CARTON QTY
	IN.	(MM)	IN.	(MM)	
TE12XT	9/16	(13.8)	1/2	(12.7)	5000
TE34XT	13/16	(20.6)	3/4	(19.1)	5000
TE100XT	1-1/16	(27)	1	(25.4)	5000
TE114XT	1-5/16	(33.3)	1-1/4	(31.8)	5000

Shank diameter = .157 Head diameter = .320 *Cannot be used in other manufacturer's magazines



SELECTION CHART

CEILING CLIP ASSEMBLIES

Designed for suspending ceilings and other overhead applications. Pin preassembled to a Zinc Plated 14 gage 45° clip. 1000 per box.

PART NUMBER	PIN LENGTH		VIPER	SA270 / RA27	COBRA	XT540 / RA54	MASTER CARTON QTY
	IN.	(MM)					
SDC100	1	(25.4)	•	•	•	•	1000
SDC125*	1-1/4	(31.8)	•	•	•	•	1000

*Available in 100-Pack (P/N: SDC125C) Shank diameter = .145 Head diameter = .300 Hole Dia: .330"

PREMIUM PINS WITH CEILING CLIPS

Designed for difficult overhead applications. Pin preassembled to a zinc plated 14 gage 90° angle clip. 1000 per box

PART NUMBER	PIN LENGTH		VIPER	SA270 / RA27	COBRA	XT540 / RA54	Master Carton Qty
	IN.	(MM)					
SPC78	7/8	(22.2)	•	•	•	•	1000
SPC114	1-1/4	(31.8)	•	•	•	•	1000

Shank diameter = .150 (SPC114 = .150/.180) Head diameter = .300 Hole diameter = 5/16"

FASTENER ANGLE CLIP

General purpose 3/4" wide 90° angle clip. 14 gage angle clip. 100 zinc plated clips per box.

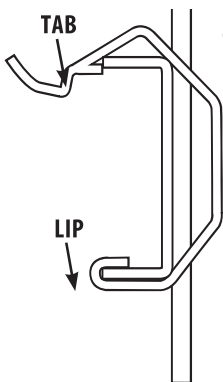
PART NUMBER	DESCRIPTION	MASTER CARTON QTY
1202CF	Angle clip (no pin)	1000

Hole diameter: 5/16" & 13/64"

LATHER CLIP CHANNEL HANGER

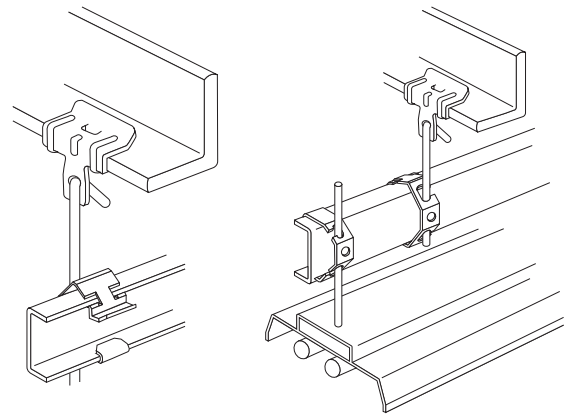
PART NUMBER	DESCRIPTION	MASTER CARTON QTY
LC112	1-1/2" Lathers Clip Channel Hanger for 1/4" Plain Rod	100

INSTALLATION



(Attached above clip)

1. Compress the clip and position on the rod at the desired location.
2. To install the channel, place the flange of the channel in the lip of the clip and rotate the channel toward the rod into position (see picture).
3. Use with cold rolled channel, with flange width 7/16" to 5/8" and hot rolled channel sizes 0.85#/ft and 0.105#/ft.
4. Static load limit, with a 3 to 1 safety factor, equals 160 lbs. Clip was tested to 480 lbs.
5. UL Tested



SELECTION CHART

HYBRID PIN		For general purpose attachments to concrete. PowerPoint step shank pin pre-assembled to 1/2" washer. 500 per jar.		
PART NUMBER	DESCRIPTION	ALL POWDER TOOLS	Master Carton Quantity	
M100BB	1" PowerPoint step shank pin with 1/2" domed washer & flute	•	4000	

Shank diameter = .125/.150 Head diameter = .300

ONE HOLE CONDUIT STRAP		Used to attach EMT conduit or armored cable to concrete. PowerPoint fastener pre-assembled to a 16 gage conduit strap. 100 per box.		
PART NUMBER	DESCRIPTION	ALL POWDER TOOLS	Master Carton Quantity	
38HSS10*	3/8" Hole strap with w/1 premium pin	• (except SA270 and Cobra)	500	
34HSS10	3/4" Hole strap with w/1 premium pin	•	500	

Shank diameter = .125/.150 Head diameter = .300 38HSS10 = 18 gage

THREADED ROD HANGER		For suspended ceilings, piping, and other items using 1/4" or 3/8" threaded rod. PowerPoint fastener pre-assembled to a 16 gage threaded rod hanger. 100 per box.		
PART NUMBER	DESCRIPTION	ALL POWDER TOOLS	Master Carton Quantity	
14TRHSS10	1/4" Rod hanger w/1" premium pin	•	500	
38TRHSS10	3/8" Rod hanger w/1" premium pin	•	500	

Shank diameter = .125/.150 Head diameter = .300