



ICC-ES Evaluation Report ESR-3903

Reissued December 2021

This report is subject to renewal December 2023.

DIVISION: 03 00 00—CONCRETE
Section: 03 16 00—Concrete Anchors

DIVISION: 05 00 00—METALS
Section: 05 05 19—Post-Installed Concrete Anchors

REPORT HOLDER:

ITW RED HEAD

EVALUATION SUBJECT:

**ITW RED HEAD A7+ ADHESIVE ANCHORING SYSTEMS
FOR CRACKED AND UNCRACKED CONCRETE**

1.0 EVALUATION SCOPE

Compliance with the following codes:

- 2018, 2015, 2012 and 2009 *International Building Code*® (IBC)
- 2018, 2015, 2012 and 2009 *International Residential Code*® (IRC)
- 2013 *Abu Dhabi International Building Code* (ADIBC)†

†The ADIBC is based on the 2009 IBC. 2009 IBC code sections referenced in this report are the same sections in the ADIBC.

For evaluation for compliance with codes adopted by Los Angeles Department of Building and Safety (LADBS), see [ESR-3903 LABC and LARC Supplement](#).

Property evaluated:

Structural

2.0 USES

Each Red Head A7+ Adhesive Anchoring System is a post-installed anchorage system used as anchorage in cracked and uncracked normalweight concrete having a specified compressive strength, f'_c , of 2500 psi to 8,500 psi (17.2 MPa to 58.6 MPa) [minimum of 24 MPa is required under ADIBC Appendix L, Section 5.1.1] to resist static, wind or earthquake (for use in structures assigned to Seismic Design Categories A through F) tension and shear loads.

The anchoring systems comply with requirements for anchors as described in Section 1901.3 of the 2018 and 2015 IBC, Section 1909 of the 2012 IBC and is an alternative to cast-in-place anchors described in Section 1908 of the 2012 IBC, and Sections 1911 and 1912 of the 2009. The anchoring systems may also be used where an

engineered design is submitted in accordance with Section R301.1.3 of the IRC.

3.0 DESCRIPTION

3.1 General:

Each Red Head Epcon A7+ Adhesive Anchoring System consists of a two-component, high-strength, fast-cure, structural adhesive, and anchor elements (continuously threaded rods or deformed steel reinforcing bars) installed in normalweight concrete. The primary components of the ITW Red Head A7+ Adhesive Anchoring Systems supplied by the report holder are shown in Figure 1 of this report.

The manufacturer's printed installation instructions (MPII) are included with the adhesive packaging and are replicated in Figure 3 of this report.

3.2 Materials:

3.2.1 Red Head A7+ Adhesive: The primary component of Red Head A7+ Anchoring Systems is a two-part vinyl ester packaged in a dual-chamber cartridge at a volumetric ratio of 10:1. The cartridge is available in 28-ounce (side-by-side), 9.5-ounce (coaxial), and 5-ounce (coaxial) sizes. The adhesive is dispensed through a static mixing nozzle which attaches to the cartridge. The original, unopened cartridge has a shelf life of 18 months, as indicated by the "best used by" date stamped onto the cartridge, when stored in a cool, dry, ventilated area and in accordance with Figure 3.

3.2.2 Hole Cleaning Equipment: Hole cleaning equipment consists of wire brushes, as shown in Figures 1 and 3, and a compressed air nozzle with extension.

3.2.3 Dispensing Tools: Red Head A7+ Adhesive must be dispensed with manual or pneumatic dispensing tools provided by ITW Red Head, as shown in Figure 1.

3.2.4 Anchor Elements:

3.2.4.1 Threaded Rods: The continuously threaded rods must range from $\frac{3}{8}$ inch through $1\frac{1}{4}$ inches (9.5 mm through 31.75 mm) in diameter. Carbon steel threaded rods must comply with either ASTM A36 [minimum $f_{uta} = 58,000$ psi (400 MPa)] or ASTM A193, Grade B7 [minimum $f_{uta} = 125,000$ psi (860 MPa)]. Stainless steel threaded rods must comply with ASTM F593 (Alloy Type 300, CW1 and CW2) [minimum $f_{uta} = 95,000$ psi (655 MPa) for CW1, and $f_{uta} = 80,000$ psi (552 MPa) for CW2]. Table 1 prescribes steel design information for the threaded rods. Carbon steel threaded rods must be furnished with a minimum 0.0002-inch-thick (5 μ m) zinc electroplated coating complying with ASTM B633 SC1 or must be

hot-dipped galvanized complying with ASTM A153, Class C or D. Threaded steel rods must be straight and free from indentations or other defects along their length.

3.2.4.2 Steel Reinforcing Bars: Steel reinforcing bars must be deformed reinforcing bars as described in Table 4 of this report. The embedded portions of reinforcing bars must be straight, and free of mill scale, rust, mud, oil, and other coatings that may impair the bond with the adhesive. Reinforcing bars must not be bent after installation, except as set forth in ACI 318-14 Section 26.6.3.1 (b) or ACI 318-11 Section 7.3.2, as applicable, with the additional condition that the bars must be bent cold, and heating of reinforcing bars to facilitate field bending is not permitted.

3.2.4.3 Ductility: In accordance with ACI 318-14 Section 2.3 or ACI 318-11 Appendix D Section D.1, as applicable, in order for a steel element to be considered ductile, the tested elongation must be at least 14 percent and reduction of area must be at least 30 percent. Steel elements with a tested elongation of less than 14 percent or a reduction of area of less than 30 percent, or both, are considered brittle. Steel anchor elements prescribed in Tables 1 and 4 of this evaluation report are considered ductile elements. Where values are nonconforming or unstated, the steel must be considered brittle.

3.3 Concrete:

Normalweight concrete must comply with Sections 1903 and 1905 of the IBC. The specified compressive strength of the concrete must be from 2,500 psi to 8,500 psi (17.2 MPa to 58.6 MPa) [minimum of 24 MPa is required under ADIBC Appendix L, Section 5.1.1].

4.0 DESIGN AND INSTALLATION

4.1 Strength Design:

4.1.1 General: The design strength of anchor systems under the 2018 and 2015 IBC, as well as the 2018 and 2015 IRC must be determined in accordance with ACI 318-14 and this report. The design strength of anchors under the 2012 and 2009 IBC, as well as the 2012 and 2009 IRC, must be determined in accordance with ACI 318-11 and this report.

A design example in accordance with the 2018 and 2015 IBC based on ACI 318-14 is provided in Figure 2 of this report.

Design parameters are based on ACI 318-14 for use with the 2018 and 2015 IBC, and the ACI 318-11 for use with the 2012 and 2009 IBC unless noted otherwise in this report.

The strength design of anchor systems must comply with ACI 318-14 17.3.1 or ACI 318-11 D.4.1, as applicable, except as required in ACI 318-14 17.2.3 or ACI 318-11 D.3.3, as applicable. Design parameters are provided in Tables 1 through 6. Strength reduction factors, ϕ , as given in ACI 318-14 17.3.3 or ACI 318-11 D.4.3, as applicable, must be used for load combinations calculated in accordance with Section 1605.2 of the IBC or ACI 318-14 5.3 or ACI 318-11 9.2, as applicable. Strength reduction factors, ϕ , as described in ACI 318-11 D.4.4, must be used for load combinations calculated in accordance with ACI 318-11 Appendix C.

4.1.2 Static Steel Strength in Tension: The nominal static steel strength of a single anchor in tension, N_{sa} , in accordance with ACI 318-14 17.4.1.2 or ACI 318-11 D.5.1.2, as applicable, and the associated strength reduction factors, ϕ , in accordance with ACI 318-14 17.3.3 or ACI 318-11 D.4.3, as applicable, are given in Tables 1 and 4 of this report for the anchor element types included in this report.

4.1.3 Static Concrete Breakout Strength in Tension: The nominal static concrete breakout strength of a single anchor or group of anchors in tension, N_{cb} or N_{cbg} , must be calculated in accordance with ACI 318-14 17.4.2 or ACI 318-11 D.5.2, as applicable, with the following addition:

The basic concrete breakout strength of a single anchor in tension, N_b , must be calculated in accordance with ACI 318-14 17.4.2.2 or ACI 318-11 D.5.2.2, as applicable, using the values of $K_{c,cr}$ and $K_{c,uncr}$ as described in Tables 2 and 5 of this report. Where analysis indicates no cracking in accordance with ACI 318-14 17.4.2.6 or ACI 318-11 D.5.2.6, as applicable, N_b must be calculated using $K_{c,uncr}$ and $\Psi_{c,N} = 1.0$. For anchors in lightweight concrete see ACI 318-14 17.2.6 or ACI 318-11 D.3.6, as applicable. The value of f'_c used for calculation must be limited to 8,000 psi (55 MPa) in accordance with ACI 318-14 17.2.7 or ACI 318-11 D.3.7, as applicable. Additional information for the determination of nominal bond strength in tension is given in Section 4.1.4 of this report.

4.1.4 Static Bond Strength in Tension: The nominal static bond strength of a single adhesive anchor or group of adhesive anchors in tension, N_a or N_{ag} , must be calculated in accordance with ACI 318-14 17.4.5 or ACI 318-11 D.5.5, as applicable. Bond strength values are a function of whether the concrete is cracked or uncracked, the concrete temperature range, the installation conditions (dry or water-saturated concrete, water-filled holes, or submerged), and the level of inspection provided. The resulting characteristic bond strength shall be multiplied by the associated strength reduction factor ϕ_m as follows:

CONCRETE TYPE	PERMISSIBLE INSTALLATION CONDITIONS	BOND STRENGTH	ASSOCIATED STRENGTH REDUCTION FACTOR
Uncracked	Dry	τ_{uncr}	ϕ_d
	Water-saturated	τ_{uncr}	ϕ_{ws}
	Water-filled holes	τ_{uncr}	ϕ_{wf}
	Submerged	τ_{uncr}	ϕ_{sub}
Cracked	Dry	τ_{cr}	ϕ_d
	Water-saturated	τ_{cr}	ϕ_{ws}
	Water-filled holes	τ_{cr}	ϕ_{wf}
	Submerged	τ_{cr}	ϕ_{sub}

Strength reduction factors for determination of the bond strength are given in Tables 3 and 6 of this report.

4.1.5 Static Steel Strength in Shear: The nominal static strength of a single anchor in shear as governed by the steel, V_{sa} , in accordance with ACI 318-14 17.5.1.2 or ACI 318-11 D.6.1.2, as applicable, and strength reduction factors, ϕ , in accordance with ACI 318-14 17.2.3 or ACI 318-11 D.4.3, as applicable are given in Tables 1 and 4 of this report for the anchor element types included in this report.

4.1.6 Static Concrete Breakout Strength in Shear: The nominal concrete breakout strength of a single anchor or group of anchors in shear, V_{cb} or V_{cbg} , must be calculated in accordance with ACI 318-14 17.5.2 or ACI 318-11 D.6.2, as applicable, based on information given in Table 2 and Table 5 of this report. The basic concrete breakout

strength of a single anchor in shear, V_b , must be calculated in accordance with ACI 318-14 17.5.2.2 or ACI 318-11 D.6.2.2, as applicable, using the values of d given in this report in lieu of d_a (2018, 2015, 2012 and 2009 IBC). In addition, h_{ef} shall be substituted for ℓ_e . In no case shall ℓ_e exceed $8d$. The value of f'_c must be limited to a maximum value of 8,000 psi (55 MPa) in accordance with ACI 318-14 17.2.7 or ACI 318-11 D.3.7, as applicable.

4.1.7 Static Concrete Pryout Strength in Shear: The nominal static pryout strength of a single anchor or group of anchors in shear, V_{cp} or $V_{cp,g}$, shall be calculated in accordance with ACI 318-14 17.5.3 or ACI 318-11 D.6.3, as applicable.

4.1.8 Interaction of Tensile and Shear Forces: For designs that include combined tension and shear, the interaction of tension and shear loads must be calculated in accordance with ACI 318-14 17.6 or ACI 318-11 D.7, as applicable.

4.1.9 Minimum Member Thickness, h_{min} , Anchor Spacing, s_{min} , and Edge Distance, c_{min} : In lieu of ACI 318-14 17.7.1 and 17.7.3 or ACI 318-11 D.8.1 and D.8.3, as applicable, values of s_{min} and c_{min} , as given in Table 2 and Table 5 of this report, must be observed for anchor design and installation. The minimum member thicknesses h_{min} , as given in Table 2 and Table 5 of this report must be observed for anchor design and installation. For adhesive anchors that will remain untorqued, ACI 318-14 17.7.4 or ACI 318-11 D.8.4, as applicable, applies.

4.1.10 Critical Edge Distance c_{ac} and $\psi_{cp,Na}$: The modification factor $\psi_{cp,Na}$, must be determined in accordance with ACI 318-14 17.4.5.5 or ACI 318-11 D.5.5.5, as applicable, except as noted below:

For all cases where $c_{Na}/c_{ac} < 1.0$, $\psi_{cp,Na}$ determined from ACI 318-14 Eq. 17.4.5.5b or ACI 318-11 Eq. D-27, as applicable, need not be taken less than c_{Na}/c_{ac} . For all other cases, $\psi_{cp,Na}$ shall be taken as 1.0.

The critical edge distance, c_{ac} must be calculated according to Eq. 17.4.5.5c for ACI 318-14 or Eq. D-27a for ACI 318-11, in lieu of ACI 318-14 17.7.6 or ACI 318-11 D.8.6, as applicable.

$$c_{ac} = h_{ef} \cdot \left(\frac{\tau_{k,uncr}}{1160} \right)^{0.4} \cdot \left[3.1 - 0.7 \frac{h}{h_{ef}} \right]$$

(Eq. 17.4.5.5c for ACI 318-14 or Eq. D-27a for ACI 318-11)

where

$\left[\frac{h}{h_{ef}} \right]$ need not be taken as larger than 2.4; and

$\tau_{k,uncr}$ = the characteristic bond strength stated in the tables of this report whereby $\tau_{k,uncr}$ need not be taken as larger than:

$$\tau_{uncr} = \frac{k_{uncr} \sqrt{h_{ef} f'_c}}{\pi \cdot d_a} \quad \text{Eq. (4-1)}$$

4.1.11 Design Strength in Seismic Design Categories C, D, E and F: In structures assigned to Seismic Design Category C, D, E or F under the IBC or IRC, anchors must be designed in accordance with ACI 318-14 17.2.3 or ACI 318-11 D.3.3, as applicable, except as described below. Modifications to ACI 318-14 17.2.3 shall be applied under Section 1905.1.8 of the 2018 and 2015 IBC. For the 2012 IBC, Section 1905.1.9 shall be omitted. The nominal steel shear strength, V_{sa} , must be adjusted by $\alpha_{V,seis}$ as given in Tables 1 and 4 for the anchor element types included in this report. The nominal bond strength $\tau_{k,cr}$ must be adjusted by $\alpha_{N,seis}$, as given in Tables 3 and 6 of this report.

As an exception to ACI 318-11 D.3.3.4.2: Anchors designed to resist wall out-of-plane forces with design strengths equal to or greater than the force determined in accordance with ASCE 7 Equation 12.11-1 or 12.14-10 shall be deemed to satisfy ACI 318-11 D.3.3.4.3(d).

Under ACI 318-11 D.3.3.4.3(d), in lieu of requiring the anchor design tensile strength to satisfy the tensile strength requirements of ACI 318-11 D.4.1.1, the anchor design tensile strength shall be calculated from ACI 318-11 D.3.3.4.4.

The following exceptions apply to ACI 318-11 D.3.3.5.2:

1. For the calculation of the in-plane shear strength of anchor bolts attaching wood sill plates of bearing or non-bearing walls of light-frame wood structures to foundations or foundation stem walls, the in-plane shear strength in accordance with ACI 318-11 D.6.2 and D.6.3 need not be computed and ACI 318-11 D.3.3.5.3 need not apply provided all of the following are satisfied:

1.1. The allowable in-plane shear strength of the anchor is determined in accordance with AF&PA NDS Table 11E for lateral design values parallel to grain.

1.2. The maximum anchor nominal diameter is $5/8$ inch (16 mm).

1.3. Anchor bolts are embedded into concrete a minimum of 7 inches (178 mm).

1.4. Anchor bolts are located a minimum of $1\ 3/4$ inches (45 mm) from the edge of the concrete parallel to the length of the wood sill plate.

1.5. Anchor bolts are located a minimum of 15 anchor diameters from the edge of the concrete perpendicular to the length of the wood sill plate.

1.6. The sill plate is 2-inch or 3-inch nominal thickness.

2. For the calculation of the in-plane shear strength of anchor bolts attaching cold-formed steel track of bearing or non-bearing walls of light-frame construction to foundations or foundation stem walls, the in-plane shear strength in accordance with ACI 318-11 D.6.2 and D.6.3 need not be computed and ACI 318-11 D.3.3.5.3 need not apply provided all of the following are satisfied:

2.1. The maximum anchor nominal diameter is $5/8$ inch (16 mm).

2.2. Anchors are embedded into concrete a minimum of 7 inches (178 mm).

2.3. Anchors are located a minimum of $1\ 3/4$ inches (45 mm) from the edge of the concrete parallel to the length of the track.

2.4. Anchors are located a minimum of 15 anchor diameters from the edge of the concrete perpendicular to the length of the track.

2.5. The track is 33 to 68 mil designation thickness.

Allowable in-plane shear strength of exempt anchors, parallel to the edge of concrete shall be permitted to be determined in accordance with AISI S100 Section E3.3.1.

3. In light-frame construction, bearing or nonbearing walls, shear strength of concrete anchors less than or equal to 1 inch [25 mm] in diameter attaching a sill plate or track to foundation or foundation stem wall need not satisfy ACI 318-11 D.3.3.5.3(a) through (c) when the design strength of the anchors is determined in accordance with ACI 318-11 D.6.2.1(c).

4.2 Allowable Stress Design:

4.2.1 General: For anchor systems designed using load combinations in accordance with IBC Section 1605.3 (Allowable Stress Design), allowable loads shall be established using Eq. (4-2) or Eq. (4-3):

$$T_{allowable,ASD} = \frac{\phi N_n}{\alpha} \quad \text{Eq. (4-2)}$$

and

$$V_{allowable,ASD} = \frac{\phi V_n}{\alpha} \quad \text{Eq. (4-3)}$$

where

$T_{allowable,ASD}$ = Allowable tension load (lbf or kN)

$V_{allowable,ASD}$ = Allowable shear load (lbf or kN)

ϕN_n = Lowest design strength of an anchor or anchor group in tension as determined in accordance with ACI 318-14 Chapter 17 and 2018 and 2015 IBC Section 1905.1.8, ACI 318-11 Appendix D, ACI 318-08 Appendix D and 2009 IBC Sections 1908.1.9 and Section 4.1 of this report, as applicable. For the 2012 IBC, Section 1905.19 shall be omitted.

ϕV_n = Lowest design strength of an anchor or anchor group in shear as determined in accordance with ACI 318-14 Chapter 17 and 2018 and 2015 IBC Section 1905.1.8, ACI 318-11 Appendix D, ACI 318-08 Appendix D and 2009 IBC Sections 1908.1.9 and Section 4.1 of this report, as applicable. For the 2012 IBC, Section 1905.19 shall be omitted.

α = Conversion factor calculated as a weighted average of the load factors for the controlling load combination. In addition, α must include all applicable factors to account for non-ductile failure modes and required over-strength.

Limits on edge distance, anchor spacing and member thickness described in this report must apply.

Example calculations for derivation of $T_{allowable,ASD}$ are provided in Figure 2 and Table 7.

4.2.2 Interaction of tensile and shear forces: In lieu of ACI 318-14 17.6.1, 17.6.2 and 17.6.3 or ACI 318-11 D.7.1, D.7.2 and D.7.3, as applicable, interaction must be calculated as follows:

For shear loads $V \leq 0.2V_{allowable,ASD}$, the full allowable load in tension shall be permitted.

For tension loads $T \leq 0.2T_{allowable,ASD}$, the full allowable load in shear shall be permitted.

For all other cases:

$$\frac{T}{T_{allowable,ASD}} + \frac{V}{V_{allowable,ASD}} \leq 1.2 \quad \text{Eq. (4-4)}$$

4.3 Installation:

Installation parameters are illustrated in Figure 3 of this report. Installation must be in accordance with ACI 318-14 17.8.1 and 17.8.2 or ACI 318-11 D.9.1 and D.9.2, as applicable. Anchor locations must comply with this report and the plans and specifications approved by the code official. Installation of the Red Head A7+ Adhesive Anchor System must conform to the manufacturer's printed installation instructions included in each unit package, as provided in Figure 3 of this report.

The adhesive anchoring system may be used for floor (vertically down), wall (horizontal) and overhead applications. Horizontal and overhead applications are to be used with the $\frac{3}{8}$ -inch (9.5 mm) through $1\frac{1}{4}$ -inch-diameter (31 mm) threaded rods and reinforcing bars.

The adhesive may be injected directly to the end of the hole using extension tubing (E916-6) for the $\frac{1}{2}$ -inch-diameter anchors, and extension tubing (E25-6) for the $\frac{3}{8}$ -inch-diameter anchors. For the $\frac{5}{8}$ -inch- (16 mm) through $1\frac{1}{4}$ -inch-diameter (31 mm) threaded rod and reinforcing bars, a Red Head piston plug must be used.

A demonstration video of the vertical down and overhead installation in dry concrete may be viewed from the following links:

<http://go.iccsafe.org/l/25182/2016-09-20/bv3v8h> for vertical down installation.

<http://go.iccsafe.org/l/25182/2016-09-20/bv3v79> for overhead installation with piston plugs.

4.4 Special Inspection:

4.4.1 General: Installations may be made under continuous special inspection or periodic special inspection, as determined by the registered design professional. Table 3 and Table 6 of this report provide strength reduction factors, ϕ , corresponding to the type of inspection provided.

Continuous special inspection of adhesive anchor systems installed in horizontal or upwardly inclined orientations to resist sustained tension loads shall be performed in accordance with ACI 318-14 17.8.2.4 or ACI 318-11 D.9.2.4, as applicable.

Under the IBC, additional requirements as set forth in Section 1705.1.1 and Table 1705.3 of the 2018, 2015 or 2012 IBC, and Sections 1705, 1706 or 1707 of the 2009 IBC must be observed, where applicable.

4.4.2 Continuous Special Inspection: Installations made under continuous special inspection with an on-site proof loading program must be performed in accordance with Section 1705.1.1 and Table 1705.3 of the 2018, 2015 and 2012 IBC, Sections 1704.4 and 1704.15 of the 2009 IBC, whereby continuous special inspection is defined in Section 1702.1 of the IBC, and this report. The special inspector must be on the jobsite continuously during anchor installation to verify anchor type, adhesive expiration date, anchor dimensions, concrete type, concrete compressive strength, hole dimensions, hole cleaning procedures, anchor spacing, edge distances, concrete thickness, anchor embedment, tightening torque, and adherence to the manufacturers printed installation instructions.

The proof loading program must be established by the registered design professional. As a minimum, the following requirements must be addressed in the proof loading program:

1. Frequency of proof loading based on anchor type, diameter, and embedment.
2. Proof loads by anchor type, diameter, embedment, and location.
3. Acceptable displacements at proof load.
4. Remedial action in the event of a failure to achieve proof load, or excessive displacement.

Unless otherwise directed by the registered design professional, proof loads must be applied as confined tension tests. Proof load levels must not exceed the lesser of 67 percent of the load corresponding to the nominal bond strength as calculated from the characteristic bond stress for uncracked concrete modified for edge effects and concrete properties, or 80 percent of the minimum specified anchor element yield strength ($A_{se,N} \cdot f_{ya}$). The proof load shall be maintained at the required load level for a minimum of 10 seconds.

4.4.3 Periodic Special Inspection: Periodic special inspection must be performed where required in accordance with Section 1705.1.1 and Table 1705.3 of the 2018, 2015 and 2012 IBC, Section 1704.15 and Table 1704.4 of the 2009 IBC, whereby periodic special inspection is defined in Section 1702.1 of the IBC and this report. The special inspector must be on the jobsite initially during anchor installation to verify anchor type, anchor dimensions, concrete type, concrete compressive strength, hole dimensions, hole cleaning procedures, anchor spacing, edge distances, concrete thickness, anchor embedment, tightening torque, and adherence to the manufacturer's printed installation instructions. The special inspector must verify the initial installations of each type and size of adhesive anchor by construction personnel on the site. Subsequent installations of the same anchor type and size by the same construction personnel are permitted to be performed in the absence of the special inspector. Any change in the anchor product being installed or the personnel performing the installation requires an initial inspection. For ongoing installations over an extended period, the special inspector must make regular inspections to confirm correct handling and installation of the product.

4.5 Compliance with NSF/ANSI Standard 61:

The A7+ Adhesive Anchor Systems comply with the requirements of NSF/ANSI Standard 61, as referenced in Section 605 of the 2018, 2015, 2012 and 2009 *International Plumbing Code*® (IPC), and is certified for use as an anchoring adhesive for installing threaded rods less than or equal to 1.3 inches (33 mm) in diameter in concrete for water treatment applications. An NSF/ANSI Standard 61 listing is provided by NSF International.

5.0 CONDITIONS OF USE

The Red Head A7+ Adhesive Anchoring Systems described in this report comply with or are a suitable alternative to what is specified in, those codes listed in Section 1.0 of this report, subject to the following conditions:

- 5.1 The Red Head A7+ Adhesive Anchor Systems must be installed in accordance with the manufacturer's printed installation instructions, as included with the adhesive packaging and reproduced in Figure 3 of this report.
- 5.2 The anchor systems must be installed in cracked and uncracked normalweight concrete having a specified compressive strength of $f'_c = 2,500$ psi to 8,500 psi (17.2 MPa to 58.6 MPa) [minimum of 24 MPa is required under ADIBC Appendix L, Section 5.1.1].
- 5.3 The values of f'_c used for calculation purposes must not exceed 8,000 psi (55 MPa).
- 5.4 The concrete shall have attained its minimum design strength prior to installation of the anchor systems.
- 5.5 Anchor systems must be installed in concrete base materials in holes predrilled in accordance with the instructions provided in Figure 3 of this report, using a carbide-tipped masonry drill bit manufactured within the range of the maximum and minimum drill-tip dimensions of ANSI B212.15-1994.
- 5.6 Loads applied to the anchor systems must be adjusted in accordance with Section 1605.2 of the IBC for strength design and in accordance with Section 1605.3 of the IBC for allowable stress design.
- 5.7 Red Head A7+ Adhesive Anchor Systems are recognized for use in resisting short- and long-term loads, including wind and earthquake loads, subject to the conditions of this report.
- 5.8 In structures assigned to Seismic Design Category C, D, E or F under the IBC or IRC, anchor strength must comply with the requirements of 2009 IBC Section 1908.1.9.
- 5.9 Red Head A7+ adhesive anchor systems are permitted to be installed in concrete that is cracked or that may be expected to crack during the service life of the anchor, subject to the conditions of this report.
- 5.10 Strength design values must be established in accordance with Section 4.1 of this report.
- 5.11 Allowable stress design values must be established in accordance with Section 4.2 of this report.
- 5.12 Minimum anchor spacing and edge distance, as well as minimum member thickness, must comply with the values given in this report.
- 5.13 Prior to anchor installation, calculations and details demonstrating compliance with this report must be submitted to the code official. The calculations and details must be prepared by a registered design professional where required by the statutes of the jurisdiction in which the project is to be constructed.
- 5.14 Anchor systems are not permitted to support fire-resistive construction. Where not otherwise prohibited by the code, anchors are permitted for installation in fire-resistive construction provided at least one of the following conditions is fulfilled:
 - Anchors are used to resist wind or seismic forces only.
 - Anchors that support gravity load-bearing structural elements are within a fire-resistive envelope or a fire-resistive membrane, are protected by approved fire-resistive materials, or have been evaluated for resistance to fire exposure in accordance with recognized standards.
 - Anchors are used to support nonstructural elements.
- 5.15 Since an ICC-ES acceptance criteria for evaluating data to determine the performance of adhesive anchors subjected to fatigue or shock loading is unavailable at this time, the use of these anchors under such conditions is beyond the scope of this report.
- 5.16 Use of zinc-plated carbon steel threaded rods or steel reinforcing bars is limited to dry, interior locations.
- 5.17 Use of hot-dipped galvanized carbon steel rods and stainless steel rods is permitted for exterior exposure or damp environments.
- 5.18 Steel anchoring elements in contact with preservative-treated and fire-retardant-treated wood must be of zinc-coated carbon steel or stainless steel. The minimum coating weights for zinc-coated steel must comply with ASTM A153.
- 5.19 Special inspection must be provided in accordance with Section 4.4 of this report. Continuous special inspection for anchors installed in horizontal or upwardly inclined orientations to resist sustained tension loads must be provided in accordance with Section 4.4 of this report.
- 5.20 Installation of anchor systems in horizontal or upwardly inclined orientations to resist sustained tension loads shall be performed by personnel certified by an applicable certification program in accordance with ACI

318-14 17.8.2.2 or 17.8.2.3; or ACI 318-11 D.9.2.2 or D.9.2.3, as applicable.

5.21 Red Head A7+ Adhesive Anchor Systems may be used to resist tension and shear forces for floor (vertically down), wall (horizontal) and overhead installations with concrete temperatures between 14°F and 110°F. Horizontal and overhead applications are to be used with the 3/8-inch (9.5 mm) through 1 1/4-inch (31 mm) diameter threaded rods and reinforcing bars. The adhesive must be injected directly to the back end of the hole using extension tubing (E916-6) for the 1/2-inch- through 1 1/4-inch-diameter anchors, and extension tubing (E25-6) for the 3/8-inch-diameter anchors. Alternatively, the 3/8-inch- (16 mm) through 1 1/4-inch-diameter (31 mm) threaded rod and reinforcing bars may be installed with a Red Head piston plug. See the MPII in Figure 3 of this report for temperature and installation requirements.

5.22 Anchor systems may be used for applications where the concrete temperature can rise from 40°F (or less) to 80°F (or higher) within a 12-hour period. Such applications may include but are not limited to anchorage of building facade systems and other applications subject to direct sun exposure.

5.23 Red Head A7+ Adhesive is manufactured under a quality-control program with inspections by ICC-ES.

6.0 EVIDENCE SUBMITTED

Data in accordance with the ICC-ES Acceptance Criteria for Post-installed Adhesive Anchors in Concrete Elements (AC308), dated June 2019, which incorporates requirements in ACI 355.4-11.

7.0 IDENTIFICATION

7.1 Red Head A7+ Adhesive is identified by labels on the adhesive cartridges bearing the adhesive manufacturer's name (ITW Commercial Construction North America) and address (Glendale Heights, Illinois), the product name (Red Head A7+), best-used-by expiration date, and the evaluation report number (ESR-3903).

7.2 The report holder's contact information is the following:

ITW RED HEAD
700 HIGH GROVE BOULEVARD
GLENDALE HEIGHTS, ILLINOIS 60139
www.itw-redhead.com
techsupport@itwccna.com



FIGURE 1—RED HEAD EPCON A7+ ADHESIVE CARTRIDGES, DISPENSING TOOLS, MIXING NOZZLES, HOLE CLEANING BRUSHES AND HOLE PLUGS

TABLE 1—STEEL DESIGN INFORMATION FOR U.S. CUSTOMARY UNIT THREADED ROD ⁽¹⁾

CHARACTERISTIC	SYMBOL	UNITS	NOMINAL ROD DIAMETER (inch)							
			3/8	1/2	5/8	3/4	7/8	1	1 1/4	
Threaded rod effective cross-sectional area	A_{se}	inch ²	0.078	0.142	0.226	0.335	0.462	0.606	0.969	
Carbon Steel A36	Nominal steel strength in tension	N_{sa}	lb	4,500	8,230	13,110	19,400	26,780	35,130	56,210
	Nominal steel strength in shear	V_{sa}	lb	2,700	4,940	7,870	11,640	16,070	21,080	33,730
	Strength reduction factor for tension, steel failure mode	ϕ	-	0.75	0.75	0.75	0.75	0.75	0.75	0.75
	Strength reduction factor for shear, steel failure mode ¹	ϕ	-	0.65	0.65	0.65	0.65	0.65	0.65	0.65
	Reduction factor for seismic shear	$\alpha_{V,seis}$	-	0.70	0.70	0.70	0.70	0.70	0.70	0.70
Carbon Steel A193 B7	Nominal steel strength in tension	N_{sa}	lb	9,690	17,740	28,250	41,810	57,710	75,710	121,140
	Nominal steel strength in shear	V_{sa}	lb	5,810	10,640	16,950	25,090	34,630	45,430	72,680
	Strength reduction factor for tension, steel failure mode	ϕ	-	0.75	0.75	0.75	0.75	0.75	0.75	0.75
	Strength reduction factor for shear, steel failure mode ¹	ϕ	-	0.65	0.65	0.65	0.65	0.65	0.65	0.65
	Reduction factor for seismic shear	$\alpha_{V,seis}$	-	0.70	0.70	0.70	0.70	0.70	0.70	0.70
Stainless Steel F593	F593 CW1 nominal steel strength in tension	N_{sa}	lb	7,365	13,480	21,470	-	-	-	-
	F593 CW1 nominal steel strength in shear	V_{sa}	lb	3,680	6,740	10,735	-	-	-	-
	F593 CW2 nominal steel strength in tension	N_{sa}	lb	-	-	-	25,385	35,110	46,055	73,645
	F593 CW2 nominal steel strength in shear	V_{sa}	lb	-	-	-	12,690	17,555	23,030	36,820
	Strength reduction factor for tension, steel failure mode ¹	ϕ	-	0.65	0.65	0.65	0.65	0.65	0.65	0.65
	Strength reduction factor for shear, steel failure mode	ϕ	-	0.60	0.60	0.60	0.60	0.60	0.60	0.60
	Reduction factor for seismic shear	$\alpha_{V,seis}$	-	0.70	0.70	0.70	0.70	0.70	0.70	0.70

For SI: 1 inch = 25.4mm, 1 lbf = 4.45N, 1ft-lbf = 1.356 N-M, 1 psi = 0.006895 MPa.

¹The tabulated value of ϕ applies when the load combinations of Section 1605.2 of the IBC, ACI 318-14 5.3 or ACI 318-11 9.2 are used. If the load combinations of ACI 318-11 Appendix C are used, the appropriate value of ϕ must be determined in accordance with ACI 318-11 D.4.4.

TABLE 2—CONCRETE BREAKOUT DESIGN INFORMATION FOR U.S. CUSTOMARY UNIT THREADED ROD ⁽¹⁾

CHARACTERISTIC	SYMBOL	UNITS	NOMINAL ROD DIAMETER (inch)						
			$\frac{3}{8}$	$\frac{1}{2}$	$\frac{5}{8}$	$\frac{3}{4}$	$\frac{7}{8}$	1	$1\frac{1}{4}$
Effectiveness factor for uncracked concrete	k_{uncr}	-	24	24	24	24	24	24	24
Effectiveness factor for cracked concrete	k_{cr}	-	17	17	17	17	17	17	17
Minimum concrete thickness	h_{min}	in.	$h_{ef} + 1\frac{1}{4}$		$h_{ef} + 2d_o$				
Anchor embedment depth - minimum	$h_{ef,min}$	in.	$2\frac{3}{8}$	$2\frac{3}{4}$	$3\frac{1}{8}$	$3\frac{1}{2}$	$3\frac{1}{2}$	4	5
Minimum spacing	s_{min}	in.	$\frac{15}{16}$	$1\frac{1}{2}$	$2\frac{1}{2}$	3	$3\frac{1}{2}$	4	5
Minimum edge distance	c_{min}	in.	$\frac{15}{16}$	$1\frac{1}{2}$	$2\frac{1}{2}$	3	$3\frac{1}{2}$	4	5
Critical edge distance	c_{ac}	in.	See Section 4.1.10 of this report						
Strength reduction factor for tension, concrete failure mode ¹	ϕ	Cond. B	0.65	0.65	0.65	0.65	0.65	0.65	0.65
Strength reduction factor for shear, concrete failure mode ¹	ϕ	Cond. B	0.70	0.70	0.70	0.70	0.70	0.70	0.70

For **SI**: 1 inch = 25.4mm, 1 lbf = 4.45N, 1ft-lbf = 1.356 N-M, 1 psi = 0.006895 MPa.

¹The tabulated value of ϕ applies when the load combinations of Section 1605.2 of the IBC, ACI 318-14 5.3 or ACI 318-11 9.2 are used and the requirements of ACI 318-14 17.3.3 or ACI 318-11 D.4.3, as applicable, for Condition B are met. If the load combinations of ACI 318-11 Appendix C are used, the appropriate value of ϕ must be determined in accordance with ACI 318-11 D.4.4 for Condition B.

TABLE 3—RED HEAD EPCON A7+ ADHESIVE ANCHOR BOND STRENGTH DESIGN INFORMATION FOR U.S. CUSTOMARY UNIT THREADED ROD^(1,4)

CHARACTERISTIC		SYMBOL	UNITS	NOMINAL ROD DIAMETER (inch)						
				3/8	1/2	5/8	3/4	7/8	1	1 1/4
Anchor embedment depth - minimum		h_{ef}	in.	2 3/8	2 3/4	3 1/8	3 1/2	3 1/2	4	5
Anchor embedment depth - maximum		h_{ef}	in.	7 1/2	10	12 1/2	15	17 1/2	20	25
Temperature Range A ²	Characteristic Bond Strength for Uncracked Concrete	$\mathcal{T}_{k,uncr}$	psi	1,770	1,770	1,770	1,770	1,490	1,490	1,490
	Characteristic Bond Strength for Cracked Concrete	$\mathcal{T}_{k,cr}$	psi	1,060	790	860	890	695	655	585
Temperature Range B ³	Characteristic Bond Strength for Uncracked Concrete	$\mathcal{T}_{k,uncr}$	psi	1,275	1,275	1,275	1,275	1,080	1,080	1,080
	Characteristic Bond Strength for Cracked Concrete	$\mathcal{T}_{k,cr}$	psi	765	570	620	640	500	475	420
Continuous Inspection	Strength Reduction Factor - Dry Concrete	$\phi_{dry, ci}$	-	0.65	0.65	0.65	0.65	0.65	0.65	0.65
	Strength Reduction Factor - Water-Saturated Concrete	$\phi_{sat, ci}$	-	0.65	0.65	0.65	0.65	0.65	0.65	0.65
	Strength Reduction Factor - Water-Filled Holes	$\phi_{wf, ci}$	-	0.65	0.65	0.65	0.65	0.65	0.65	0.65
	Strength Reduction Factor - Submerged Concrete	$\phi_{sub, ci}$	-	0.65	0.55	0.55	0.65	0.65	0.55	0.65
Periodic Inspection	Strength Reduction Factor - Dry Concrete	$\phi_{dry, pi}$	-	0.55	0.55	0.55	0.55	0.55	0.55	0.65
	Strength Reduction Factor - Water-Saturated Concrete	$\phi_{sat, pi}$	-	0.65	0.65	0.65	0.65	0.65	0.65	0.65
	Strength Reduction Factor - Water-Filled Holes	$\phi_{wf, pi}$	-	0.65	0.65	0.65	0.65	0.65	0.65	0.65
	Strength Reduction Factor - Submerged Concrete	$\phi_{sub, pi}$	-	0.65	0.45	0.45	0.65	0.55	0.45	0.65
Reduction factor for seismic tension		$\alpha_{N,seis}$	-	0.89	0.75	0.76	0.66	0.77	0.80	0.80

For SI: 1 inch = 25.4mm, 1 lbf = 4.45N, 1ft-lbf = 1.356 N-M, 1 psi = 0.006895 MPa.

¹Bond strength values correspond to concrete compressive strengths ranging from 2,500 psi to 8,000 psi [minimum of 24 MPa is required under ADIBC Appendix L, Section 5.1.1].

²Temperature range A: Maximum short term temperature of 130°F and maximum long term temperature of 110°F.

³Temperature range B: Maximum short term temperature of 176°F and maximum long term temperature of 110°F.

⁴For structures assigned to IBC or IRC Seismic Design Category C, D, E, or F, bond strength values must be multiplied by $\alpha_{N,seis}$.

TABLE 4—STEEL DESIGN INFORMATION FOR U.S. CUSTOMARY UNIT REINFORCING BARS ⁽¹⁾

CHARACTERISTIC	SYMBOL	UNITS	NOMINAL ROD DIAMETER (inch)								
			No. 3	No. 4	No. 5	No. 6	No. 7	No. 8	No. 9	No. 10	
Nominal bar diameter	d	in.	3/8	1/2	5/8	3/4	7/8	1	1 1/8	1 1/4	
Reinforcing bar effective cross-sectional area	A_{se}	inch ²	0.11	0.2	0.31	0.44	0.6	0.79	1.00	1.27	
ASTM 615 Grade 60	Nominal steel strength in tension	N_{sa}	lb	9,900	18,000	27,900	39,600	54,000	71,100	90,000	114,300
	Nominal steel strength in shear	V_{sa}	lb	5,940	10,800	16,740	23,760	32,400	42,660	54,000	68,580
	Strength reduction factor for tension, steel failure mode	φ	-	0.65	0.65	0.65	0.65	0.65	0.65	0.65	0.65
	Strength reduction factor for shear, steel failure mode ¹	φ	-	0.60	0.60	0.60	0.60	0.60	0.60	0.60	0.60
	Reduction factor for seismic shear	α_{V,seis}	-	0.91	0.91	0.91	0.90	0.90	0.75	0.75	0.75

For **SI**: 1 inch = 25.4mm, 1 lbf = 4.45N, 1ft-lbf = 1.356 N-M, 1 psi = 0.006895 MPa.

¹The tabulated value of φ applies when the load combinations of Section 1605.2 of the IBC, ACI 318-14 5.3 or ACI 318-11 9.2 are used. If the load combinations of ACI 318-11 Appendix C are used, the appropriate value of φ must be determined in accordance with ACI 318-11 D.4.4.

TABLE 5—CONCRETE BREAKOUT DESIGN INFORMATION FOR U.S. CUSTOMARY UNIT REINFORCING BARS ^(1,2)

CHARACTERISTIC	SYMBOL	UNITS	NOMINAL ROD DIAMETER (inch)							
			No. 3	No. 4	No. 5	No. 6	No. 7	No. 8	No. 9	No. 10
Effectiveness factor for uncracked concrete	k_{uncr}	-	24	24	24	24	24	24	24	24
Effectiveness factor for cracked concrete	k_{cr}	-	17	17	17	17	17	17	17	17
Minimum concrete thickness	h_{min}	in.	h _{ef} + 1 1/4			h _{ef} + 2d _o				
Anchor embedment depth - minimum	h_{ef,min}	in.	2 3/8	2 3/4	3 1/8	3 1/2	3 1/2	4	4 1/2	5
Minimum spacing	s_{min}	in.	1 5/16	1 1/2	2 1/2	3	3 1/2	4	4 1/2	5
Minimum edge distance	c_{min}	in.	1 5/16	1 1/2	2 1/2	3	3 1/2	4	4 1/2	5
Critical edge distance	c_{ac}	in.	See Section 4.1.10 of this report							
Strength reduction factor for tension, concrete failure mode ¹	φ	Cond. B	0.65	0.65	0.65	0.65	0.65	0.65	0.65	0.65
Strength reduction factor for shear, concrete failure mode ¹	φ	Cond. B	0.70	0.70	0.70	0.70	0.70	0.70	0.70	0.70

For **SI**: 1 inch = 25.4mm, 1 lbf = 4.45N, 1ft-lbf = 1.356 N-M, 1 psi = 0.006895 MPa.

¹The tabulated value of φ applies when the load combinations of Section 1605.2 of the IBC, ACI 318-14 5.3 or ACI 318-11 9.2 are used and the requirements of ACI 318-14 17.3.3 or ACI 318-11 D.4.3, as applicable, for Condition B are met. If the load combinations of ACI 318-11 Appendix C are used, the appropriate value of φ must be determined in accordance with ACI 318-11 D.4.4 for Condition B.

²The value of f_c used for calculation must be limited to maximum 8,000 psi (55 MPa) in accordance with ACI 318-14 17.2.7 or ACI 318-11 D.3.7, as applicable.

TABLE 6—RED HEAD EPON A7+ ADHESIVE ANCHOR BOND STRENGTH DESIGN INFORMATION FOR U.S. CUSTOMARY UNIT REINFORCING STEEL ^(1,4)

CHARACTERISTIC	SYMBOL	UNITS	NOMINAL ROD DIAMETER (inch)								
			No. 3	No. 4	No. 5	No. 6	No. 7	No. 8	No. 9	No. 10	
Anchor embedment depth - minimum	h_{ef}	in.	2 ³ / ₈	2 ³ / ₄	3 ¹ / ₈	3 ¹ / ₂	3 ¹ / ₂	4	4 ¹ / ₂	5	
Anchor embedment depth - maximum	h_{ef}	in.	7 ¹ / ₂	10	12 ¹ / ₂	15	17 ¹ / ₂	20	22 ¹ / ₂	25	
Temperature Range A ²	Characteristic Bond Strength for Uncracked Concrete	$\mathcal{T}_{k,uncr}$	psi	1,675	1,935	1,900	1,700	1,635	1,615	1,585	1,550
	Characteristic Bond Strength for Cracked Concrete	$\mathcal{T}_{k,cr}$	psi	755	755	755	585	585	585	585	585
Temperature Range B ³	Characteristic Bond Strength for Uncracked Concrete	$\mathcal{T}_{k,uncr}$	psi	1,210	1,400	1,370	1,230	1,180	1,165	1,145	1,120
	Characteristic Bond Strength for Cracked Concrete	$\mathcal{T}_{k,cr}$	psi	545	545	545	420	420	420	420	435
Continuous Inspection	Strength Reduction Factor - Dry Concrete	$\phi_{dry, ci}$	-	0.65	0.65	0.65	0.65	0.65	0.65	0.65	0.65
	Strength Reduction Factor – Water-Saturated Concrete	$\phi_{sat, ci}$	-	0.65	0.65	0.65	0.65	0.65	0.65	0.65	0.65
	Strength Reduction Factor - Water-Filled Holes	$\phi_{wf, ci}$	-	0.65	0.65	0.65	0.65	0.65	0.65	0.65	0.65
	Strength Reduction Factor - Submerged Concrete	$\phi_{sub, aci}$	-	0.65	0.55	0.55	0.65	0.65	0.55	0.55	0.65
Periodic Inspection	Strength Reduction Factor - Dry Concrete	$\phi_{dry, pi}$	-	0.55	0.55	0.55	0.55	0.55	0.55	0.55	0.65
	Strength Reduction Factor – Water-Saturated Concrete	$\phi_{sat, pi}$	-	0.65	0.65	0.65	0.65	0.65	0.65	0.65	0.65
	Strength Reduction Factor - Water-Filled Holes	$\phi_{wf, pi}$	-	0.65	0.65	0.65	0.65	0.65	0.65	0.65	0.65
	Strength Reduction Factor - Submerged Concrete	$\phi_{sub, pi}$	-	0.65	0.45	0.45	0.65	0.55	0.45	0.45	0.65
Reduction factor for seismic tension	$\alpha_{N,seis}$	-	0.92	0.92	0.92	0.82	0.82	0.82	0.82	0.82	

For SI: 1 inch = 25.4mm, 1 lbf = 4.45N, 1ft-lbf = 1.356 N-M, 1 psi = 0.006895 MPa.

¹Bond strength values correspond to concrete compressive strengths ranging from 2,500 psi to 8,000 psi [minimum of 24 MPa is required under ADIBC Appendix L, Section 5.1.1].

²Temperature range A: Maximum short term temperature of 130°F and maximum long term temperature of 110°F.

³Temperature range B: Maximum short term temperature of 176°F and maximum long term temperature of 110°F.

⁴For structures assigned to IBC or IRC Seismic Design Category C, D, E, or F, bond strength values must be multiplied by $\alpha_{N,seis}$.

**TABLE 7—EXAMPLE RED HEAD EPCON A7+ ADHESIVE ALLOWABLE STRESS DESIGN VALUES (ASD)
FOR ILLUSTRATIVE PURPOSES**

Anchor Diameter (d)	Min/Max Embedment Depth, h_{ef} (in)	Char. Bond Strength $\tau_{k,uncr}$ (psi)	Allowable Tension Load (lb) 2500psi- 8000psi	Controlling Failure Mode
3/8	2 3/8	1,770	1,929	Concrete
	7 1/2		2,280	Steel
1/2	2 3/4	1,770	2,403	Concrete
	10		4,171	Steel
5/8	3 1/8	1,770	2,911	Concrete
	12 1/2		6,644	Steel
3/4	3 1/2	1,770	3,451	Concrete
	15		9,831	Steel
7/8	3 1/2	1,490	3,451	Concrete
	17 1/2		13,571	Steel
1	4	1,490	4,216	Concrete
	20		17,802	Steel
1 1/4	5	1,490	5,892	Concrete
	25		28,485	Steel

For **SI**: 1 inch = 25.4mm, 1 lbf = 4.45N, 1ft-lbf = 1.356 N-M, 1 psi = 0.006895 MPa.

This table was developed based on the following conditions:

- ¹Single anchor with static tension only, A36 threaded rod
- ²Vertical downward installation direction
- ³Inspection regimen = Periodic
- ⁴Installation temperature = 30°F to 90°F
- ⁵Long term temperature = 110°F
- ⁶Short term temperature = 130°F
- ⁷Dry hole condition (carbide drilled hole)
- ⁸Embedment = h_{ef} (min/max for each diameter)
- ⁹Concrete determined to remain uncracked for the life of the anchorage
- ¹⁰Load combinations from ACI 318-11 Section 9.2 (no seismic loading)
- ¹¹30% dead load and 70% live load, controlling load combination 1.2D + 1.6L
- ¹²Calculation of weighted average for $\alpha = 0.3 \cdot 1.2 + 0.7 \cdot 1.6 = 1.48$
- ¹³ $f'_c = 2,500$ psi (normal weight concrete)
- ¹⁴ $C_{a1} = C_{a2} \geq C_{ac}$
- ¹⁵ $h \geq h_{min}$

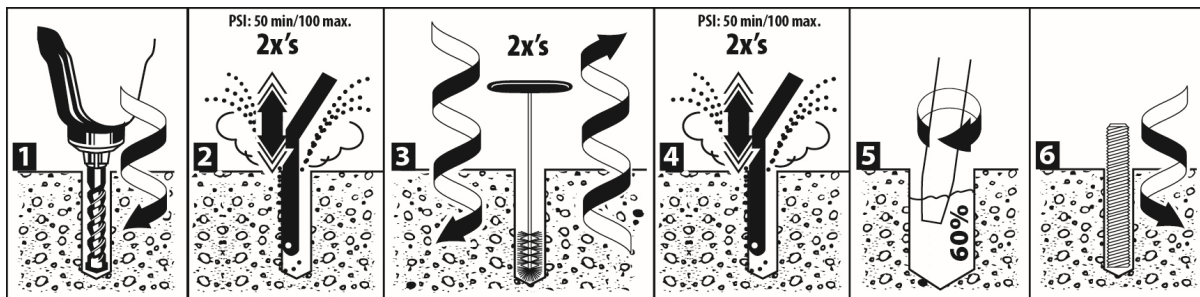
Illustrative Procedure to Calculate Allowable Stress Design Tension Value:

Red Head Epcon A7+ Adhesive Anchor 1/2-inch diameter, using an embedment of 4 1/2 inches, assuming the conditions given in Table 7 (for use with the 2018 and 2015 IBC, based on ACI 318-14 Chapter 17). Applied tension load, $N_{ua} = 4,000$ lbs.

	PROCEDURE	CALCULATION
Step 1	Calculate steel strength of a single anchor in tension per ACI 318-14 17.4.1.2 and Table 1 of this report.	$\phi N_{sa} = 0.75 * 8,230 = 6,173$ lbs steel strength
Step 2	Calculate concrete breakout strength of a single anchor in tension per ACI 318-14 17.4.2 and Table 2 of this report.	$N_b = k_c \lambda_a \lambda_b \sqrt{f'_c} h_{ef}^{1.5} = 24 * \sqrt{2,500} * 4.5^{1.5}$ $N_b = 11,455$ lbs $\phi N_{cb} = \phi A_{NC} / A_{NCO} \psi_{ed,N} \psi_{c,N} \psi_{cp,N} N_b$ $\phi N_{cb} = 0.65 * 1.0 * 1.0 * 1.0 * 1.0 * 11,455$ $\phi N_{cb} = 7,446$ lbs concrete breakout strength
Step 3	Calculate bond strength of a single anchor in tension per ACI 318-14 17.4.5 and Table 3 of this report.	$N_{ba} = * \lambda_a \tau_{k,uncr} \pi d h_{ef}$ $N_{ba} = 1.0 * 1,770 * 3.14 * 0.5 * 4.5$ $N_{ba} = 12,505$ lbs $\phi N_a = \phi A_{Na} / A_{Na0} \psi_{ed,Na} \psi_{cp,Na} N_{a0}$ $\phi N_a = 0.65 * 1.0 * 1.0 * 1.0 * 12,505$ $\phi N_a = 8,128$ lbs bond strength
Step 4	Determine compliance with required anchor strength per ACI 318-14 17.3.1.	$\phi N_{sa} = 6,173$ lbs > $N_{ua} = 4,000$ lbs $\phi N_{cb} = 7,446$ lbs > $N_{ua} = 4,000$ lbs $\phi N_a = 8,128$ lbs > $N_{ua} = 4,000$ lbs
Step 5	Calculate allowable stress design conversion factor for loading condition per ACI 318-14 Section 5.3.	$\alpha = 1.2D + 1.6L = 1.2(0.3) + 1.6(0.7) = 1.48$
Step 6	Calculate allowable stress design value per Section 4.2 of this report.	$T_{allowable,ASD} = \phi N_n / \alpha = 6,173$ lbs / 1.48 $T_{allowable,ASD} = 4,171$ lbs allowable stress design

FIGURE 2—EXAMPLE DESIGN CALCULATION

RED HEAD EPCON A7+ ADHESIVE ANCHOR INSTALLATION INSTRUCTIONS



* Water-saturated concrete, water-filled holes and submerged concrete applications require 4x's air, 4x's brushing and 4x's air

- 1)
 - Use a rotary hammer drill or pneumatic air drill with a carbide drill bit complying to ANSI B212.15-1994 tolerance requirements. Drill hole to the required embedment depth. See attached table for drill bit specifications and min/maximum embedment depths.
 - Installations may be used with maximum 1-1/4" diameter rods/rebar for floor, wall and overhead applications.
 - Per construction specification, adhere to minimum spacing, minimum edge distance, and minimum member thickness.
 - 2)
 - For dry holes, oscillate a clean air nozzle in and out of the dry hole two times, for a total of two seconds, starting at the bottom of the hole with contaminant-free compressed air, exhausting hole until visually clean (i.e., no dust, debris, etc.)
 - For water-saturated concrete and water-filled hole applications, oscillate a clean air nozzle in and out of the damp, water-filled or submerged hole four times, for a total of four seconds, starting at the bottom of the hole with contaminant-free compressed air, exhausting hole until visually clean (i.e., no dust, debris, etc.)
 - If required, use an extension on the end of the air nozzle to reach the bottom of the hole.
 - 3)
 - Select an appropriately sized Red Head brush for the anchor diameter. Brush must be checked for wear before use. See attached table for brush specifications, including minimum diameter.
 - Insert the brush into the hole with a clockwise motion. For every 1/2" forward advancement, complete one full turn until bottom of hole is reached. For faster and more suitable cleaning, attach the brush to a drill.
 - Using a clockwise motion, for every full turn of the brush, pull the brush 1/2" out of the hole.
 - For dry holes, twist/spin the brush two times in/out of the hole.
 - For water-saturated concrete and water-filled hole applications, twist/spin the brush four times in/out of the hole.
 - If required, use a wire brush extension (part nos. ESDS-38 or EHAN-38) to reach the bottom of the hole.
 - Air clean the dust off the brush to prevent clogging of the brush.
 - 4)
 - For dry holes, oscillate a clean air nozzle in and out of the dry hole two times, for a total of two seconds, starting at the bottom of the hole with contaminant-free compressed air, exhausting hole until visually clean (i.e., no dust, debris, etc.)
 - For water-saturated concrete and water-filled hole applications, oscillate a clean air nozzle in and out of the damp, water-filled or submerged hole four times, for a total of four seconds, starting at the bottom of the hole with contaminant-free compressed air, exhausting hole until visually clean (i.e., no dust, debris, etc.)
 - 5)
 - Review the Safety Data Sheet (SDS) before use.
 - Check the "Use By" date on the cartridge and that the cartridge has been stored in out of direct sunlight.
 - Review the gel time/cure time chart, based on the temperature at time of installation, in order to determine tool, cartridge and nozzle requirements.
 - Assemble the Red Head supplied cartridge and nozzle. Do not modify or remove mixing elements in nozzle.
 - 6)
 - If nozzle does not reach the bottom of the hole, use Red Head E25-6 extension tubing (0.44" O.D.) positioned on the end of nozzle or use the S75EXT (nozzle extension) on the end of the S75 nozzle.
 - Place the assembly into a hand injection tool or a pneumatic injection tool.
 - Dispense mixed adhesive outside of hole until uniform color is achieved.
 - During installations, concrete must be between 14 and 110 degrees F, or artificially maintained.
 - Insert the nozzle to the bottom of the hole and inject the adhesive at an angle, leaving the nozzle tip always slightly below the fill level.
 - In a slow circular direction, work the adhesive into the sides of the hole, filling slowly to ensure proper adhesive distribution, until the hole is approximately 60% filled.
 - For holes that contain water, keep injecting the adhesive below the water in order to displace the water upward.
- HORIZONTAL AND OVERHEAD INJECTION OF ADHESIVE:**
- For 3/8" and 1/2" diameter anchors installed horizontal and overhead, the adhesive may be injected directly to the end of the hole using the Red Head E25-6 extension tubing (0.44" O.D.) for the 3/8" diameter anchors, and Red Head E916-6 extension tubing (0.56" O.D.) for the 1/2" diameter anchors.
 - For 5/8" diameter rod (#5 rebar) and larger anchors installed horizontal and overhead, assemble Red Head E916-6 extension tubing and appropriate sized piston plug on end of tubing:
 - PL-5834 for 3/8" & 3/4" diameter rod (No. 5 and No. 6 rebar)
 - PL-7810 for 7/8" & 1" diameter rod (No. 7 and No. 8 rebar)
 - PL-1250 for 1-1/4" diameter rod (No. 9 and No. 10 rebar)
 - The use of the Red Head pneumatic tool may be required for larger diameter anchors and/or deeper embedment installations at temperatures up to 110 degrees F.
- 6)
 - Immediately insert the oil, rust and scale free rod/rebar assembly to the required embedment depth, using a counterclockwise motion to ensure proper adhesive distribution.
 - The anchor rod/rebar must be marked with the required embedment depth.
 - For wall (horizontal) and overhead installations with concrete or adhesive over 70 degrees F, the anchor rod/rebar must be marked with the required embedment depth and assembled with a Red Head hole plug positioned on the rod/rebar at the required embedment depth.
 - After installing the anchor, the gap between the rod and the concrete must be completely filled with adhesive. The adhesive must fill voids, crevices and uniformly coat the rod and concrete.
 - After installation, do not disturb the anchor until the full cure time has elapsed. Overhead installations must be supported until full cure time has elapsed.
 - Adhesive must be fully cured before applying any load or torque. Do not over torque the anchor as this could adversely affect its performance.

FIGURE 3—RED HEAD EPCON A7+ ADHESIVE INSTALLATION INSTRUCTIONS

SPECIFICATIONS FOR INSTALLATION OF RED HEAD EPCON A7+ ADHESIVE ANCHORS IN CONCRETE

FOR INSTALLATION USING U.S. CUSTOMARY UNIT THREADED ROD

CHARACTERISTIC	SYMBOL	UNITS	NOMINAL ROD DIAMETER (inch)						
			3/8	1/2	5/8	3/4	7/8	1	1 1/4
Nominal carbide bit diameter	-	in.	7/16	9/16	3/4	7/8	1	1 1/8	1 3/8
Anchor embedment depth - minimum	$h_{ef, min}$	in.	2 3/8	2 3/4	3 1/8	3 1/2	3 1/2	4	5
Anchor embedment depth - maximum	$h_{ef, max}$	in.	7 1/2	10	12 1/2	15	17 1/2	20	25
Minimum spacing	s_{min}	in.	15/16	1 1/2	2 1/2	3	3 1/2	4	5
Minimum edge distance	c_{min}	in.	15/16	1 1/2	2 1/2	3	3 1/2	4	5
Minimum concrete thickness	h_{min}	in.	$h_{ef} + 1 1/4$			$h_{ef} + 2d_o$			
Maximum tightening torque for pretension clamping	T_{inst}	ft lb	9	16	47	70	90	110	370

FOR INSTALLATION USING U.S. CUSTOMARY UNIT REINFORCING BARS

CHARACTERISTIC	SYMBOL	UNITS	NOMINAL REBAR DIAMETER (inch)							
			No. 3	No. 4	No. 5	No. 6	No. 7	No. 8	No. 9	No. 10
Nominal carbide bit diameter	-	in.	7/16	5/8	3/4	7/8	1	1 1/8	1 1/4	1 3/8
Anchor embedment depth - minimum	$h_{ef, min}$	in.	2 3/8	2 3/4	3 1/8	3 1/2	3 1/2	4	4 1/2	5
Anchor embedment depth - maximum	$h_{ef, max}$	in.	7 1/2	10	12 1/2	15	17 1/2	20	22 1/2	25
Minimum spacing	s_{min}	in.	15/16	1 1/2	2 1/2	3	3 1/2	4	4 1/2	5
Minimum edge distance	c_{min}	in.	15/16	1 1/2	2 1/2	3	3 1/2	4	4 1/2	5
Minimum concrete thickness	h_{min}	in.	$h_{ef} + 1 1/4$			$h_{ef} + 2d_o$				

For SI: 1 inch = 25.4mm, 1 lbf = 4.45N, 1ft-lbf = 1.356N-m, 1psi = 0.006895MPa.

ANCHOR INSTALLATION

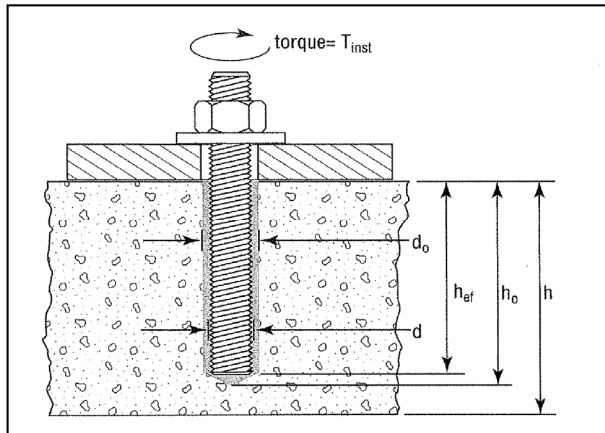


FIGURE 3—ITW RED HEAD A7+ ADHESIVE INSTALLATION INSTRUCTIONS (Continued)

BRUSH SPECIFICATIONS

Anchor diameter (in)	Brush Part No.	Minimum brush diameter (in)
3/8 No. 3	SB038	0.563
1/2 No. 4	SB012	0.675
5/8 No. 5	SB058	0.900
3/4 No. 6	SB034	1.125
7/8 No. 7	SB078	1.350
1 No. 8, and No. 9	SB010	1.463
1 1/4 No. 10	SB125	1.575

**MIXING NOZZLE, EXTENSION TUBING & PISTON PLUG SPECIFICATIONS
FOR HORIZONTAL AND OVERHEAD INSTALLATION ACCESSORIES**

Anchor diameter (in)	Mixing nozzle	Extension nozzle	Extension tubing	Piston plug
3/8	A24S	N/A ¹	E25-6 ⁴	N/A ¹
	S55			
1/2	A24S	N/A ¹	E916-6 ⁴	N/A ¹
	S55			
5/8	S75	S75EXT S75EXT	E916-6 ²	PL-5834 ³
3/4	S75	S75EXT	E916-6 ²	PL-5834 ³
7/8	S75	S75EXT	E916-6 ²	PL-7810 ³
1	S75	S75EXT	E916-6 ²	PL-7810 ³
1 1/4	S75	S75EXT	E916-6 ²	PL-1250 ³

¹N/A = not available

²For use with the mixing nozzle S75 and extension nozzle S75EXT for horizontal and overhead installation in accordance with Section 4.3 of this report.

³For use with the mixing nozzle S75, extension nozzle S75EXT and extension tubing E916-6 for horizontal and overhead installation in accordance with Section 4.3 of this report.

⁴For use with the mixing nozzle A24S or S55 for horizontal and overhead installation in accordance with Section 4.3 of this report.

CURE TIMES AND GEL TIMES FOR RED HEAD EPCON A7+ ADHESIVE

Concrete Temperature (°F) ^{1,2}	Gel Time ³	Cure Time ⁴
110	1.5 minutes	45 minutes
90	5 minutes	45 minutes
70	10 minutes	45 minutes
50	16 minutes	90 minutes
32	35 minutes	4 hours
14	35 minutes	24 hours

For SI: t° (°F-32) X .555 = °C.

¹Adhesive must be installed in concrete temperatures within the noted range or artificially maintained at the noted temperature.

²For concrete temperatures between 14°F and 32°F, adhesive must be maintained at a minimum of 32°F during installation.

³Gel time is the maximum time from the end of mixing to when the insertion of the anchor into the adhesive shall be completed and is based upon the adhesive and concrete temperatures noted.

⁴Cure time is the minimum time from the end of gel time to when the anchor maybe torque or loaded. Anchors are to be undisturbed during the cure time.

FIGURE 3—RED HEAD A7+ ADHESIVE INSTALLATION INSTRUCTIONS (Continued)

DIVISION: 03 00 00—CONCRETE
Section: 03 16 00—Concrete Anchors

DIVISION: 05 00 00—METALS
Section: 05 05 19—Post-Installed Concrete Anchors

REPORT HOLDER:

ITW RED HEAD

EVALUATION SUBJECT:

ITW RED HEAD A7+ ADHESIVE ANCHORING SYSTEMS FOR CRACKED AND UNCRACKED CONCRETE

1.0 REPORT PURPOSE AND SCOPE**Purpose:**

The purpose of this evaluation report supplement is to indicate that the ITW Red Head A7+ Adhesive Anchoring Systems for cracked and uncracked concrete, described in ICC-ES evaluation report [ESR-3903](#), have also been evaluated for compliance with the codes noted below as adopted by Los Angeles Department of Building and Safety (LADBS).

Applicable code editions:

- 2017 *City of Los Angeles Building Code* (LABC)
- 2017 *City of Los Angeles Residential Code* (LARC)

2.0 CONCLUSIONS

The ITW Red Head A7+ Adhesive Anchoring Systems for cracked and uncracked concrete, described in Sections 2.0 through 7.0 of the evaluation report [ESR-3903](#), comply with LABC Chapter 19, and LARC, and are subject to the conditions of use described in this report.

3.0 CONDITIONS OF USE

The ITW Red Head A7+ Adhesive Anchoring Systems described in this evaluation report must comply with all of the following conditions:

- All applicable sections in the evaluation report [ESR-3903](#).
- The design, installation, conditions of use and labeling of the anchoring systems are in accordance with the 2015 *International Building Code*® (2015 IBC) provisions noted in the evaluation report [ESR-3903](#).
- The design, installation and inspection are in accordance with additional requirements of LABC Chapters 16 and 17, as applicable.
- Under the LARC, an engineered design in accordance with LARC Section R301.1.3 must be submitted.
- The allowable and strength design values listed in the evaluation report and tables are for the connection of the anchoring systems to the concrete. The connection between the anchoring systems and the connected members shall be checked for capacity (which may govern).

This supplement expires concurrently with the evaluation report, reissued December 2021.

DIVISION: 03 00 00—CONCRETE

Section: 03 16 00—Concrete Anchors

DIVISION: 05 00 00—METALS

Section: 05 05 19—Post-Installed Concrete Anchors

REPORT HOLDER:

ITW RED HEAD

EVALUATION SUBJECT:

ITW RED HEAD A7+ ADHESIVE ANCHORING SYSTEMS FOR CRACKED AND UNCRACKED CONCRETE

1.0 REPORT PURPOSE AND SCOPE**Purpose:**

The purpose of this evaluation report supplement is to indicate that ITW Red Head A7+ adhesive anchoring systems, described in ICC-ES evaluation report ESR-3903, have also been evaluated for compliance with the code(s) noted below.

Applicable code edition(s):

- 2019 *California Building Code*® (CBC)

For evaluation of applicable chapters adopted by the California Office of Statewide Health Planning and Development (OSHPD) and Division of State Architect (DSA), see Sections 2.1.1 and 2.1.2 below.

- 2019 *California Residential Code*® (CRC)

2.0 CONCLUSIONS**2.1 CBC:**

The ITW Red Head A7+ adhesive anchoring systems, described in Sections 2.0 through 7.0 of the evaluation report ESR-3903, comply with CBC Chapter 19, provided the design and installation are in accordance with the 2018 *International Building Code*® (IBC) provisions noted in the evaluation report, and the additional requirements of CBC Chapters 16, 17 and 19, as applicable.

2.1.1 OSHPD:

The applicable DSA Sections and Chapters of the CBC are beyond the scope of this supplement

2.1.2 DSA:

The applicable DSA Sections and Chapters of the CBC are beyond the scope of this supplement.

2.2 CRC:

The ITW Red Head A7+ adhesive anchoring systems, described in Sections 2.0 through 7.0 of the evaluation report ESR-3903, comply with CRC Section R301.1.3, provided the design and installation are in accordance with the 2018 *International Building Code*® (IBC) provisions noted in the evaluation report and the additional requirements of CBC Chapters 16, 17 and 19.

This supplement expires concurrently with the evaluation report, reissued December 2021.

DIVISION: 03 00 00—CONCRETE**Section: 03 16 00—Concrete Anchors****DIVISION: 05 00 00—METALS****Section: 05 05 19—Post-Installed Concrete Anchors****REPORT HOLDER:**

ITW RED HEAD

EVALUATION SUBJECT:

ITW RED HEAD A7+ ADHESIVE ANCHORING SYSTEMS FOR CRACKED AND UNCRACKED CONCRETE

1.0 REPORT PURPOSE AND SCOPE**Purpose:**

The purpose of this evaluation report supplement is to indicate that Red Head A7+ Adhesive Anchoring System for Cracked and Uncracked Concrete, described in ICC-ES evaluation report ESR-3903, has also been evaluated for compliance with the codes noted below.

Compliance with the following codes:

- 2017 *Florida Building Code—Building*
- 2017 *Florida Building Code—Residential*

2.0 PURPOSE OF THIS SUPPLEMENT

This supplement is issued to indicate that the Red Head A7+ Adhesive Anchoring System for Cracked and Uncracked Concrete described in Sections 2.0 through 7.0 of the evaluation report, ESR-3903, complies with the *Florida Building Code—Building* and the *Florida Building Code—Residential*, when designed and installed in accordance with the 2015 *International Building Code*® provisions noted in the evaluation report.

Use of the Red Head A7+ Adhesive Anchoring System has also been found to be in compliance with the High-Velocity Hurricane Zone provisions of the *Florida Building Code—Building* and the *Florida Building Code—Residential*.

For products falling under Florida Rule 9N-3, verification that the report holder's quality assurance program is audited by a quality assurance entity approved by the Florida Building Commission for the type of inspections being conducted is the responsibility of an approved validation entity (or the code official, when the report holder does not possess an approval by the Commission).

This supplement expires concurrently with the evaluation report, reissued December 2021.