

## HardieTrim® Boards Products Description

HardieTrim® boards come finished with either the PrimePlus® factory primer and sealer or with ColorPlus® Technology. The ColorPlus® coating is a factory-applied, oven-baked finish available on a variety of James Hardie® siding and trim products. See your local dealer for details and availability of products, colors, and accessories.

### HARDIETRIM® 5/4, 4/4 BOARDS

HardieTrim® 5/4, 4/4 board is a decorative non-load bearing trim product. HardieTrim 5/4 board is 1 in. thick, HardieTrim 4/4 board is 3/4 in thick, and both can be purchased in 10 ft. and 12 ft. lengths, based on local availability. In addition to frieze, rake, window, door, and corner details, HardieTrim 5/4, 4/4 boards may be used to construct light blocks, column wraps and decorative scroll work. Available in commonly-used nominal widths from 4 in to 12 in.

### HARDIETRIM® BATTEN BOARDS

HardieTrim® Batten Boards are a decorative non-load bearing trim product. HardieTrim® Batten Boards are 3/4 in. thick, 2 1/2 in. wide, and come on 12 ft. lengths. See your local dealer for details and availability of product colors and accessories.



HardieTrim 5/4, 4/4 board - Smooth



HardieTrim Batten board - Rustic and Smooth (not shown)



HardiePanel vertical siding with HardieTrim Batten board for the Board & Batten look.

### A Complete James Hardie Exterior – Close-up on trim products.



*ColorPlus TIP: HardieTrim 4/4, 5/4 boards with ColorPlus Technology is shipped with a protective laminate slip sheet. James Hardie recommends keeping the protective sheet in place during cutting and fastening to reduce damage to the boards. Remove the protective sheet only after installing the boards and filling the nail holes with a colored touch-up pen.*



## WARNING

**DO NOT caulk nail heads when using ColorPlus products. Refer to the ColorPlus touch-up section**

# Installation of HardieTrim® 5/4, 4/4 & NT3® Back Grooved Boards

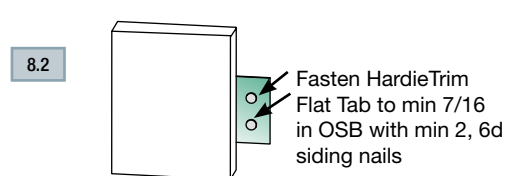
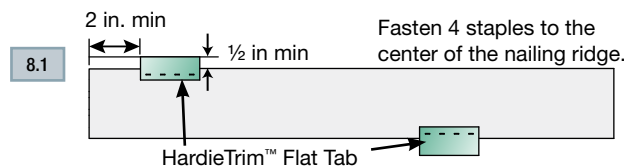
## CONCEALED FASTENING TABS

For Corners, Band Boards, Windows, and Door Applications: HardieTrim® boards can be installed with Flat Tabs (JH sku no. 280154) and Corner Tabs (JH sku no. 280155) which provide concealed fastening. Only Flat and Corner Tabs can be used with HardieTrim® boards to create a concealed fastening. Additional framing may be required to ensure the Flat and Corner Tabs are fastened properly to the structure. Special attention should be paid to the framing when using a sheathing that does not have fastener holding equivalent to OSB or Plywood sheathing.

Step 1: Attach Flat Tabs to the back side of the trim with 4 18 ga. ½ in L x ¼ in W narrow crown corrosion resistant staples, equally spaced in one row, positioned no closer than ½ in from trim edges, using a pneumatic staple gun. (Figure 8.1)

Step 2: For wood frame construction, attach the trim to the building using 2, 6d siding nails fastened through the Flat Tabs. ET&F or equivalent fasteners may be used to attach the Flat Tabs to steel frame construction. (Figures 8.2)

Fastener spacing will vary based on application. Refer to specific sections in these instructions for required fastener spacing by application (window, band board, etc.). (Figures 8.14)



Installation of HardieTrim tabs in Coastal Regions:

James Hardie requires that stainless steel staples & fasteners be used when installing HardieTrim™ Tabs in coastal regions.

Installation of HardieTrim Tabs over Pressure Treated Lumber:

HardieTrim™ tabs shall not come in direct contact with ACQ or CA preservative-treated wood. Refer to the General Fastening section of this document for further information.

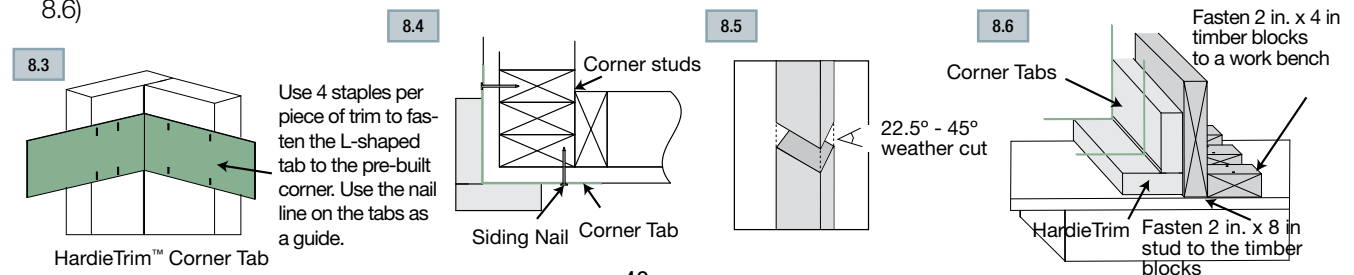
HardieTrim NT3® ColorPlus® boards with back grooves:

Remove the laminate sheet as soon as possible after attaching the trim to the building.

## TRIMMING CORNERS

HardieTrim® boards are installed around corners by pre-building the corner off the wall with the Corner Tabs (JH sku no. 280155).

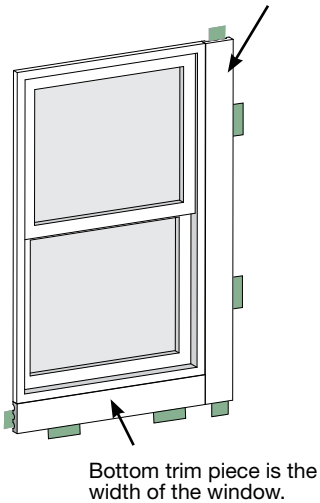
- Attach Corner Tabs to the back side of the trim with 8 18 ga. 1/2 in. L x 1/4 in W narrow crown corrosion resistant staples using a pneumatic staple gun. Ensure the Corner Tabs are fastened tight and straight to the trim boards. (Figures 8.3)
- For wood frame construction, attach the trim to the building with 2, 6d siding nails fastened through the Corner Tabs. ET&F or equivalent fasteners may be used to attach the Corner Tabs to steel frame construction. (Figures 8.4)
- Attach a Corner Tab 1 in. from each edge and every 20 in o.c.
- TIP: Creating a jig for the work station is recommended to ensure the corners are fastened securely and straight. (Figures 8.6)



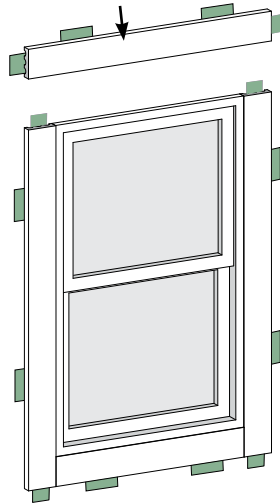
## TRIM APPLICATION FOR WINDOWS, DOORS & OTHER OPENINGS

Trim the opening prior to the installation of the siding (Figure 8.7). Place a Flat Tab at the end of each trim board and one tab every 16 in OC. Attach the trim boards and Flat Tabs around the opening as shown in Figures 8.7 and 8.8.

8.7 Side trim pieces go to the top of the window.



8.8 Header piece spans the window including the side trim pieces.

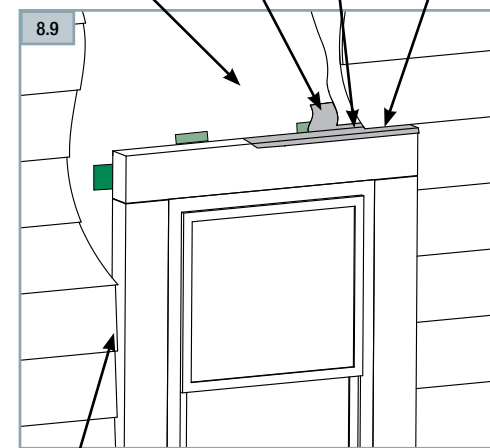


Flashing needs to be tucked under the water resistive barrier and over the Flat Tabs.

Do not caulk between the siding and the flashing.

Water-resistive Barrier

1/4 in. gap

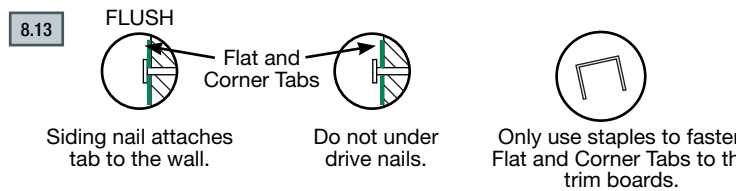
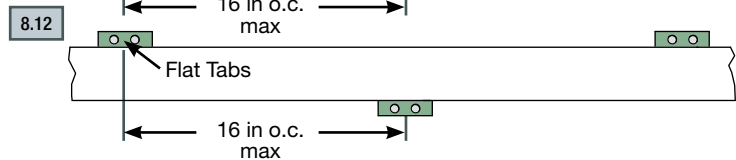
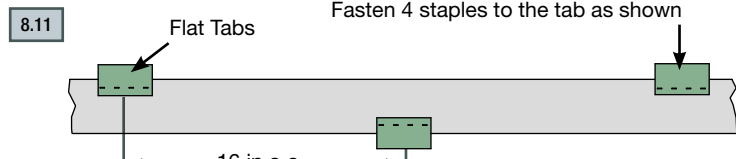
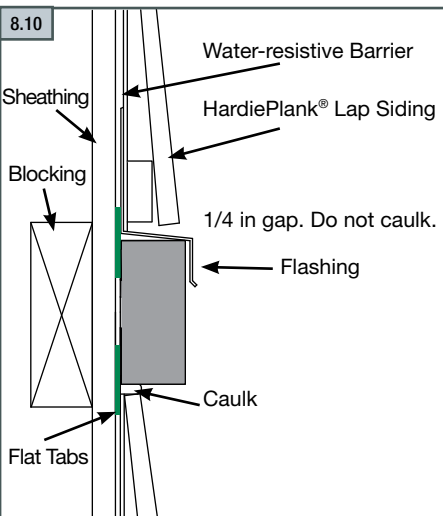


1/8 in caulked gap is left between siding and the side trim pieces.

NOTE: Follow your window/door manufacturers installation instructions.

## BAND BOARD

A flashing is required over the trim and Flat Tabs. (Figure 8.10) Terminate ends of the Band Board into Trim or Siding or miter cut the edges of the trim at the corners of the building. Place a Flat Tab at the end of each trim board and one tab every stud at a maximum of 16 in. o.c. The Flat Tabs should be attached to the trim in an alternating pattern to the top and bottom of the band board (Figures 8.11 and 8.12).



# Installation of HardieTrim® 5/4, 4/4 & NT3® Back Grooved Boards

## FASTENER TABLE

8.14

Application	Framing Material Tab is nailed into	Fastener (tab to framing)	Fastener (tab to Hardietrim)	Max Tab Spacing (inches on center)
Flat Tab	Wood Stud (minimum G=0.42)	One 6d corrosion resistant siding nail installed through center of flange into framing	Four 18 ga. X 1/2" long X 1/4" wide corrosion resistant crown staples, equally spaced in one row	16
	Minimum APA rated 7/16" OSB	Two 4d ring shank corrosion resistant siding nails equally spaced installed through flange into framing		
	Minimum 20 gauge steel	One No. 8 X 1" long X 0.323" head diameter screw (corrosion resistant) installed through flange into framing		
Corner Tab	Wood Stud (minimum G=0.42)	On each flange, Install one 6d corrosion resistant siding nail through flange into framing	For each piece of trim, install Four 18 ga. X 1/2" long X 1/4" wide corrosion resistant crown staples, equally space in two rows	20
	Minimum APA rated 7/16" OSB	On each flange, Install two 4d ring shank corrosion resistant siding nails through flange into framing		
	Minimum 20 gauge steel	On each flange, Install one No. 8 X 1" long X 0.323" head diameter screw (corrosion resistant) through flange into framing		

Wind-Borne Debris Region: "Supplemental fasteners may be necessary when installing tabs in a Wind-Borne Debris Region, please call Technical Services 800-942-7343 with any questions."

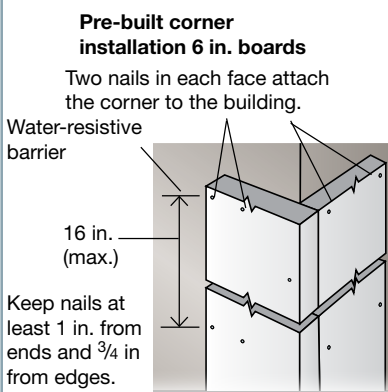
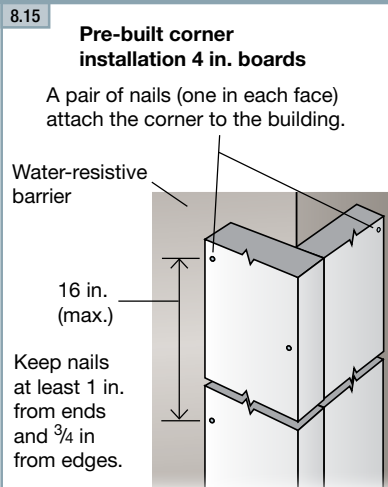
**RECOGNITION:** HardieTrim boards may be installed as an equal alternative to conventional trim permitted for use in; the 1997 Uniform Building Code, Section 601.5.5; the 1997 Standard Building Code, Section 1404.1; the 1999 BOCA National Building Code, Section 1407.2.2; 2003 International Building Code, Section 1402.1, the 2003 International Residence Code for One - and Two - Family - Dwellings, Section R703.1. the 2003 International Residence Code for One - and Two - Family - Dwellings, Section R703.1. and the 1998 International One-and -Two -Family Dwelling Code, Section 601.1.

## OUTSIDE CORNERS

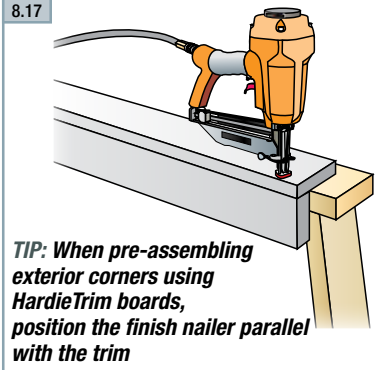
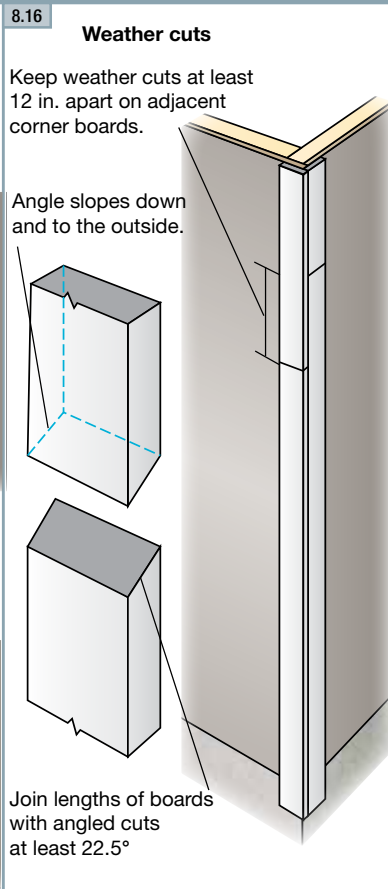
Corners made from HardieTrim® 5/4, 4/4 boards can be pre-assembled before they're installed. Pre-assembled corners look better and generally make the installation go more quickly. To join two pieces of HardieTrim 5/4, 4/4 boards for a corner, drive 2 in. 16 ga. corrosion-resistant finish nails 1/2 in. from the edge and spaced 16 in. apart along the edge.

To fasten 4 in. corners to the wall, drive a pair of finish nails or siding nails, (one nail into each face of the corner) with the nails spaced 16 in. apart. For 6 in. corners, drive a pair of finish nails or siding nails into each face spaced 16 in. apart. Nails should be kept 3/4 in. from the edges of the board and 1 in. from the ends.

When walls are more than 10 ft high, splice corner boards together using weather cuts of at least a 22.5° angle. The angle of the weather cut must slope downward and away from the building. Then nail both boards to the building with the same attachment schedule as for pre-assembled corners, except that 4 in. HardieTrim 5/4, 4/4 boards that should get two nails per side every 16 in. Only install trim by butting to it with the siding. Do not install any trim product over James Hardie® siding.



**NOTE:** All weather cut joints should be touched up prior to installation.

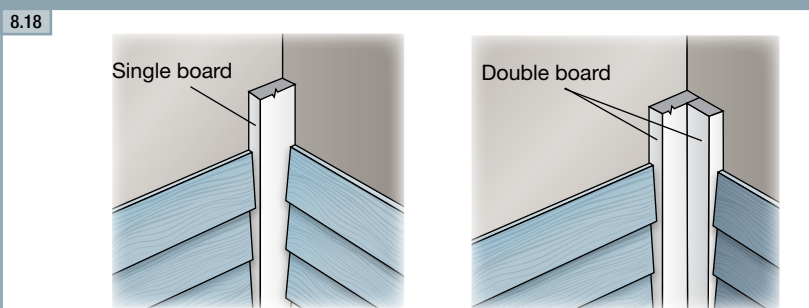


**WARNING**

Use only 2 in. 16-ga. finish nails to pre-assemble HardieTrim 5/4 boards corners.

## INSIDE CORNERS

Inside corners can be made with either a single HardieTrim 5/4, 4/4 board in the corner, or with one board on each wall depending on the desired look.





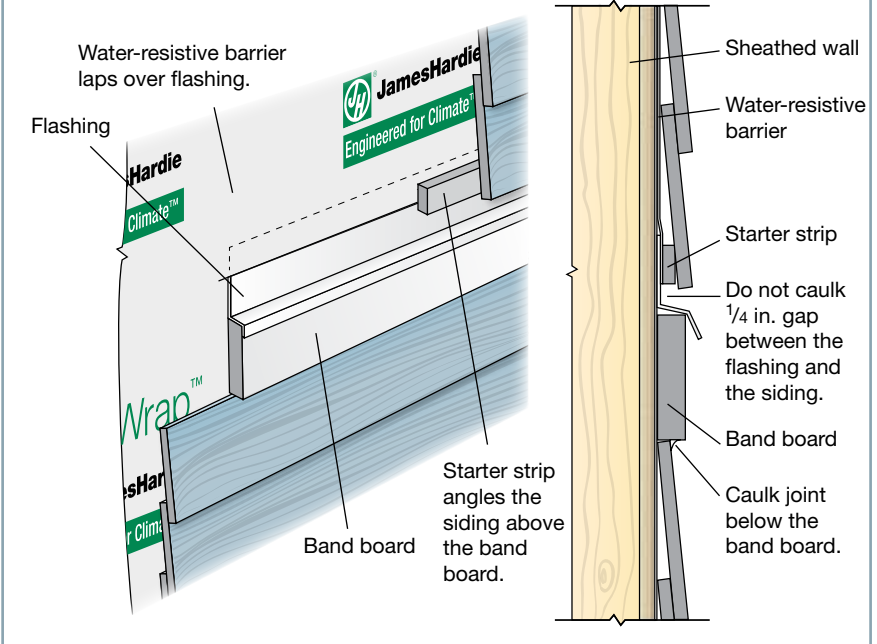
# Installation of HardieTrim® 5/4, 4/4 & NT3® Back Grooved Boards

## BAND BOARD

A Band board is a decorative horizontal trim used to break up the field of siding on a building. Any width of HardieTrim® 5/4, 4/4 boards can be used for band board depending on the type of detail desired. If installing a band board, pay special attention to flashing details and allow for potential shrinkage of solid rim joists in the walls that the band board may be attached to.

Caulk between the underside of the band board and the siding below. Do not caulk between the flashing and siding above the band board, and maintain a 1/4 in. gap between the two. Also make sure that the water-resistive barrier laps over the flashing for a continuous

8.19

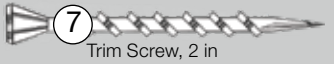
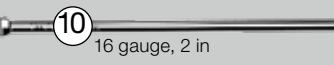
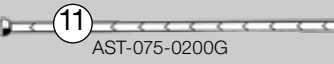



drainage plane. If running lap siding or shingle siding above the band board, a starter strip should be installed first to maintain the correct siding angle. Small Periodic gaps should be left in the starter strip to provide an escape route for excess moisture that may drain down behind the siding.

Use bevel-cut splice joints of at least 22.5° to join long lengths of HardieTrim 5/4, 4/4 boards. To attach band board to the building, drive two recommended fasteners every 16 in. for 4 in. and 6 in. boards. For 8 in. boards, use three fasteners every 16 in., and use four fasteners every 16 in. for 12 in. boards.

## HARDIETRIM BOARDS FASTENER SPECIFICATIONS

The Fastener Specifications table shows fastener options for a variety of different nailing substrates. Please refer to the applicable ESR report online (see back page) to determine which fastener meets your wind load design criteria.

Fastening Substrate	Approved Fastener	Fastening Types	Nailing Patterns
wood studs	10	 Trim Screw, 2 in — screw	<b>Pre-built corners</b> 4 in. 1 nail every 16 in to attach boards together 6 in. 1 nail every 16 in for each board 6 in. 1 nail every 16 in to attach boards together 2 nails every 16 in for each board
over minimum 7/16 in OSB	10	 16 gauge, 2 in — finish nail	
steel studs	7 12 11	 AST-075-0200G — ET&F finish nail	<b>Site-built corners &amp; other areas (eg. windows, etc.)</b> 4 in. & 6 in. 2 nails every 16 in 8 in. 3 nails every 16 in 12 in. 4 nails every 16 in
Pre-built corners	10	 [AKN100-0150NA] .100 in x .25 in x 1.5 in — ET&F	

10 indicates recommended fasteners

TIP: James Hardie recommends using stainless steel finish nails when installing HardieTrim (Trim, Battens, Fascia, etc.) products.

## WINDOW AND DOOR TRIM

Windows and doors must be installed per the manufacturer's instructions. Window flanges or flashings must be properly installed and lapped correctly under the water-resistive barrier prior to the installation of HardieTrim® 5/4, 4/4 boards. Once the HardieTrim 5/4, 4/4 boards is put on, proper flashing must be installed above the trim and lapped under the water-resistive barrier correctly.

Install HardieTrim 5/4, 4/4 boards around doors and windows using the "cap over" method, which means that the header or horizontal top piece of the trim extends and caps over the vertical jamb pieces on both sides. For windows, the bottom trim piece or sill trim fits in between the jambs.

For cap-over trim installation:

1. Start by measuring the length of the bottom edge of the window, not including the flange.
2. Cut a piece of trim to that length and install it.
3. Next measure from the bottom of the installed trim to the top of the window.
4. Cut two pieces of trim to that length and install them on either side of the window.
5. For the cap, measure the distance between the outside edges of the side trim pieces. Cut a piece of trim to length and install it.

For doors the process is the same except that it starts with the side pieces, step three.

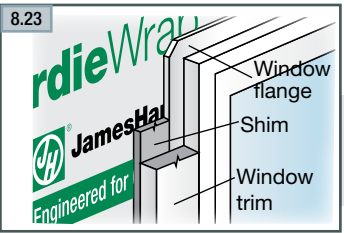
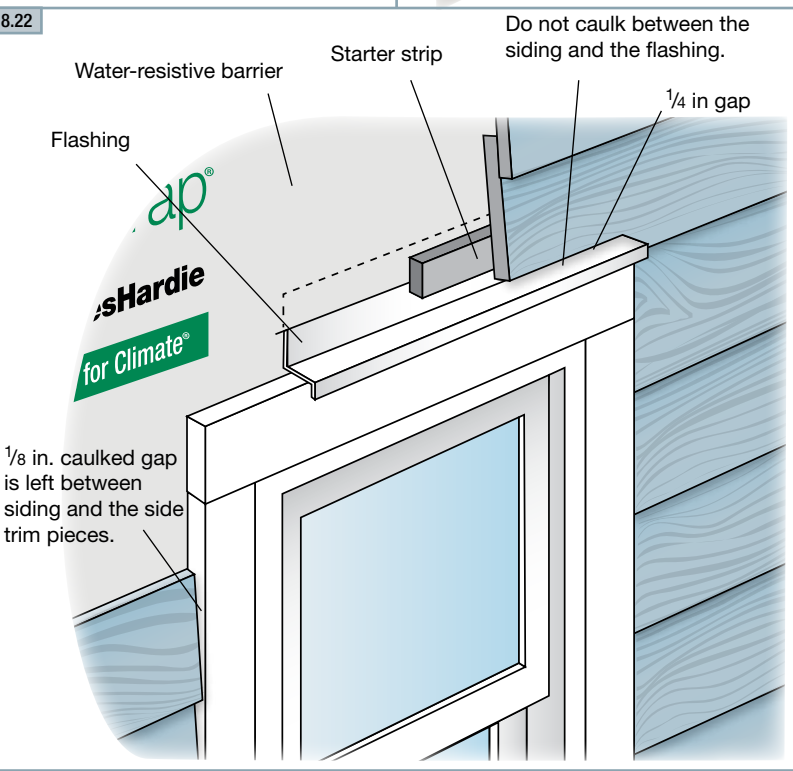
8.20 Window and door trim



8.21



8.22



**TIP:** For trimming around windows and doors with attachment flanges, install a shim strip to build out the wall even with the flange. This strip lets the trim sit flat and parallel with the wall.

# Installation of HardieTrim® 5/4, 4/4 & NT3® Back Grooved Boards

## INSTALLING RAKE AND FASCIA BOARD

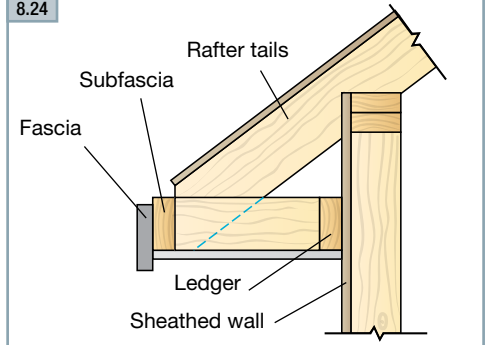
HardieTrim boards can be fastened directly over a 2x sub-fascia or directly to rafter tails. Check local building code for relevant codes. James Hardie recommends that the fascia be no more than 2 in. larger than the subfascia, e.g. over a nominal 2 x 6 subfascia, install an 8 in. fascia board (7¼ in. actual) fascia. On longer fascia runs, join HardieTrim boards with weather/bevel cuts.



### WARNING

Use only 2 in. 16-ga. finish nails to pre-assemble HardieTrim 5/4, 4/4 board corners.

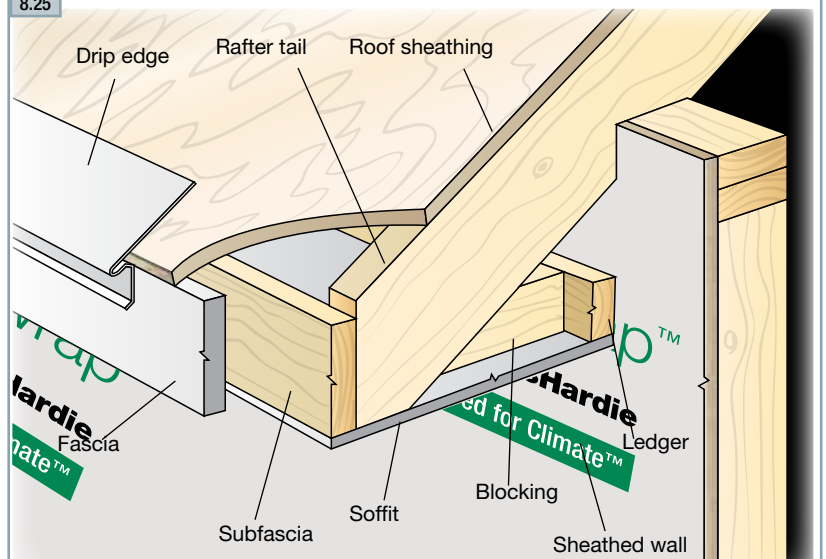
8.24



## DRIP EDGE

After the fascia is installed, a vinyl, coated aluminum or galvanized drip-edge flashing must be installed to the roof sheathing overlapping the fascia board. The drip edge helps protect the top edge of the fascia board and it minimizes water ingress into the soffit and/or cornice cavity. Choose a drip edge design that effectively channels water away from the face of the fascia and into gutters if present.

8.25





# Installation of HardieTrim® Battens

General Product Information

Working Safety

Tools for Cutting and Fastening

General Installation Requirements

General Fastener Requirements

Finishing and Maintenance

HardieWrap® Weather Barrier

HardieTrim® Boards/Battens

HardieSoft® Panels

HardiePlank® Lap Siding

HardieShingle® Siding

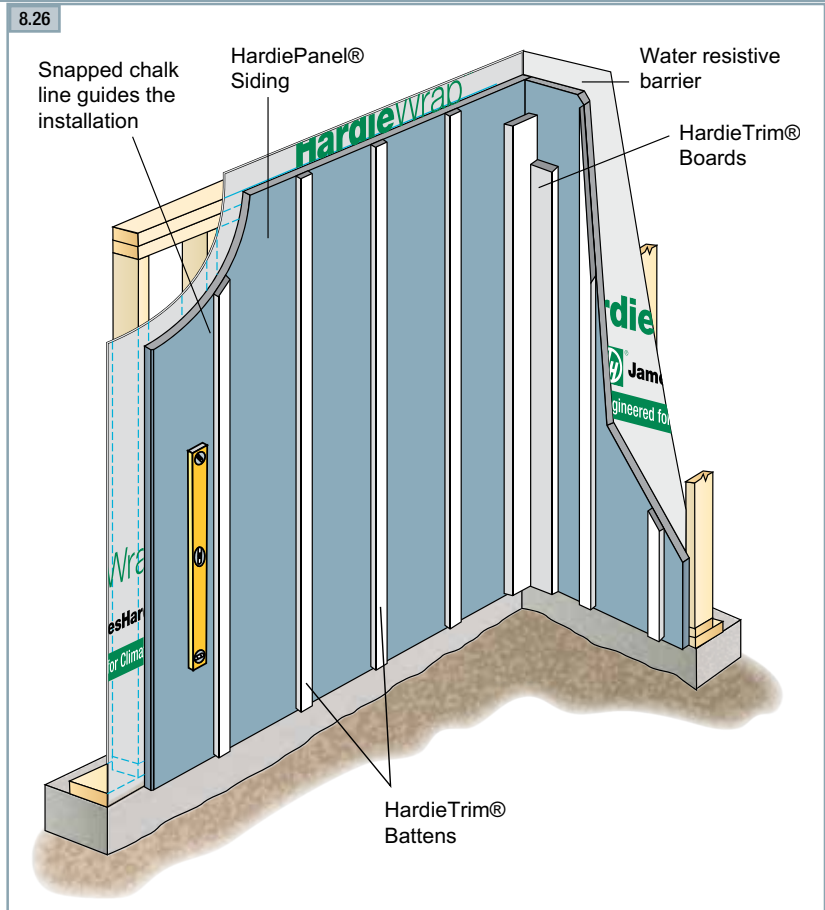
HardiePanel® Vertical Siding

Appendix/Glossary

ESR-1844 & 2290 Report

## GETTING STARTED

HardieTrim® Battens are intended to be used with HardiePanel® vertical siding to achieve a board and batten look. HardieTrim Battens must be attached to wood or steel backing using an approved fastener from the table below. When installing HardieTrim Battens, determine layout and mark where battens will be attached. To ensure that HardieTrim Battens are installed vertically and parallel to each other, either snap chalk lines or use a level. When attaching battens ensure that fasteners are a minimum of 3/4 in. from edges, 1 in. from ends, and a maximum of 16 in. o.c.



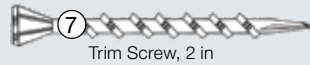
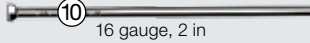
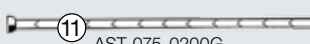

### ColorPlus® TIP:

HardieTrim Battens with ColorPlus® Technology are shipped with a protective laminate slip sheet. James Hardie recommends keeping the protective sheet in place during cutting and fastening to reduce damage to the boards. Remove the protective sheet only after installing the boards and filling the nail holes with a colored touch-up pen. Finish nails are required for ColorPlus products.



## HARDIETRIM BATTENS FASTENER SPECIFICATIONS

The Fastener Specifications table shows fastener options for a variety of different nailing substrates. Please refer to the applicable ESR report online (see back page) to determine which fastener meets your wind load design criteria.

Fastening Substrate	Approved Fastener	Fastener Types
wood studs	10	 <span style="float: right;">screw</span> Trim Screw, 2 in
over minimum 7/16 in OSB	10	 <span style="float: right;">finish nail</span> 16 gauge, 2 in
steel studs	7 12 11	 <span style="float: right;">ET&amp;F finish nail</span> AST-075-0200G
		 <span style="float: right;">ET&amp;F</span> [AKN100-0150NA] .100 in x .25 in x 1.5 in

● Indicates recommended fasteners. Required for ColorPlus Products.

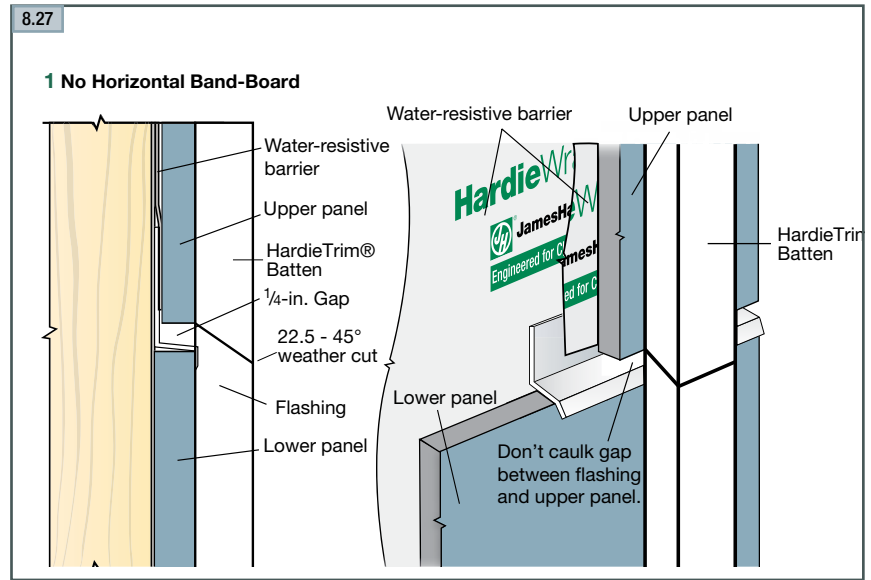
TIP: James Hardie recommends using stainless steel finish nails when installing HardieTrim (Trim, Battens, Fascia, etc.) products.

# Installation of HardieTrim® Battens (cont.)

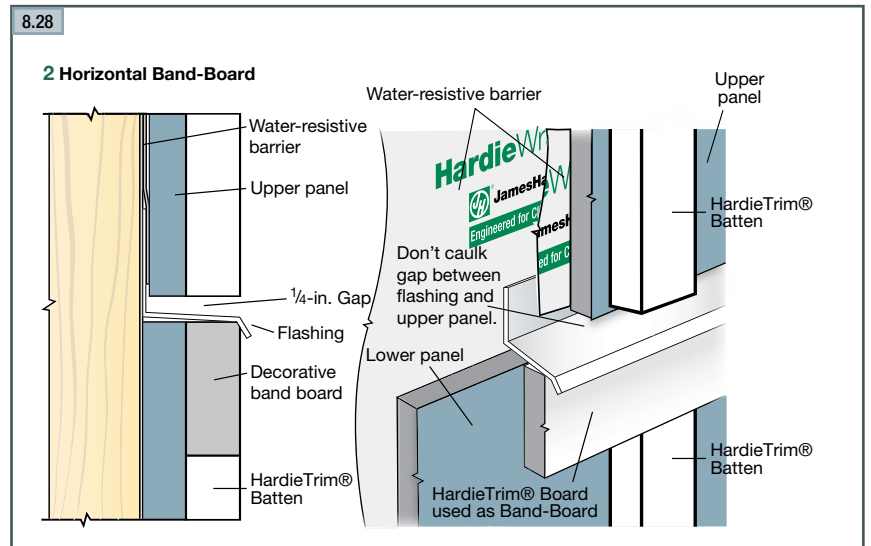
## HORIZONTAL JOINT TREATMENT

Horizontal HardieTrim® Batten joints must occur at the same location as horizontal joints in HardiePanel® siding. Install horizontal HardieTrim Batten joints by using one of the following options:

1. If HardieTrim Battens are going to be installed over horizontal panel joints without the use of a horizontal band board, follow the procedure as illustrated in fig. 8.27. Start installing HardieTrim Battens by creating a weather-cut of at least a 22.5° angle, making a joint at the same location as the panel joint. Attach the bottom batten. Make sure the top batten has a matching weather-cut and then install top batten.



2. If HardieTrim Battens are to be installed over horizontal panel joints with the use of a horizontal band board, follow the procedure as illustrated in fig. 8.28. If HardieTrim Battens are to be installed horizontally, they must be installed in the same manner as in fig. 8.28. Make sure the horizontal Z-flashing is installed over both the lower panel and the horizontal band board. Attach the bottom batten tight to the bottom edge of the band board. Next, leaving a minimum 1/4 in. gap above the horizontal Z-flashing, install the top batten.



## WARNING

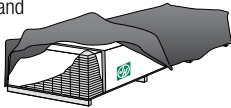
**Do not bridge floors with HardieTrim Battens and/or HardiePanel Siding. A horizontal joint should always be created between floors.**



**IMPORTANT: FAILURE TO FOLLOW JAMES HARDIE WRITTEN INSTALLATION INSTRUCTIONS AND COMPLY WITH APPLICABLE BUILDING CODES MAY VIOLATE LOCAL LAWS, AFFECT BUILDING ENVELOPE PERFORMANCE AND MAY AFFECT WARRANTY COVERAGE. FAILURE TO COMPLY WITH ALL HEALTH AND SAFETY REGULATIONS WHEN CUTTING AND INSTALLING THIS PRODUCT MAY RESULT IN PERSONAL INJURY. BEFORE INSTALLATION, CONFIRM YOU ARE USING THE CORRECT HARDIEZONE® PRODUCT INSTRUCTIONS BY VISITING HARDIEZONE.COM OR CALL 1-866-942-7343 (866-9-HARDIE)**

**STORAGE & HANDLING:**

Store flat and keep dry and covered prior to installation. Installing siding wet or saturated may result in shrinkage at butt joints. Carry planks on edge. Protect edges and corners from breakage. James Hardie is not responsible for damage caused by improper storage and handling of the product.



**CUTTING INSTRUCTIONS**

**OUTDOORS**

1. Position cutting station so that airflow blows dust away from the user and others near the cutting area.
2. Cut using one of the following methods:
  - a. Best: Circular saw equipped with a HardieBlade® saw blade and attached vacuum dust collection system. Shears (manual, pneumatic or electric) may also be used, not recommended for products thicker than 7/16 in.
  - b. Better: Circular saw equipped with a dust collection feature (e.g. Roan® saw) and a HardieBlade saw blade.
  - c. Good: Circular saw equipped with a HardieBlade saw blade.

**INDOORS**

- DO NOT grind or cut with a power saw indoors. Cut using shears (manual, pneumatic or electric) or the score and snap method, not recommended for products thicker than 7/16 in.
- DO NOT dry sweep dust; use wet dust suppression or vacuum to collect dust.
  - For maximum dust reduction, James Hardie recommends using the "Best" cutting practices. Always follow the equipment manufacturer's instructions for proper operation.
  - For best performance when cutting with a circular saw, James Hardie recommends using HardieBlade® saw blades.
  - Go to jameshardiepros.com for additional cutting and dust control recommendations.

**IMPORTANT:** The Occupational Safety and Health Administration (OSHA) regulates workplace exposure to silica dust. For construction sites, OSHA has deemed that cutting fiber cement with a circular saw having a blade diameter less than 8 inches and connected to a commercially available dust collection system per manufacturer's instructions results in exposures below the OSHA Permissible Exposure Limit (PEL) for respirable crystalline silica, without the need for additional respiratory protection.

If you are unsure about how to comply with OSHA silica dust regulations, consult a qualified industrial hygienist or safety professional, or contact your James Hardie technical sales representative for assistance. James Hardie makes no representation or warranty that adopting a particular cutting practice will assure your compliance with OSHA rules or other applicable laws and safety requirements.

**HardieTrim® boards are decorative non-load bearing trim products.**

**Do not use HardieTrim boards to replace any structural component.**

**TABLE OF CONTENTS**

**GENERAL REQUIREMENTS** ..... Page 1

**FLASHING/CLEARANCE REQUIREMENTS** ..... Page 2

**FASTENING** ..... Page 3

    Face Nailing Requirements ..... Page 3

**INSTALLATION** ..... Page 4-8

    Trimming Corners ..... Page 4

    Openings ..... Page 4

    Band Boards ..... Page 4

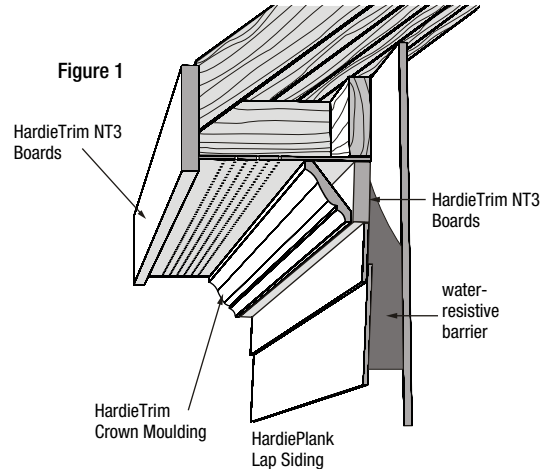
    Frieze ..... Page 4

    Batten Boards ..... Page 5

    Fascia ..... Page 6

    HardieTrim™ Tabs ..... Page 7-8

**FINISHING** ..... Page 9



**GENERAL REQUIREMENTS**

- Wood or steel must be provided for attaching HardieTrim boards.
- Follow all applicable codes when installing HardieTrim boards.
- DO NOT install HardieTrim boards, such that they may remain in contact with standing water.



## FLASHING/CLEARANCE REQUIREMENTS NO-COVER

HardieTrim may be installed with a minimum 1/4 in. clearance when installed vertically to grade, decks, paths, steps, and driveways

Maintain a minimum 2 in. horizontal clearance between James Hardie trim products and decks, paths, steps and driveways.

At the juncture of the roof and vertical surfaces, flashing and counter flashing shall be installed per the roofing manufacturer's instructions. Provide a 2 in. clearance between the roofing and the bottom edge of the trim.

Figure 2

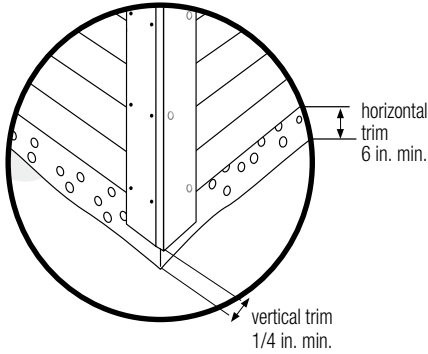


Figure 3

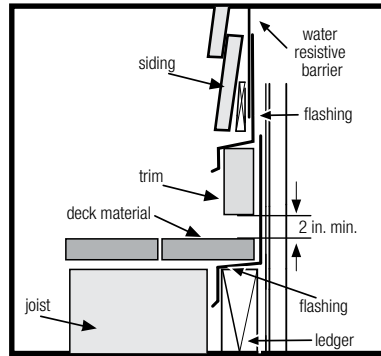
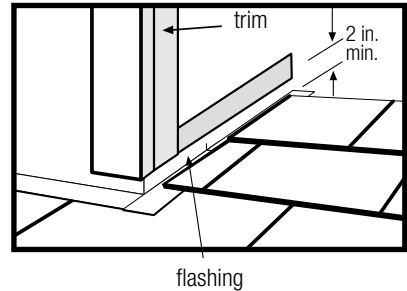


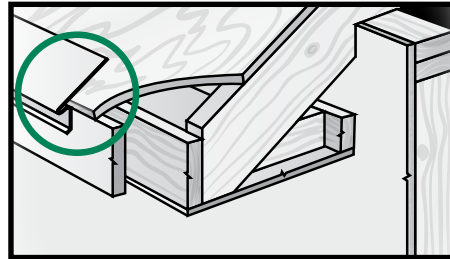
Figure 4



Maintain a 1/4 in. clearance between the bottom of James Hardie products and horizontal flashing. Do not caulk gap.

### Drip Edge

Figure 6 for fascia installation see page 6



### Mortar/Masonry

Figure 7

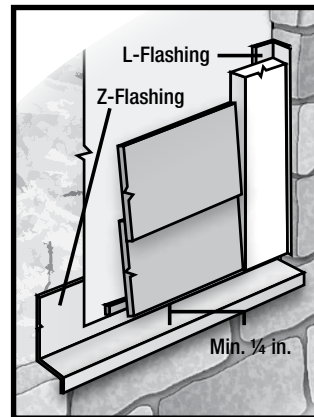
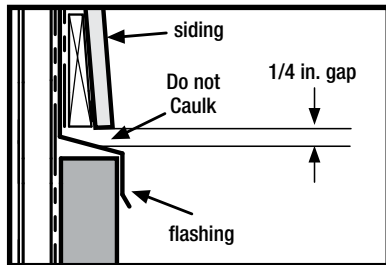
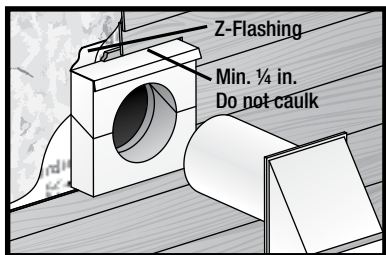


Figure 5



### Block Penetration Recommended in HZ10

Figure 8



### Valley/Shingle Extension

Figure 9

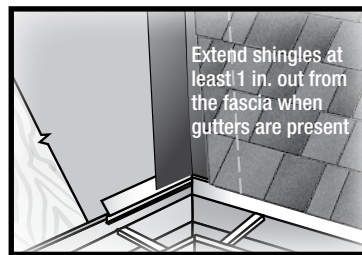
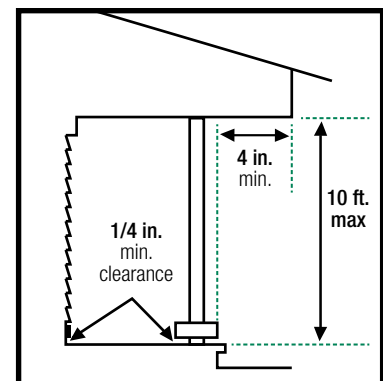


Figure 10



## CLEARANCE REQUIREMENTS UNDER-COVER

Maintain a 1/4 in. clearance for HardieTrim boards installed under cover. Under cover is defined as:

- Not more than 10 feet below a roof overhang, and
- Not less than 4 inches horizontally from the edge of the roof overhang



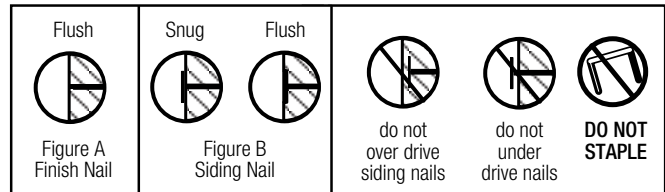
### GENERAL FASTENING REQUIREMENTS

Fasteners must be corrosion resistant, galvanized, or stainless steel. Electro-galvanized are acceptable but may exhibit premature corrosion. James Hardie recommends the use of quality, hot-dipped galvanized nails. James Hardie is not responsible for the corrosion resistance of fasteners. Stainless steel fasteners are recommended when installing James Hardie products near the ocean, large bodies of water, or in very humid climates.

Manufacturers of ACQ and CA preservative-treated wood recommend spacer materials or other physical barriers to prevent direct contact of ACQ or CA preservative-treated wood and aluminum products. Fasteners used to attach HardieTrim Tabs to preservative-treated wood shall be of hot dipped zinc-coated galvanized steel or stainless steel and in accordance to 2009 IRC R317.3 or 2009 IBC 2304.9.5.”

### PNEUMATIC FASTENING

James Hardie products can be hand nailed or fastened with a pneumatic tool. Pneumatic fastening is highly recommended. Set air pressure so that the fastener is driven snug with the surface of the trim. A flush mount attachment on the pneumatic tool is recommended. This will help control the depth the nail is driven. If setting the nail depth proves difficult, choose a setting that under drives the nail. (Drive under driven nails snug with a smooth faced hammer - Does not apply for installation to steel framing).



### FACE NAILING REQUIREMENTS

Use 2 in. minimum 16 ga. finish nails to attach HardieTrim boards to wood frame construction. ET&F or equivalent fasteners or screws may be used to attach HardieTrim boards to steel frame construction.

Fastening instructions are similar for all applications. When using finish nails, position nails no closer than 1/2 in. from the edges of the trim and for all other fasteners no closer than 3/4 in. Fasteners must be no closer than 1 in. from ends of trim and spaced a maximum of 16 in. O.C. Ensure trim is adequately fastened.

James Hardie recommends using stainless steel finish nails when installing HardieTrim products.

#### Minimum fastener guide for finish nailing:

	Pre-built corner	Site Built Corners	Other areas (e.g. window trim, and band boards)
4 in.	1 nail every 16 in. to attach boards together + 1 nail every 16 in. each board	2 nails every 16 in.	2 nails every 16 in.
6 in.	1 nail every 16 in. to attach boards together + 2 nails every 16 in. each board		
8 in.	-	3 nails every 16 in.	3 nails every 16 in.
12 in.	-	4 nails every 16 in.	3 nails every 16 in.

Use a 2 in. finish nail to fasten trim together. Longer finish nails may bend.

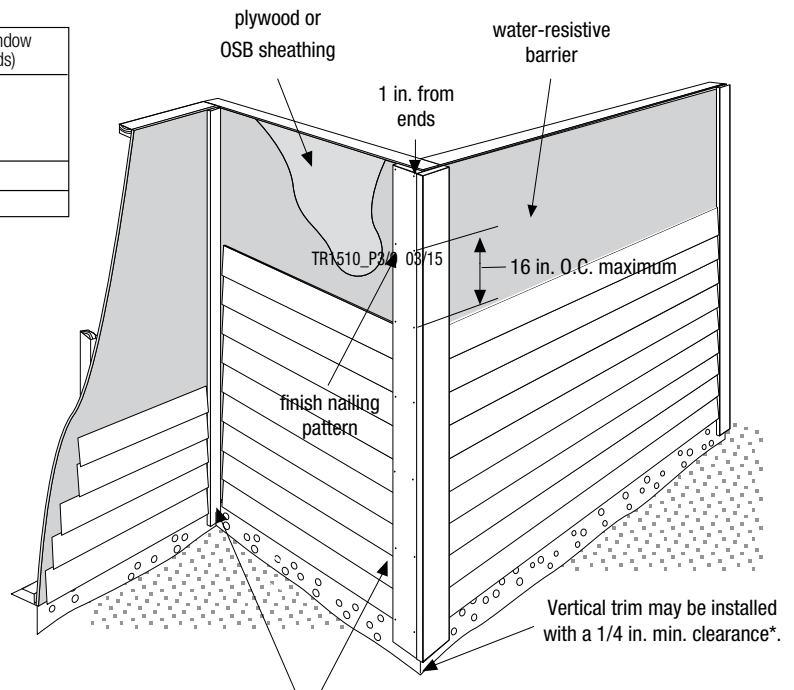


Figure 11

Leave a minimum 1/8 in. gap between the siding and trim, then caulk.

\*Follow all applicable codes when installing HardieTrim boards





# INSTALLATION

## TRIMMING CORNERS

When installing corners or other vertical trim, position boards on the wall and attach (figure 12).

### Pre-Built Corners

Alternatively, corners can be pre-built off the wall using 2 in. finishing nails. Each side of the pre-built corner must be secured to the wall (figure 13).

Figure 12

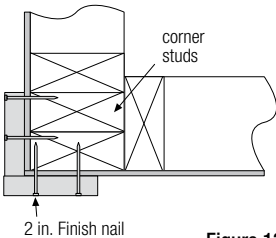
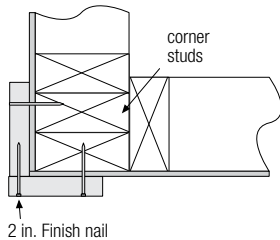
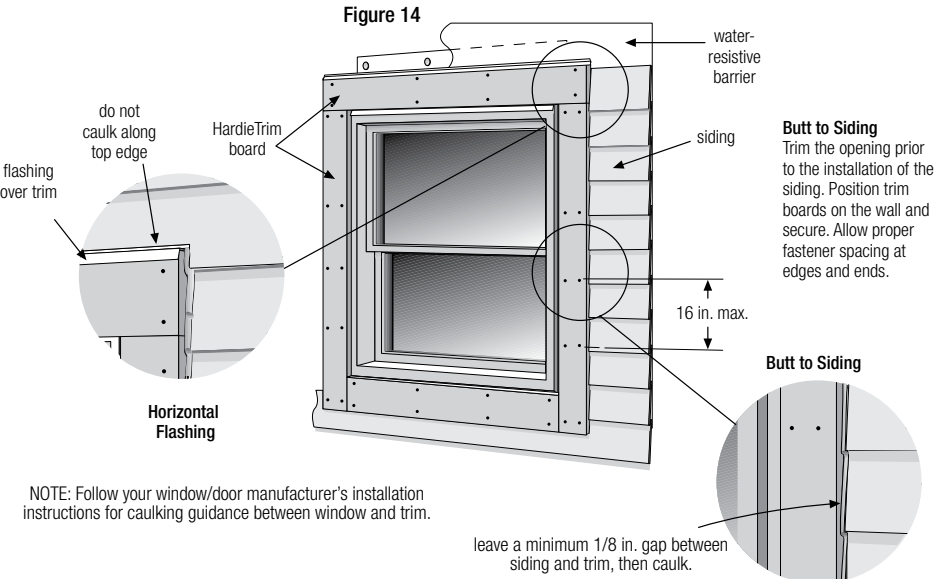


Figure 13



## TRIM APPLICATION FOR WINDOWS, DOORS & OTHER OPENINGS

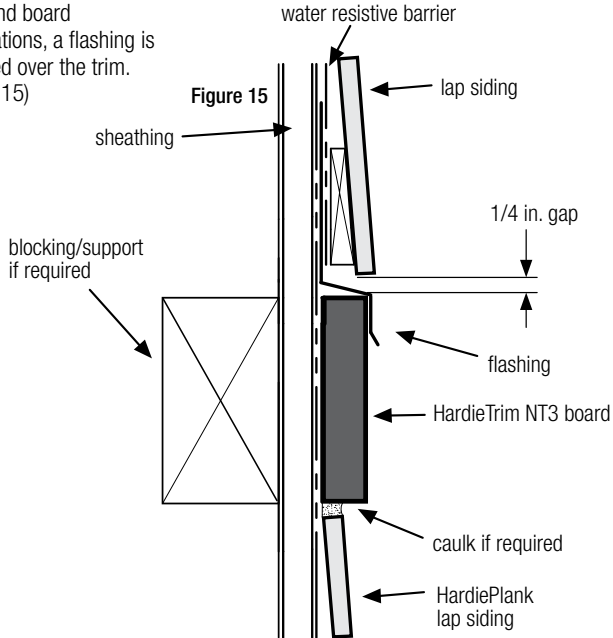
Flashing over trim is required per code for all installation methods. (figure 14)



NOTE: Follow your window/door manufacturer's installation instructions for caulking guidance between window and trim.

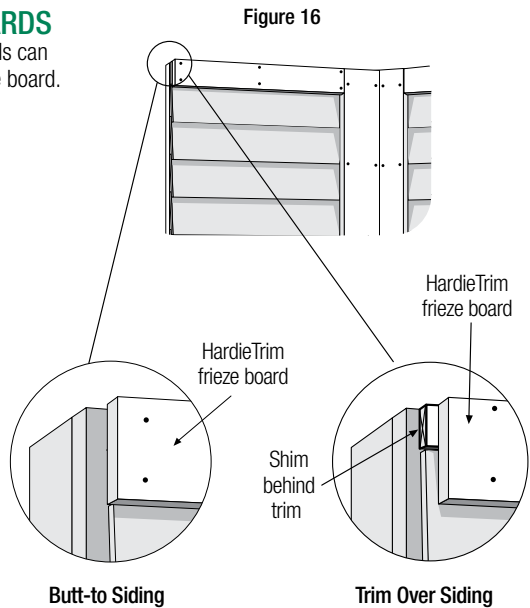
## BAND BOARD

For band board applications, a flashing is required over the trim. (figure 15)



## FRIEZE BOARDS

HardieTrim boards can be used as frieze board. (figure 16)



## BATTEN BOARDS

### HORIZONTAL PANEL JOINTS

At horizontal panel joints HardieTrim battens must be installed according to option 1 or 2 below. When installing HardieTrim Battens horizontally, they must be installed as a panel joint according to option 2.

**Option 1**

Figure 17 - No horizontal band board - Make a 22.5 - 45 degree weather cut, in the HardieTrim batten, just above the 1/4 in. clearance between panels.

**Option 2**

Figure 18 - Horizontal Band Board - Install a horizontal band board at the top of the bottom panel. Butt the lower batten to the band board and start the top batten at the bottom edge of the top panel. Maintain a 1/4 in. clearance above horizontal flashing.

Figure 17

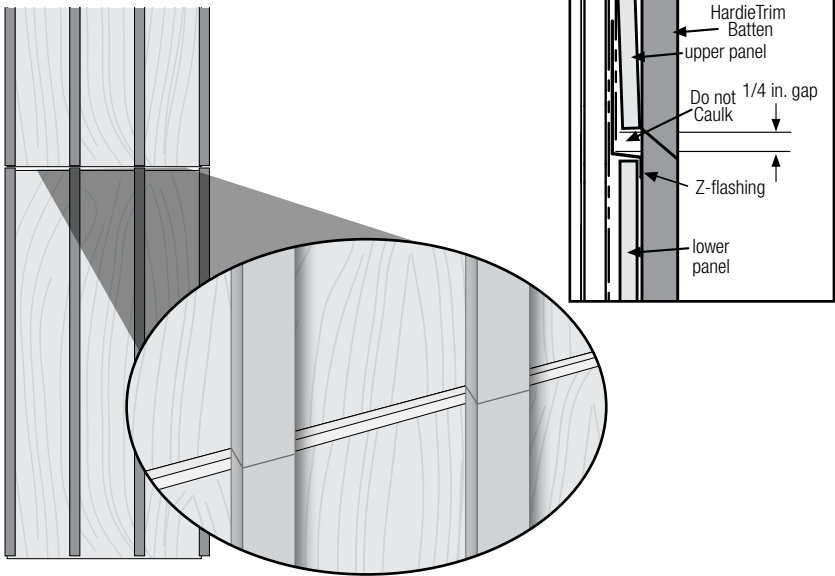
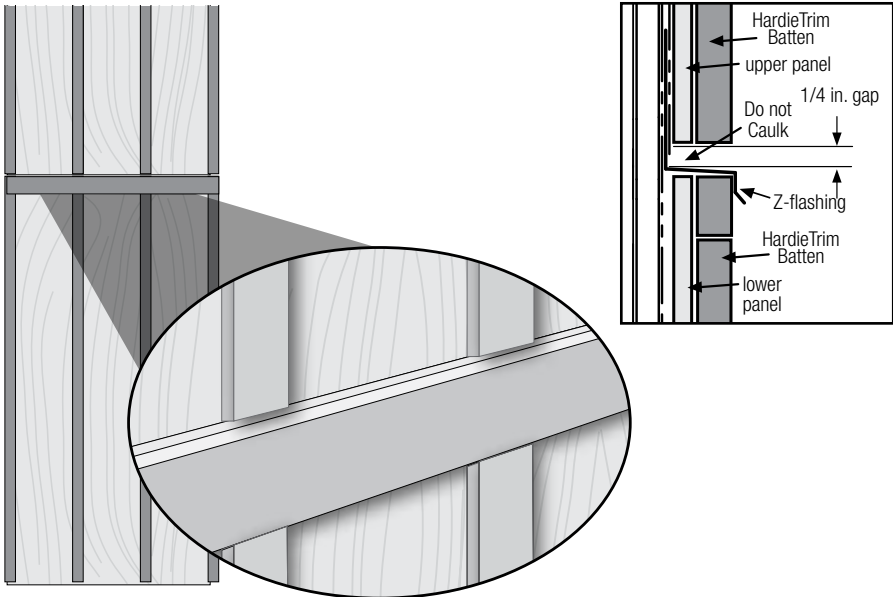


Figure 18



## FASCIA

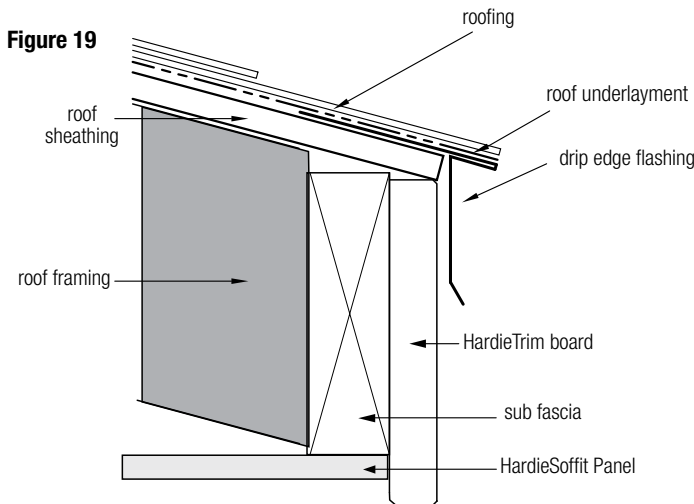
Do not use HardieTrim to replace any structural component

HardieTrim boards can be fastened directly over a 2x sub-fascia or directly to rafter tails. Check local building code for relevant codes.

### Option 1

**Over sub-fascia:** (figure 19)

When installing HardieTrim boards over solid 2x sub-fascia use minimum 2 in., 16 gauge corrosion resistant finish nails. (*see fastener guide below*)



### Gutters:

James Hardie recommends the use of rain gutters whenever possible.

#### Do not attach gutters directly to HardieTrim

Use gutter hangers that attach through the roof sheathing into a rafter tail or other structural member.

### Soffit

When installing HardieSoffit additional framing/blocking may be needed depending on application. Refer to HardieSoffit installation instructions for guidance.

### Option 2

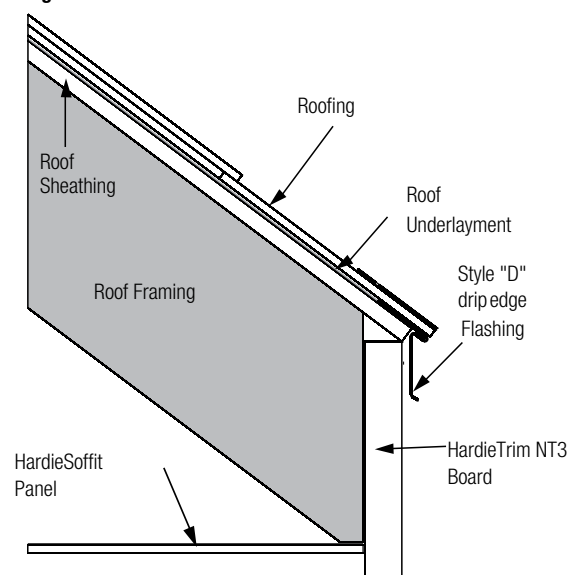
**Direct to rafter tails:** (figure 20)

When installing HardieTrim NT3 boards without the presence of a 2x sub-fascia, a minimum 8d siding corrosion resistant nails must be used to attach HardieTrim NT3 boards DO NOT use finish nails. (*refer to fastener guide below*).

## Fascia Fastener Guide

HardieTrim Board	FASTENER SPACING	
	Direct to Rafter (min 8d siding)	Over 2x Sub-fascia (Minimum 2 in. 16 ga. Finish nails)
6 in.	2 nails every rafter spaced max 24 in. O.C.	2 nails spaced maximum 16 in. O.C.
8 in.	3 nails every rafter spaced max 24 in. O.C.	3 nails spaced maximum 16 in. O.C.
10 in.		4 nails spaced maximum 16 in. O.C.

Figure 20



## HARDIETRIM® TABS

### FASTENER REQUIREMENTS

#### For Corners, Band Boards, Windows, and Door Applications:

HardieTrim NT3 boards may be installed with HardieTrim™ Flat Tabs and HardieTrim™ Corner Tabs which provide concealed fastening. Only HardieTrim Flat and Corner Tabs can be used with HardieTrim NT3 boards to create a concealed fastening.

**Step 1:** Attach HardieTrim Flat Tabs to the back side of the trim using four, 18 ga. 1/2 in. L x 1/4 in. W narrow crown corrosion resistant staples, equally spaced in one row, positioned no closer than 1/2 in. from trim edges using a pneumatic staple gun. (figures 21, 22)

**Step 2:** For wood frame construction, attach the trim to the building with minimum 2, 6d siding nails fastened through the HardieTrim Flat Tabs (figure 23). ET&F or equivalent fasteners may be used to attach the HardieTrim Flat Tabs to steel frame construction.

Fastener spacing will vary based on application. Refer to fastener table on page 9. Refer to specific sections in these instructions for required fastener spacing by application (window, band board, etc.)

#### For Fascia, Rake, and Frieze board Applications:

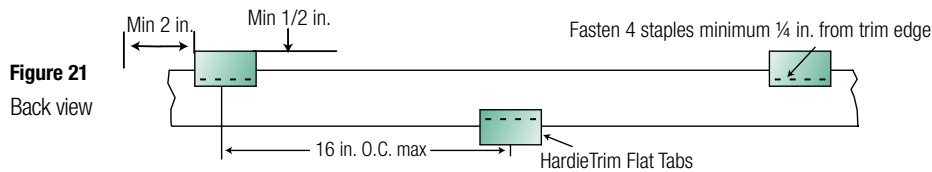
HardieTrim tabs cannot be used in fascia, rake, or frieze board applications. Follow Face nailing fastening specifications.

#### Installation of HardieTrim tabs in Coastal Regions:

James Hardie requires that stainless steel staples & fasteners be used when installing HardieTrim Tabs in coastal regions.

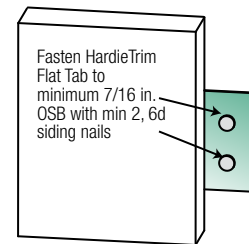
**Installation of HardieTrim Tabs over Pressure Treated Lumber: HardieTrim tabs shall not** come in direct contact with ACQ or CA preservative-treated wood. Refer to the General Fastening section of this document for further information.

**HardieTrim boards with ColorPlus Technology:** Remove the laminate sheet as soon as possible after attaching the trim to the building.



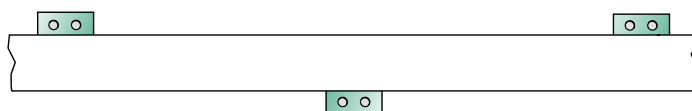
**Figure 21**  
Back view

**Figure 23**

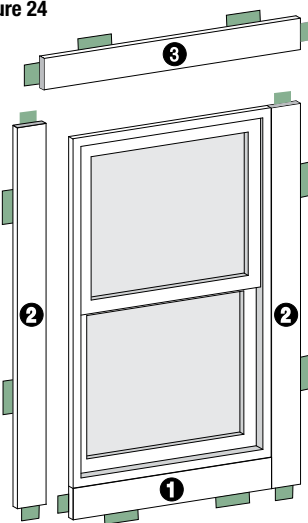


Fasten HardieTrim Flat Tab to minimum 7/16 in. OSB with min 2, 6d siding nails

**Figure 22**  
Front view

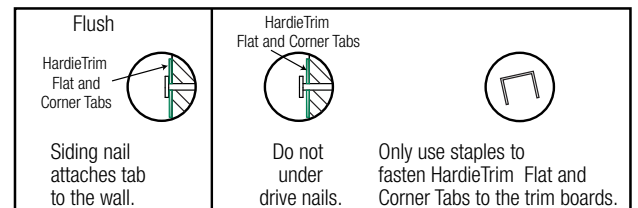


**Figure 24**



#### Trim Application for Windows, Doors & Other Openings

Trim the opening prior to the installation of the siding. Place a Flat Tab at the end of each trim board and one tab every 16 in. OC. Attach the trim boards and Flat Tabs around the opening as shown in figure 24. Use 16 ga. galvanized 2 in. long finish nails to ensure proper fastening if needed.



NOTE: Follow your window/door manufacturers installation instructions for caulking guidance between window and trim.

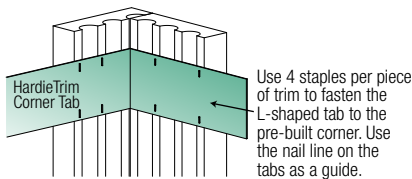


## TRIMMING CORNERS

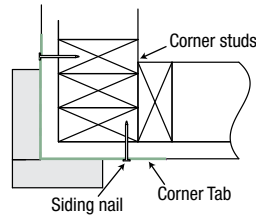
When using HardieTrim tabs prebuild outside corners off the wall.

- Attach HardieTrim Corner Tabs to the back side of the trim using eight(8) - 18 ga. 1/2 in. L x 1/4 in. W narrow crown corrosion resistant staples using a pneumatic stapler. Ensure the HardieTrim Corner Tabs are fastened tight and straight to the trim boards. (figure 25)
- For wood frame construction, attach trim to building using min. 6d siding nails fastened through the HardieTrim Corner Tabs attached to minimum 7/16 in. OSB \*. (figure 26)
- Attach a HardieTrim Corner Tab 1 in. from each ends and every 20 in. O.C.
- TIP: Creating a jig for the work station is recommended to ensure corners are fastened securely and straight. (figure 27)

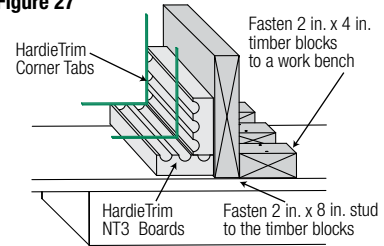
**Figure 25**



**Figure 26**



**Figure 27**



## BAND BOARD

Terminate ends of the Band Board into Trim or Siding or miter cut the edges of the trim at the corners of the building. Place a HardieTrim Flat Tab at the end of each trim board and one tab every stud at a maximum of 16 in. O.C. The HardieTrim Flat Tabs should be attached to the trim in an alternating pattern to the top and bottom of the band board (figures 21, 22). Use 16 ga. galvanized 2 in. long finish nails to ensure proper fastening if needed.

**Trim Tab Fastener Table**

Application	Framing Material Tab is nailed into	Fastener (tab to framing)	Fastener (tab to trim)	Max Tab Spacing (inches on center)
Flat Tab	Wood Stud (minimum G=0.42)	One 6d corrosion resistant siding nail installed through center of tab into framing	Four 18 ga. X 1/2 in. long X 1/4 in. wide corrosion resistant crown staples, equally spaced in one row	16
	Minimum APA rated 7/16 in. OSB	Two 4d ring shank corrosion resistant siding nails equally spaced installed through tab into framing		
	Minimum 20 gauge steel	One No. 8 X 1 in. long X 0.323 in. head diameter screw (corrosion resistant) installed through flange into framing		
Corner Tab	Wood Stud (minimum G=0.42)	On each flange, install one 6d corrosion resistant siding nail through tab into framing	For each piece of trim, install Four 18 ga. X 1/2 in. long X 1/4 in. wide corrosion resistant crown staples, equally space in two rows	20
	Minimum APA rated 7/16 in. OSB	On each flange, install two 4d ring shank corrosion resistant siding nails through tab into framing		
	Minimum 20 gauge steel	On each flange, install one No. 8 X 1 in. long X 0.323 in. head diameter screw (corrosion resistant) through tab into framing		







## FINISHING

### CUT EDGE TREATMENT

Caulk, paint or prime all field cut edges. James Hardie touch-up kits are required to touch-up ColorPlus products.

### CAULKING

For best results use an Elastomeric Joint Sealant complying with ASTM C920 Grade NS, Class 25 or higher or a Latex Joint Sealant complying with ASTM C834. Caulking/Sealant must be applied in accordance with the caulking/sealant manufacturer's written instructions.

### PAINTING

DO NOT use stain, oil/alkyd base paint, or powder coating on James Hardie Products. James Hardie products must be painted within 180 days for primed product and 90 days for unprimed. 100% acrylic topcoats are recommended. Do not paint when wet. For application rates refer to paint manufacturers specifications. Back-rolling is recommended if the siding is sprayed.

### COLORPLUS TECHNOLOGY CAULKING, TOUCH-UP & LAMINATE

- Care should be taken when handling and cutting James Hardie® ColorPlus® products. During installation use a wet soft cloth or soft brush to gently wipe off any residue or construction dust left on the product, then rinse with a garden hose.
- Touch up nicks, scrapes and nail heads using the ColorPlus® Technology touch-up applicator. Touch-up should be used sparingly. If large areas require touch-up, replace the damaged area with new HardiePlank® lap siding with ColorPlus® Technology.
- Laminate sheet must be removed immediately after installation of each course.
- Terminate non-factory cut edges into trim where possible, and caulk. Color matched caulks are available from your ColorPlus® product dealer.
- Treat all other non-factory cut edges using the ColorPlus Technology edge coat, available from your ColorPlus product dealer.

**Note:** James Hardie does not warrant the usage of third party touch-up or paints used as touch-up on James Hardie ColorPlus products.

Problems with appearance or performance arising from use of third party touch-up paints or paints used as touch-up that are not James Hardie touch-up will not be covered under the James Hardie ColorPlus Limited Finish Warranty.

### PAINTING JAMES HARDIE SIDING AND TRIM PRODUCTS WITH COLORPLUS TECHNOLOGY

When repainting ColorPlus products, James Hardie recommends the following regarding surface preparation and topcoat application:

- Ensure the surface is clean, dry, and free of any dust, dirt, or mildew
- Repriming is normally not necessary
- 100% acrylic topcoats are recommended
- DO NOT use stain, oil/alkyd base paint, or powder coating on James Hardie® Products.
- Apply finish coat in accordance with paint manufacturers written instructions regarding coverage, application methods, and application temperature
- DO NOT caulk nail heads when using ColorPlus products, refer to the ColorPlus touch-up section

TR1510\_P9/9 09/19

#### SILICA WARNING

**DANGER:** May cause cancer if dust from product is inhaled. Causes damage to lungs and respiratory system through prolonged or repeated inhalation of dust from product. Refer to the current product Safety Data Sheet before use. The hazard associated with fiber cement arises from crystalline silica present in the dust generated by activities such as cutting, machining, drilling, routing, sawing, crushing, or otherwise abrading fiber cement, and when cleaning up, disposing of or moving the dust. When doing any of these activities in a manner that generates dust you must (1) comply with the OSHA standard for silica dust and/or other applicable law, (2) follow James Hardie cutting instructions to reduce or limit the release of dust; (3) warn others in the area to avoid breathing the dust; (4) when using mechanical saw or high speed cutting tools, work outdoors and use dust collection equipment; and (5) if no other dust controls are available, wear a dust mask or respirator that meets NIOSH requirements (e.g. N-95 dust mask). During clean-up, use a well maintained vacuum and filter appropriate for capturing fine (respirable) dust or use wet clean-up methods - never dry sweep.

**WARNING:** This product can expose you to chemicals including respirable crystalline silica, which is known to the State of California to cause cancer. For more information go to [P65Warnings.ca.gov](http://P65Warnings.ca.gov).

**RECOGNITION:** HardieTrim boards may be installed as an equal alternative to conventional trim permitted for use in; 2006, 2009, 2012 & 2015 International Building Code, Section 1403, and the 2006, 2009, 2012 & 2015 International Residential Code for One and Two-Family Dwellings, Section R703.

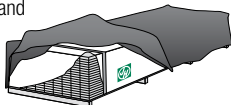


These instructions are to be used for HardieTrim® HZ™ Boards ONLY and are **ONLY VALID** in the following states: WA, OR, CA, NV, UT, ID, CO, WY, MT, AZ, NM.

**IMPORTANT: FAILURE TO FOLLOW JAMES HARDIE WRITTEN INSTALLATION INSTRUCTIONS AND COMPLY WITH APPLICABLE BUILDING CODES MAY VIOLATE LOCAL LAWS, AFFECT BUILDING ENVELOPE PERFORMANCE AND MAY AFFECT WARRANTY COVERAGE. FAILURE TO COMPLY WITH ALL HEALTH AND SAFETY REGULATIONS WHEN CUTTING AND INSTALLING THIS PRODUCT MAY RESULT IN PERSONAL INJURY. BEFORE INSTALLATION, CONFIRM YOU ARE USING THE CORRECT HARDIEZONE® PRODUCT INSTRUCTIONS BY VISITING HARDIEZONE.COM OR CALL 1-866-942-7343 (866-9-HARDIE)**

**STORAGE & HANDLING:**

Store flat and keep dry and covered prior to installation. Installing siding wet or saturated may result in shrinkage at butt joints. Carry planks on edge. Protect edges and corners from breakage. James Hardie is not responsible for damage caused by improper storage and handling of the product.



**CUTTING INSTRUCTIONS**

**OUTDOORS**

1. Position cutting station so that airflow blows dust away from the user and others near the cutting area.
2. Cut using one of the following methods:
  - a. Best: Circular saw equipped with a HardieBlade® saw blade and attached vacuum dust collection system. Shears (manual, pneumatic or electric) may also be used, not recommended for products thicker than 7/16 in.
  - b. Better: Circular saw equipped with a dust collection feature (e.g. Roan® saw) and a HardieBlade saw blade.
  - c. Good: Circular saw equipped with a HardieBlade saw blade.

**INDOORS**

- DO NOT grind or cut with a power saw indoors. Cut using shears (manual, pneumatic or electric) or the score and snap method, not recommended for products thicker than 7/16 in.
- DO NOT dry sweep dust; use wet dust suppression or vacuum to collect dust.
  - For maximum dust reduction, James Hardie recommends using the "Best" cutting practices. Always follow the equipment manufacturer's instructions for proper operation.
  - For best performance when cutting with a circular saw, James Hardie recommends using HardieBlade® saw blades.
  - Go to jameshardiepros.com for additional cutting and dust control recommendations.

**IMPORTANT:** The Occupational Safety and Health Administration (OSHA) regulates workplace exposure to silica dust. For construction sites, OSHA has deemed that cutting fiber cement with a circular saw having a blade diameter less than 8 inches and connected to a commercially available dust collection system per manufacturer's instructions results in exposures below the OSHA Permissible Exposure Limit (PEL) for respirable crystalline silica, without the need for additional respiratory protection.

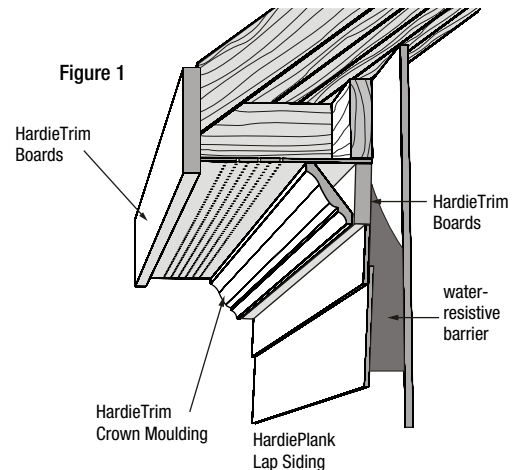
If you are unsure about how to comply with OSHA silica dust regulations, consult a qualified industrial hygienist or safety professional, or contact your James Hardie technical sales representative for assistance. James Hardie makes no representation or warranty that adopting a particular cutting practice will assure your compliance with OSHA rules or other applicable laws and safety requirements.

**HardieTrim® boards are decorative non-load bearing trim products.**

**Do not use HardieTrim boards to replace any structural component.**

**TABLE OF CONTENTS**

<b>GENERAL REQUIREMENTS</b> .....	<b>Page 1</b>
<b>FLASHING/CLEARANCE REQUIREMENTS</b> .....	<b>Page 2</b>
<b>FASTENING</b> .....	<b>Page 3</b>
Face Nailing Requirements .....	Page 3
<b>INSTALLATION</b> .....	<b>Page 4-8</b>
Trimming Corners .....	Page 4
Openings .....	Page 4
Band Boards .....	Page 4
Frieze .....	Page 4
Batten Boards .....	Page 5
Fascia .....	Page 6
HardieTrim™ Tabs .....	Page 7-8
<b>FINISHING</b> .....	<b>Page 9</b>



**GENERAL REQUIREMENTS**

- Wood or steel must be provided for attaching HardieTrim boards.
- Follow all applicable codes when installing HardieTrim boards.
- DO NOT install HardieTrim boards, such that they may remain in contact with standing water.
- DO NOT use stain, oil/alkyd base paint, or powder coating on James Hardie Products.





## FLASHING/CLEARANCE REQUIREMENTS NO-COVER

HardieTrim may be installed with a minimum 1/4 in. clearance when installed vertically to grade, decks, paths, steps, and driveways

Maintain a minimum 1 in. horizontal clearance between James Hardie trim products and decks, paths, steps and driveways.

At the juncture of the roof and vertical surfaces, flashing and counter flashing shall be installed per the roofing manufacturer's instructions. Provide a 1 in. clearance between the roofing and the bottom edge of the trim.

Figure 2

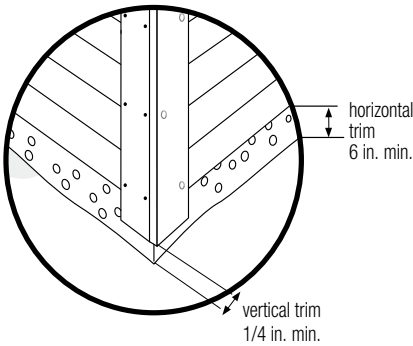


Figure 3

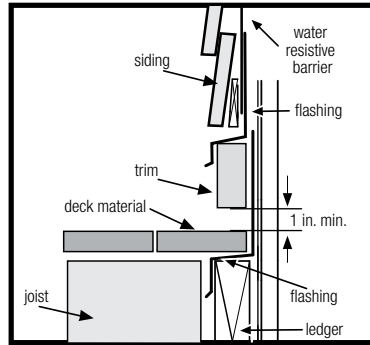
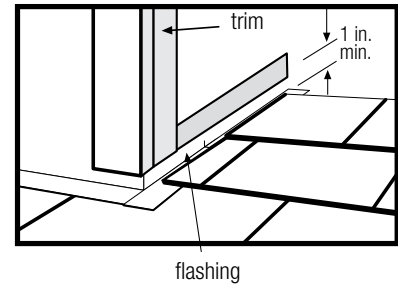
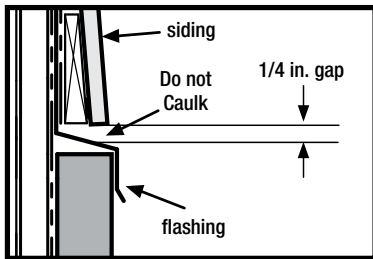


Figure 4



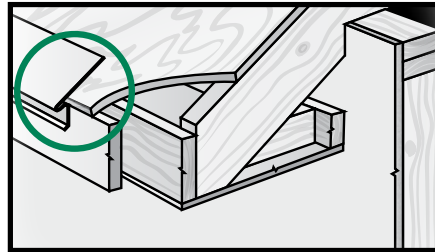
Maintain a 1/4 in. clearance between the bottom of James Hardie products and horizontal flashing. Do not caulk gap.

Figure 5



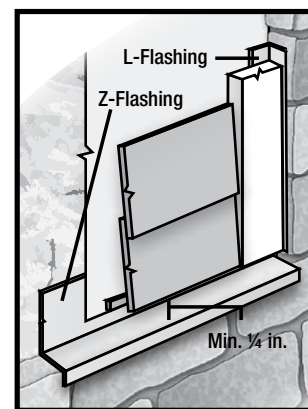
### Drip Edge

Figure 6 for fascia installation see page 6



### Mortar/Masonry

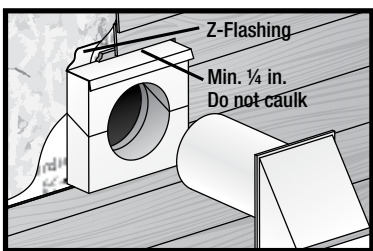
Figure 7



### Block Penetration

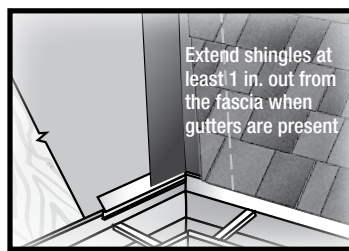
(recommended in HZ10)

Figure 8



### Valley/Shingle Extension

Figure 9

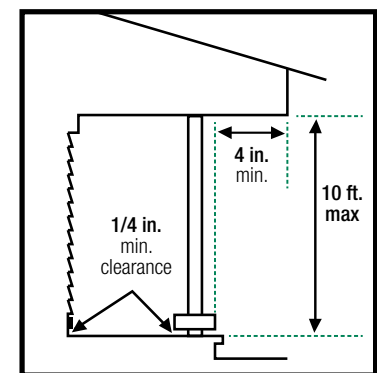


## CLEARANCE REQUIREMENTS UNDER-COVER

Maintain a 1/4 in. clearance for HardieTrim boards installed under cover. Under cover is defined as:

- Not more than 10 feet below a roof overhang, and
- Not less than 4 inches horizontally from the edge of the roof overhang

Figure 10





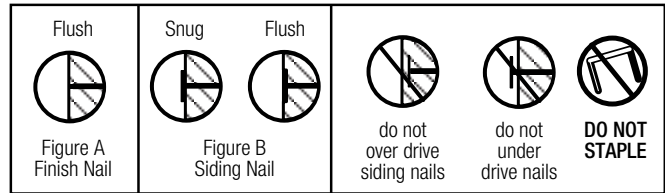
### GENERAL FASTENING REQUIREMENTS

Fasteners must be corrosion resistant, galvanized, or stainless steel. Electro-galvanized are acceptable but may exhibit premature corrosion. James Hardie recommends the use of quality, hot-dipped galvanized nails. James Hardie is not responsible for the corrosion resistance of fasteners. Stainless steel fasteners are recommended when installing James Hardie products near the ocean, large bodies of water, or in very humid climates.

Manufacturers of ACQ and CA preservative-treated wood recommend spacer materials or other physical barriers to prevent direct contact of ACQ or CA preservative-treated wood and aluminum products. Fasteners used to attach HardieTrim Tabs to preservative-treated wood shall be of hot dipped zinc-coated galvanized steel or stainless steel and in accordance to 2009 IRC R317.3 or 2009 IBC 2304.9.5.”

### PNEUMATIC FASTENING

James Hardie products can be hand nailed or fastened with a pneumatic tool. Pneumatic fastening is highly recommended. Set air pressure so that the fastener is driven snug with the surface of the trim. A flush mount attachment on the pneumatic tool is recommended. This will help control the depth the nail is driven. If setting the nail depth proves difficult, choose a setting that under drives the nail. (Drive under driven nails snug with a smooth faced hammer - Does not apply for installation to steel framing).



### FACE NAILING REQUIREMENTS

Use 2 in. minimum 16 ga. finish nails to attach HardieTrim boards to wood frame construction. ET&F or equivalent fasteners or screws may be used to attach HardieTrim boards to steel frame construction.

Fastening instructions are similar for all applications. When using finish nails, position nails no closer than 1/2 in. from the edges of the trim and for all other fasteners no closer than 3/4 in. Fasteners must be no closer than 1 in. from ends of trim and spaced a maximum of 16 in. O.C. Ensure trim is adequately fastened.

James Hardie recommends using stainless steel finish nails when installing HardieTrim products.

#### Minimum fastener guide for finish nailing:

	Pre-built corner	Site Built Corners	Other areas (e.g. window trim, and band boards)
4 in.	1 nail every 16 in. to attach boards together + 1 nail every 16 in. each board	2 nails every 16 in.	2 nails every 16 in.
6 in.	1 nail every 16 in. to attach boards together + 2 nails every 16 in. each board		
8 in.	-	3 nails every 16 in.	3 nails every 16 in.
12 in.	-	4 nails every 16 in.	3 nails every 16 in.

Use a 2 in. finish nail to fasten trim together. Longer finish nails may bend.

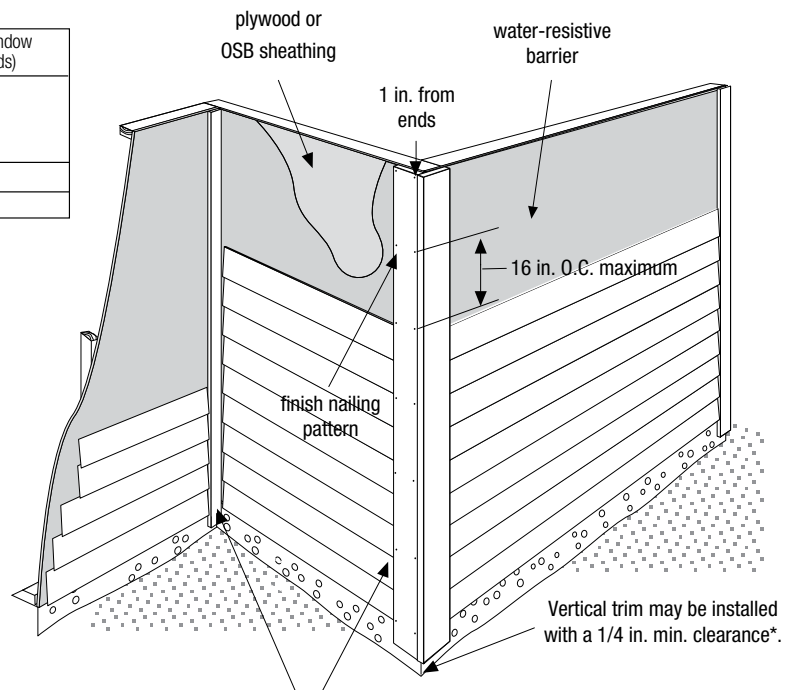


Figure 11

\*Follow all applicable codes when installing HardieTrim boards





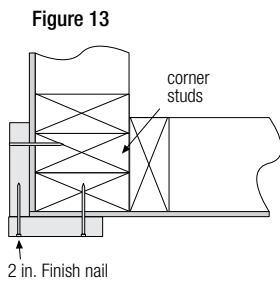
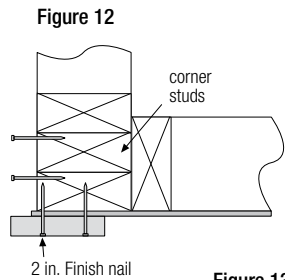
## INSTALLATION

### TRIMMING CORNERS

When installing corners or other vertical trim, position boards on the wall and attach (figure 12).

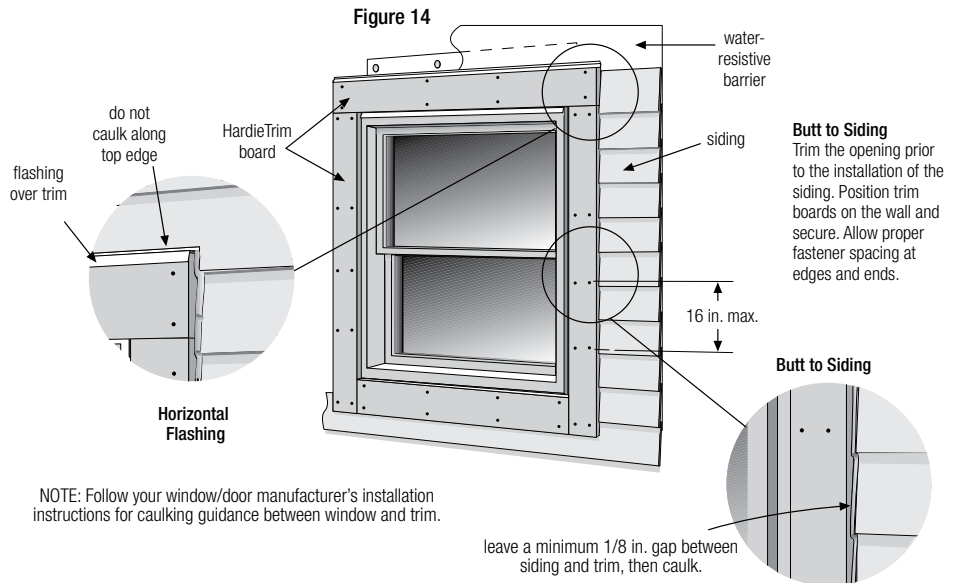
#### Pre-Built Corners

Alternatively, corners can be pre-built off the wall using 2 in. finishing nails. Each side of the pre-built corner must be secured to the wall (figure 13).



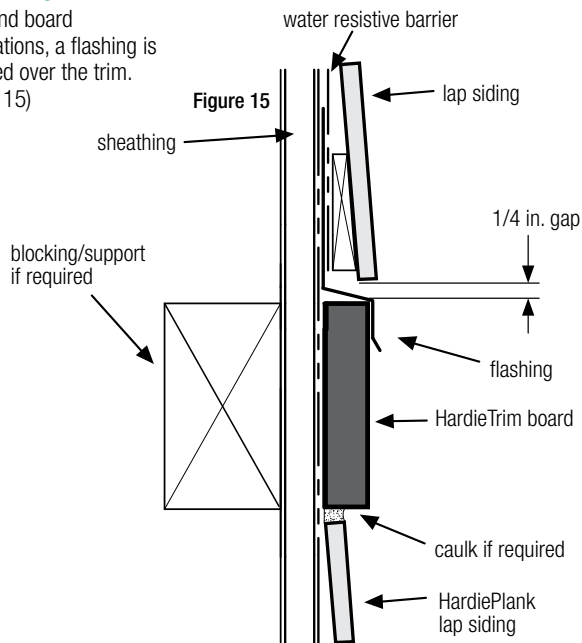
### TRIM APPLICATION FOR WINDOWS, DOORS & OTHER OPENINGS

Flashing over trim is required per code for all installation methods. (figure 14)



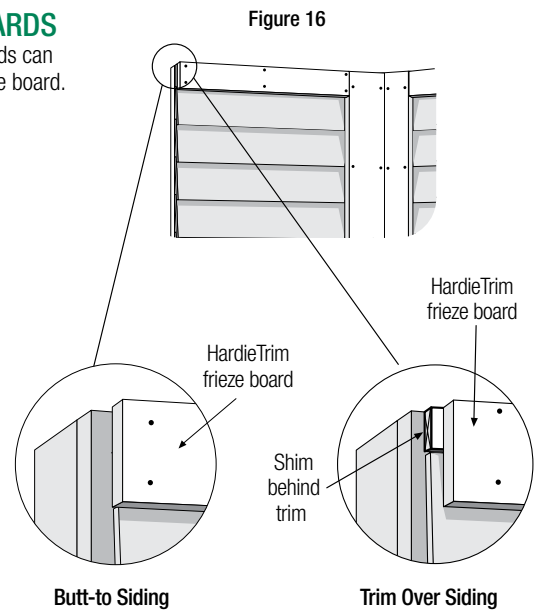
### BAND BOARD

For band board applications, a flashing is required over the trim. (figure 15)



### FRIEZE BOARDS

HardieTrim boards can be used as frieze board. (figure 16)







## BATTEN BOARDS

### HORIZONTAL PANEL JOINTS

At horizontal panel joints HardieTrim battens must be installed according to option 1 or 2 below. When installing HardieTrim Battens horizontally, they must be installed as a panel joint according to option 2.

#### Option 1

Figure 17 - No horizontal band board - Make a 22.5 - 45 degree weather cut, in the HardieTrim batten, just above the 1/4 in. clearance between panels.

#### Option 2

Figure 18 - Horizontal Band Board - Install a horizontal band board at the top of the bottom panel. Butt the lower batten to the band board and start the top batten at the bottom edge of the top panel. Maintain a 1/4 in. clearance above horizontal flashing.

Figure 17

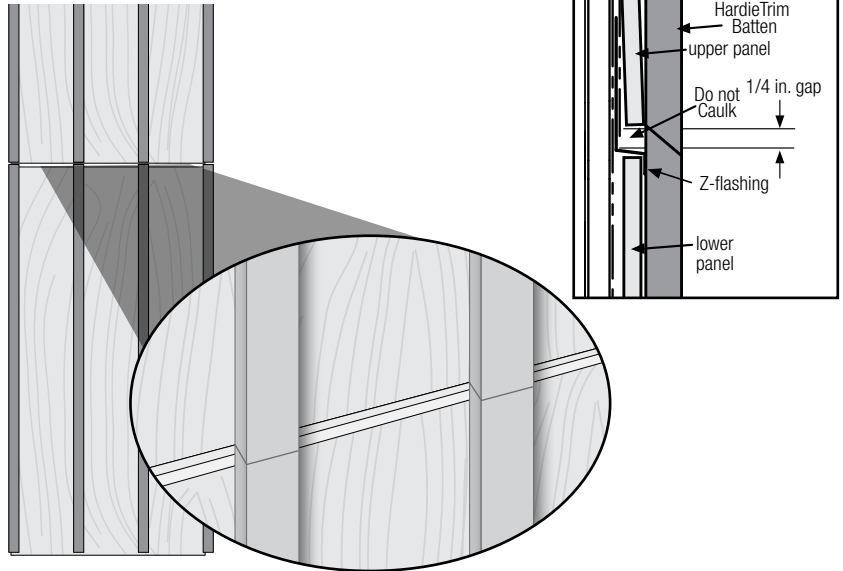
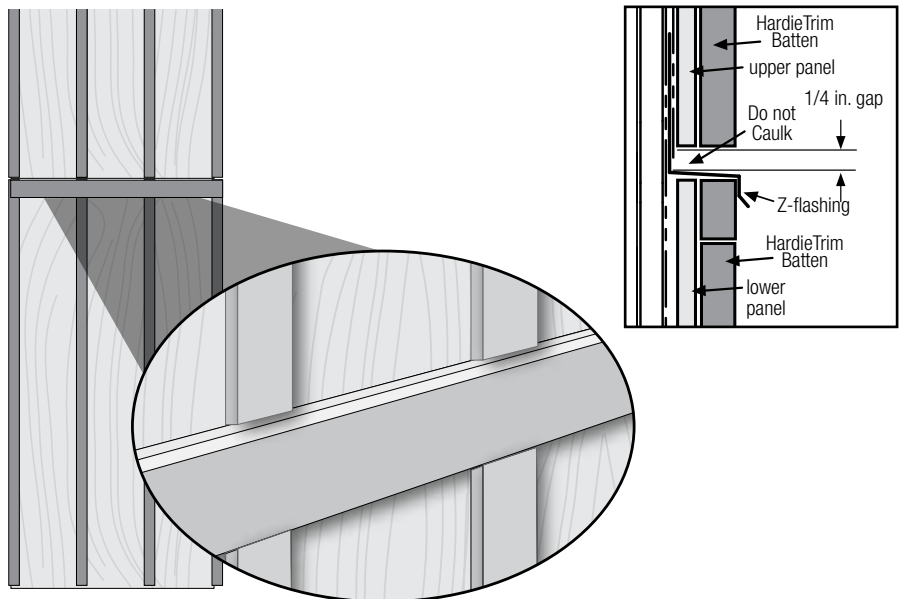


Figure 18





## FASCIA

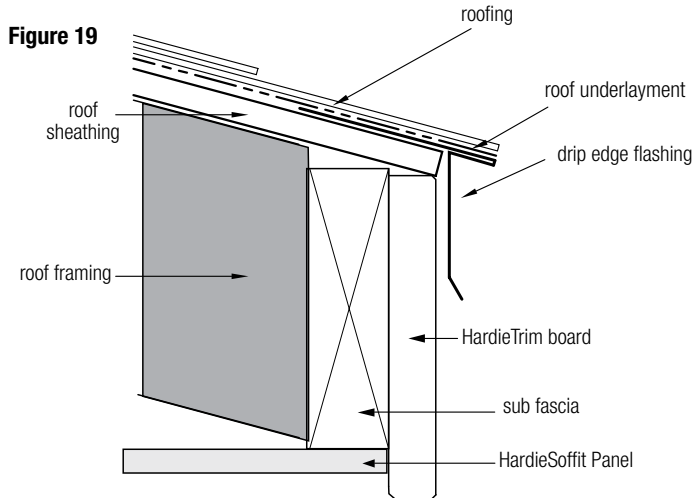
HardieTrim board is a decorative non-load bearing trim product. Do not use HardieTrim to replace any structural component.

HardieTrim boards can be fastened directly over a 2x sub-fascia or directly to rafter tails. Check local building code for relevant codes.

### Option 1

**Over sub-fascia:** (figure 19)

When installing HardieTrim boards over solid 2x sub-fascia use minimum 2 in., 16 gauge corrosion resistant finish nails. (see fastener guide below)



### Gutters:

James Hardie recommends the use of rain gutters whenever possible.

#### Do not attach gutters directly to HardieTrim

Use gutter hangers that attach through the roof sheathing into a rafter tail or other structural member.

### Soffit

When installing HardieSoffit additional framing/blocking may be needed depending on application. Refer to HardieSoffit installation instructions for guidance.

### Option 2

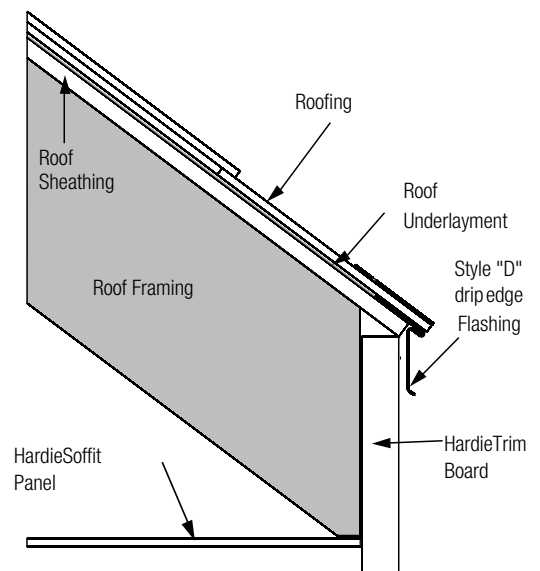
**Direct to rafter tails:** (figure 20)

When installing HardieTrim boards without the presence of a 2x sub-fascia, a minimum 8d siding corrosion resistant nails must be used to attach HardieTrim boards DO NOT use finish nails. (refer to fastener guide below).

## Fascia Fastener Guide

HardieTrim Board	FASTENER SPACING	
	Direct to Rafter (min 8d siding)	Over 2x Sub-fascia (Minimum 2 in. 16 ga. Finish nails)
6 in.	2 nails every rafter spaced max 24 in. O.C.	2 nails spaced maximum 16 in. O.C.
8 in.	3 nails every rafter spaced max 24 in. O.C.	3 nails spaced maximum 16 in. O.C.
10 in.		4 nails spaced maximum 16 in. O.C.

Figure 20





# HARDIETRIM® TABS

## FASTENER REQUIREMENTS

### For Corners, Band Boards, Windows, and Door Applications:

HardieTrim boards may be installed with HardieTrim™ Flat Tabs and HardieTrim™ Corner Tabs which provide concealed fastening. Only HardieTrim Flat and Corner Tabs can be used with HardieTrim boards to create a concealed fastening.

**Step 1:** Attach HardieTrim Flat Tabs to the back side of the trim using four, 18 ga. 1/2 in. L x 1/4 in. W narrow crown corrosion resistant staples, equally spaced in one row, positioned no closer than 1/2 in. from trim edges using a pneumatic staple gun. (figures 21, 22)

**Step 2:** For wood frame construction, attach the trim to the building with minimum 2, 6d siding nails fastened through the HardieTrim Flat Tabs (figure 23). ET&F or equivalent fasteners may be used to attach the HardieTrim Flat Tabs to steel frame construction.

Fastener spacing will vary based on application. Refer to fastener table on page 9. Refer to specific sections in these instructions for required fastener spacing by application (window, band board, etc.)

### For Fascia, Rake, and Frieze board Applications:

HardieTrim tabs cannot be used in fascia, rake, or frieze board applications. Follow Face nailing fastening specifications.

### Installation of HardieTrim tabs in Coastal Regions:

James Hardie requires that stainless steel staples & fasteners be used when installing HardieTrim Tabs in coastal regions.

**Installation of HardieTrim Tabs over Pressure Treated Lumber:** HardieTrim tabs **shall not** come in direct contact with ACQ or CA preservative-treated wood. Refer to the General Fastening section of this document for further information.

**HardieTrim boards with ColorPlus Technology:** Remove the laminate sheet as soon as possible after attaching the trim to the building.

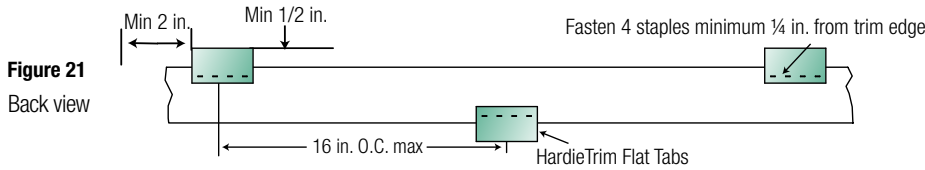


Figure 21  
Back view

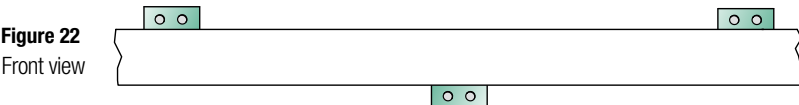


Figure 22  
Front view

Figure 23

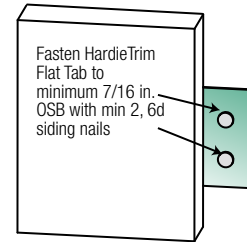
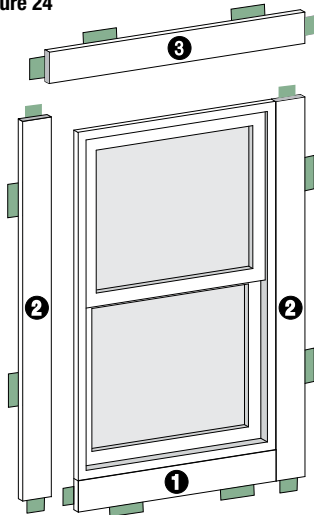
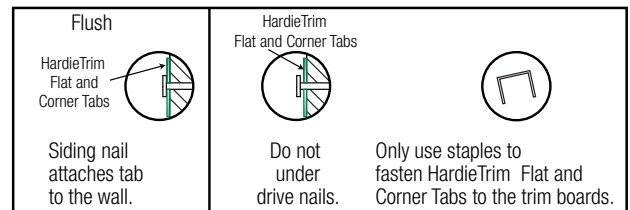


Figure 24



### Trim Application for Windows, Doors & Other Openings

Trim the opening prior to the installation of the siding. Place a Flat Tab at the end of each trim board and one tab every 16 in. OC. Attach the trim boards and Flat Tabs around the opening as shown in figure 24. Use 16 ga. galvanized 2 in. long finish nails to ensure proper fastening if needed.



NOTE: Follow your window/door manufacturers installation instructions for caulking guidance between window and trim.





## TRIMMING CORNERS

When using HardieTrim tabs prebuild outside corners off the wall.

- Attach HardieTrim Corner Tabs to the back side of the trim using eight(8) - 18 ga. 1/2 in. L x 1/4 in. W narrow crown corrosion resistant staples using a pneumatic stapler. Ensure the HardieTrim Corner Tabs are fastened tight and straight to the trim boards. (figure 25)
- For wood frame construction, attach trim to building using min. 6d siding nails fastened through the HardieTrim Corner Tabs attached to minimum 7/16 in. OSB \*. (figure 26)
- Attach a HardieTrim Corner Tab 1 in. from each ends and every 20 in. O.C.
- TIP: Creating a jig for the work station is recommended to ensure corners are fastened securely and straight. (figure 27)

Figure 25

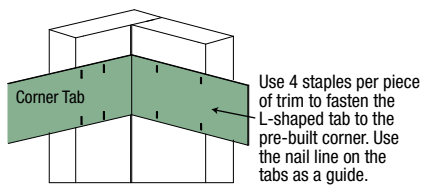


Figure 26

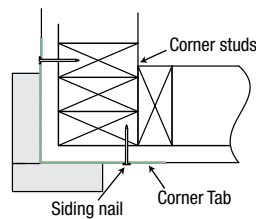
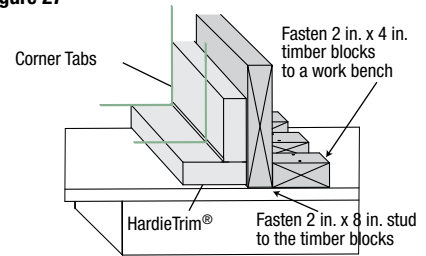


Figure 27



## BAND BOARD

Terminate ends of the Band Board into Trim or Siding or miter cut the edges of the trim at the corners of the building. Place a HardieTrim Flat Tab at the end of each trim board and one tab every stud at a maximum of 16 in. O.C. The HardieTrim Flat Tabs should be attached to the trim in an alternating pattern to the top and bottom of the band board (figures 21, 22). Use 16 ga. galvanized 2 in. long finish nails to ensure proper fastening if needed.

Trim Tab Fastener Table

Application	Framing Material Tab is nailed into	Fastener (tab to framing)	Fastener (tab to trim)	Max Tab Spacing (inches on center)
Flat Tab	Wood Stud (minimum G=0.42)	One 6d corrosion resistant siding nail installed through center of tab into framing	Four 18 ga. X 1/2 in. long X 1/4 in. wide corrosion resistant crown staples, equally spaced in one row	16
	Minimum APA rated 7/16 in. OSB	Two 4d ring shank corrosion resistant siding nails equally spaced installed through tab into framing		
	Minimum 20 gauge steel	One No. 8 X 1 in. long X 0.323 in. head diameter screw (corrosion resistant) installed through flange into framing		
Corner Tab	Wood Stud (minimum G=0.42)	On each flange, Install one 6d corrosion resistant siding nail through tab into framing	For each piece of trim, install Four 18 ga. X 1/2 in. long X 1/4 in. wide corrosion resistant crown staples, equally space in two rows	20
	Minimum APA rated 7/16 in. OSB	On each flange, Install two 4d ring shank corrosion resistant siding nails through tab into framing		
	Minimum 20 gauge steel	On each flange, Install one No. 8 X 1 in. long X 0.323 in. head diameter screw (corrosion resistant) through tab into framing		





## FINISHING

### CUT EDGE TREATMENT

Caulk, paint or prime all field cut edges. James Hardie touch-up kits are required to touch-up ColorPlus products.

### CAULKING

For best results use an Elastomeric Joint Sealant complying with ASTM C920 Grade NS, Class 25 or higher or a Latex Joint Sealant complying with ASTM C834. Caulking/Sealant must be applied in accordance with the caulking/sealant manufacturer's written instructions.

### PAINTING

DO NOT use stain, oil/alkyd base paint, or powder coating on James Hardie Products. James Hardie products must be painted within 180 days for primed product and 90 days for unprimed. 100% acrylic topcoats are recommended. Do not paint when wet. For application rates refer to paint manufacturers specifications. Back-rolling is recommended if the siding is sprayed.

### COLORPLUS TECHNOLOGY CAULKING, TOUCH-UP & LAMINATE

- Care should be taken when handling and cutting James Hardie® ColorPlus® products. During installation use a wet soft cloth or soft brush to gently wipe off any residue or construction dust left on the product, then rinse with a garden hose.
- Touch up nicks, scrapes and nail heads using the ColorPlus® Technology touch-up applicator. Touch-up should be used sparingly. If large areas require touch-up, replace the damaged area with new HardiePlank® lap siding with ColorPlus® Technology.
- Laminate sheet must be removed immediately after installation of each course.
- Terminate non-factory cut edges into trim where possible, and caulk. Color matched caulks are available from your ColorPlus® product dealer.
- Treat all other non-factory cut edges using the ColorPlus Technology edge coat, available from your ColorPlus product dealer.

**Note:** James Hardie does not warrant the usage of third party touch-up or paints used as touch-up on James Hardie ColorPlus products.

Problems with appearance or performance arising from use of third party touch-up paints or paints used as touch-up that are not James Hardie touch-up will not be covered under the James Hardie ColorPlus Limited Finish Warranty.

### PAINTING JAMES HARDIE SIDING AND TRIM PRODUCTS WITH COLORPLUS TECHNOLOGY

When repainting ColorPlus products, James Hardie recommends the following regarding surface preparation and topcoat application:

- Ensure the surface is clean, dry, and free of any dust, dirt, or mildew
- Repriming is normally not necessary
- 100% acrylic topcoats are recommended
- DO NOT use stain, oil/alkyd base paint, or powder coating on James Hardie® Products.
- Apply finish coat in accordance with paint manufacturers written instructions regarding coverage, application methods, and application temperature
- DO NOT caulk nail heads when using ColorPlus products, refer to the ColorPlus touch-up section

TR1509\_P9/9 09/19

#### SILICA WARNING

**DANGER:** May cause cancer if dust from product is inhaled. Causes damage to lungs and respiratory system through prolonged or repeated inhalation of dust from product. Refer to the current product Safety Data Sheet before use. The hazard associated with fiber cement arises from crystalline silica present in the dust generated by activities such as cutting, machining, drilling, routing, sawing, crushing, or otherwise abrading fiber cement, and when cleaning up, disposing of or moving the dust. When doing any of these activities in a manner that generates dust you must (1) comply with the OSHA standard for silica dust and/or other applicable law, (2) follow James Hardie cutting instructions to reduce or limit the release of dust; (3) warn others in the area to avoid breathing the dust; (4) when using mechanical saw or high speed cutting tools, work outdoors and use dust collection equipment; and (5) if no other dust controls are available, wear a dust mask or respirator that meets NIOSH requirements (e.g. N-95 dust mask). During clean-up, use a well maintained vacuum and filter appropriate for capturing fine (respirable) dust or use wet clean-up methods - never dry sweep.

**WARNING:** This product can expose you to chemicals including respirable crystalline silica, which is known to the State of California to cause cancer. For more information go to [P65Warnings.ca.gov](http://P65Warnings.ca.gov).

**RECOGNITION:** In accordance with ICC-ES Evaluation Report ESR-2290, HardiePlank® lap siding is recognized as a suitable alternate to that specified in: the 2006,2009,&2012 International Residential Code for One- and Two-Family Dwellings, and the 2006, 2009, & 2012 International Building Code., HardiePlank lap siding is also recognized for application in the following: City of Los Angeles Research Report No. 24862, State of Florida listing FL#889, Dade County, Florida NOA No. 02-0729.02, U.S. Dept. of HUD Materials Release 1263c, Texas Department of Insurance Product Evaluation EC-23, City of New York MEA 223-93-M, and California DSA PA-019. These documents should also be consulted for additional information concerning the suitability of this product for specific applications.