

# SUBMITTAL: 1400 LIFESTART™ SERIES AED CABINET

Protect valuable Automated External Defibrillators (AED's) with durable Lifestart cabinets. Each cabinet is equipped with a 85 dB door alarm to deter tampering. This series in steel, stainless steel or aluminum fits most AED's on the market.

**Frame, Trim and Door:** #4 brushed stainless steel, clear anodized aluminum or steel with white powder-coat finish. 5/8" door stop and continuous hinge.  
**Trim Style & Depth:** *Recessed* – 3/8" flat trim, *Semi-Recessed* – 1-1/2" square edge, 3" or 4" rolled edge (4" has recessed pull), *Surface-Mount* with square or rolled edge.  
**Door:** Formed door with zinc-plated handle and roller catch for F and S21 models. Theft-deterrent SAF-T-LOK™ available on G and L22 models.  
**Tub:** White powder-coated steel except for aluminum and stainless surface-mounted models. Fire-rated available - See Separate Submittal  
**Alarm:** 85 dB Commander (audible) alarm standard with keyed on/off switch on the door.



1413F12SA Surface-Mounted Steel Cabinet With Silkscreen AED Graphic & Optional Siren Strobe Alarm

**STEP 1: SELECT MODEL NUMBER AND QUANTITY ON CHART** (refer to chart on page 2)

A. Determine Trim Style according to wall depth.      B. Determine Tub I.D. according to size most suited for contents and wall opening.

**STEP 2: SELECT DOOR STYLE** Check one box below

- |   |   |
|---|---|
| <input type="checkbox"/> <b>F</b> Full Glazing                | <input type="checkbox"/> <b>W</b> Vertical Duo with SAF-T-LOK |
| <input type="checkbox"/> <b>G</b> Full Glazing with SAF-T-LOK | <input type="checkbox"/> <b>S21</b> Solid Door                |
| <input type="checkbox"/> <b>V</b> Vertical Duo                | <input type="checkbox"/> <b>L22</b> Solid Door with SAF-T-LOK |

**STEP 3: SELECT GLAZING** Check one box below

- |  |   |
|--|---|
| <input type="checkbox"/> <b>12</b> Acrylic | <input type="checkbox"/> <b>17</b> Tempered |
|--|---|
- Note:** Only F12 and G12 combinations have large pre-printed AED heart silk screen graphics - All others include AED diecut lettering as shown below

**STEP 4: SELECT OPTIONAL FEATURES AT ADDITIONAL COST**


- |  |  |
|--|--|
| <input type="checkbox"/> <b>(SA)</b> Siren Strobe 110 dB Alarm (3 & 4" Trim & Surface-Mount Models Only) | <input type="checkbox"/> Optional Color: _____ See page 2 for colors.  |
| <input type="checkbox"/> <b>(STC)</b> Saf-T-Clasp for Visual Notification When Door has been opened      | <input type="checkbox"/> Wall Signs: __ Flat __ Tent __ Rt Angle __ Bi-Lingual __ Directional (See separate submittal for more details on these plastic signs) |
| <input type="checkbox"/> <b>(14MAG)</b> Magnetic Door Contact for Existing Alarm Systems                 | <input type="checkbox"/> Etched, Silkscreen or Engraved Lettering - Check here and attach separate submittal   |
| <input type="checkbox"/> <b>(14RR)</b> Roller Reed Ball Contact for Existing Alarm Systems               | Custom Door Graphics - company logos, photos -Contact Cust. Service  |
| <input type="checkbox"/> Optional Dark Bronze Anodized Aluminum Finish (Pulls painted to match)          | Bronze or Brass Finish - See separate submittal on website.  |
| <input type="checkbox"/> Optional Stainless Steel Finishes __ #6 __ #7 View Finishes on website          | Automated External Defibrillator sold separately - see website   |
| <input type="checkbox"/> Optional Tub Color: __ Black __ Red __ Other                                    | <b>See website for more information on the above options.</b>  |
| <input type="checkbox"/> Optional Tub Material __ Stainless __ Aluminum (to match trim material)         |  |
| <input type="checkbox"/> <b>(PRH)</b> Flush Pull Handle (Includes AED die cut and decal shown below)     |  |
| <input type="checkbox"/> <b>(PUCH)</b> Polished Chrome Handle  |  |

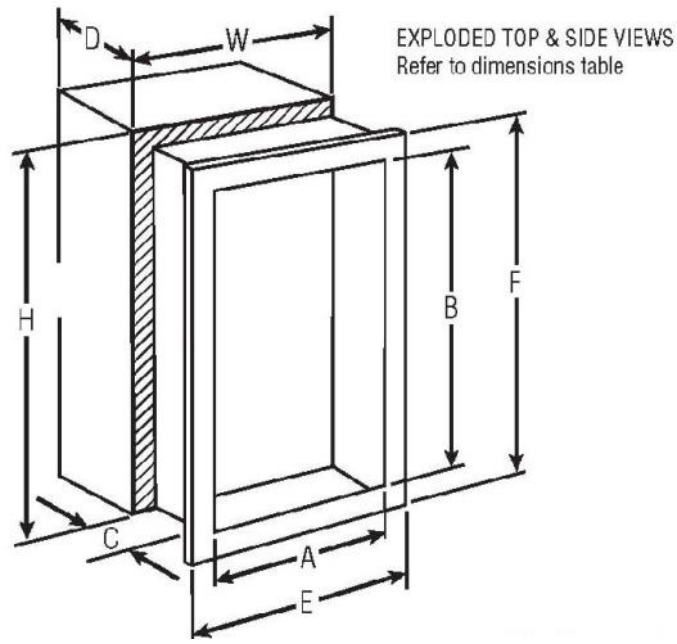


1436F12 Semi-Recessed Cabinet in Stainless Steel with 1-1/2" Square Trim & Silkscreen AED Graphic

AED die cut (1-1/4" x 5-3/8) and Warning decal (3/4" x 3-1/2") included with all cabinets except F12 and G12



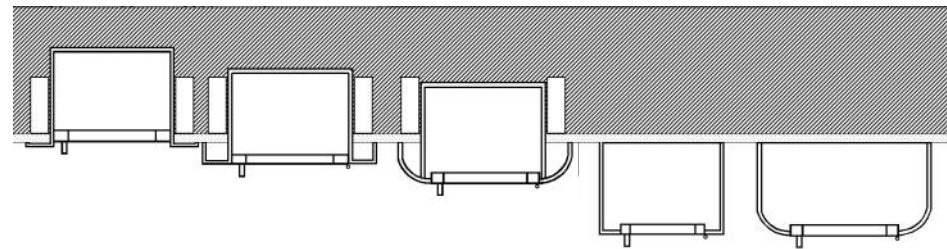
 <b>JL INDUSTRIES</b>	Distributor:	Quantity:
	Contractor:	Approved By:
	Model #:	Architect:
	Project:	Date: © 2023 Activar Construction Products Group, Inc.
HEADQUARTERS: 9702 NEWTON AV S, BLOOMINGTON, MN 55431 PH: 800-554-6077 EMAIL: SALES@ACTIVARCPG.COM WWW.ACTIVARCPG.COM MANUFACTURING: COMMERCE, CA & BLOOMINGTON MN • WAREHOUSES: SEE MULTIPLE US WAREHOUSE LOCATIONS ON WEBSITE 2/6/2023		



1417F12 3" Rolled Edge Recessed Trim with Silkscreen AED Graphic



1419SA with Custom Graphics & Optional Color



3/8" Flat Trim    1-1/2" Square Trim    2-1/2, 3 or 4" Rolled Edge    Surface Mount Square Edge    Surface Mount Rolled Edge

Optional Colors at Additional Cost - Samples Available			
Gray	Red	Black/Flat Black	Silver
Sand	AMS Beige	SC Flat Beige	Bronze

TRIM & DOOR MATERIAL & SERIES #						TUB I.D.			FRAME O.D.		WALL OPENING			
QTY	STEEL	QTY	ALUMI-NUM	QTY	STAINLESS STEEL	TRIM STYLE	A	B	C	E	F	W	H	D
	1415		1425		1435	3/8" Flat Trim●	14"	14"	6-3/4"	17-3/8"	17-3/8"	15"	15"	6-5/8"
	1416		1426		1436	1-1/2" Square Trim●	14"	14"	6-3/4"	17-3/8"	17-3/8"	15"	15"	5-3/8"
	1417		--		1437	3" Rolled Trim●	14"	14"	6-3/4"	17-3/8"	17-3/8"	15"	15"	3-7/8"
	--		1427		--	2-12" Rolled Trim●	14"	14"	6-3/4"	17-3/8"	17-3/8"	15"	15"	5"
	1412		--		1432	4" Rolled Trim/Recessed Pull●	14"	14"	6-3/4"	17-3/8"	17-3/8"	15"	15"	3-1/8"
	--		1422		--	4" Rolled Trim/Recessed Pull●	14"	14"	6-3/4"	17-3/8"	17-3/8"	15"	15"	3-3/4"
	1413		1423		1433	Surface Mounted Square Edge	17-3/16"	17-3/16"	7"	17-3/8"	17-3/8"	--	--	--
	1419		1429		1439	Surface Mounted Rolled Edge	17-3/16"	17-3/16"	7"	17-3/8"	17-3/8"	--	--	--

● Cabinets that Meet 4" Maximum ADA Projection Requirement