

SUBMITTAL: ACADEMY ALUMINUM FIRE-FX2™ FIRE-RATED EXTINGUISHER CABINETS

The Academy Series Features Aluminum Trim and Door, with 10 Door Styles & Anodized Option.

Door & Trim Construction: Clear anodized aluminum. Flush cabinet doors with a 5/8" door stop are attached by a continuous hinge and equipped with zinc-plated handle and roller catch. All models have 1-3/4" wide trim on frame and 1-1/4" trim on doors with glazing. Rolled edge models are constructed of mechanically-joined extrusions, except for models 1827 and 1027 which are die formed. *Die formed corners provide an attractive, rounded edge - unique to the JL line of cabinets!*

Trim Style & Depth: Recessed 3/8" flat trim, Semi Recessed - 1-1/4", 1-1/2" Square Edge or 2-1/2", 3", 4" (w/flush pull) and 4-1/2" models with Rolled Edge. See separate submittal for Trimless cabinets.

Tub: The tub is constructed of cold rolled steel with white powder-coat finish standard. Tub forms a flange to cover cut edges of wallboard material. Fire-resistant material is attached to the exterior of the tub.

Fire Rating: Fire-FX2™ cabinets are UL listed and labeled as an approved membrane penetration firestop system for up to 2 hours in accordance with UL 1479 (ASTM-E814) and CAN/ULC-S115, when properly installed in a wall assembly according to installation instructions.

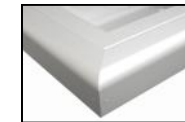


**8125D10FX2
Flat Trim**



**1827G10FX2
3" Rolled Edge Trim
Semi-Recessed
With Saf-T-Lok™**

**Models 1027 & 1827
Have Unique Die
Formed Corners!**



**Extruded Rolled
Edge**

STEP 1: SELECT MODEL NUMBER AND QUANTITY ON CHART (refer to chart on pg 2)

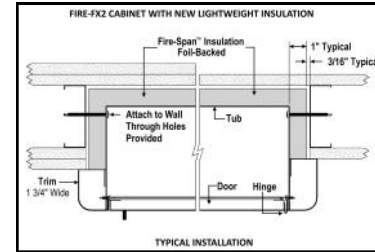
A. Determine Trim Style according to wall depth. **B.** Determine Tub I.D. according to size most suited for extinguisher and wall opening.

STEP 2: SELECT DOOR STYLE WITH HANDLE

Check one box below Examples on Page 2

- F** Full Glazing
- G** Full Glazing with SAF-T-LOK™
- D** Horizontal Duo Panel
- E** Horizontal Dual Panel with SAF-T-LOK™
- S21** Solid Door

- L22** Solid with SAF-T-LOK™
- L24** Sold with Cylinder Lock - No Handle
- V** Vertical Duo
- W** Vertical Duo with SAF-T-LOK™
- B** Solid with 2" x 4" View Window & SAF-T-LOK™



STEP 3: SELECT DOOR GLAZING

(Check one box below)

- 10** Clear Acrylic
- 13** Clear Wire Glass with Safety Film

- 15** Bronze Acrylic
- 16** Gray Acrylic
- 17** Clear Tempered Glass
- 18** Laminated Safety Glass

STEP 4: OPTIONAL FEATURES AT ADDED COST (SELECT ANY)

- Optional Tub Color: ___ Black ___ Red
- Futura "Fire" Pull ___ Mill Alum ___ Red ___ White
- Flush Pull Handle (**PRH**)
- Polished Chrome Handle (**PUCH**)
- Dark Bronze Anodized Finish (with matching pull)

- Black Vertical FE Letters **LDCVBFE**
- Red Vertical FE Letters **LDCVRFE**
- White Vertical FE Letters **LDCVWFE**
- Black Horizontal FE Letters **LDCHBFE**
- Red Horizontal FE Letters **LDCHRFE**
- White Horizontal FE Letters **LDCHWFE**

- Black Vertical Decal **LDVBFE**
- Red Vertical Decal **LDVRFE**
- White Vertical Decal **LDVWFE**
- Black Horizontal Decal **LDHBFE**
- Red Horizontal Decal **LDHRFE**
- White Horizontal Decal **LDHWFE**

- (CA)** Commander Alarm
- (BA)** Brigadier Alarm
- Etched Lettering in Glass or Engraved Lettering on Metal
Attach separate submittal for special lettering
- Powder Coat Paint ___ White ___ Bronze ___ Other Code
See website for information on Decals/Die Cuts & Wall Signs and alarms

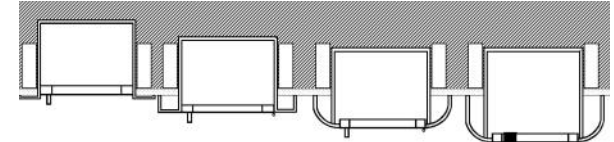
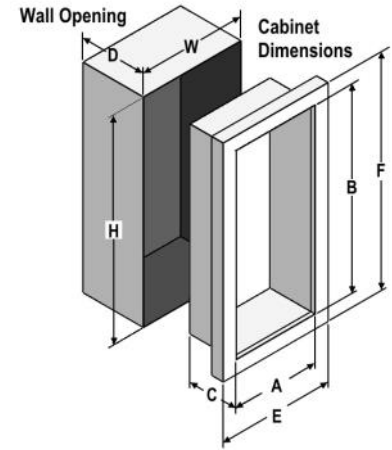
<p>JL INDUSTRIES</p> <p>© 2023 Activar Construction Products Inc</p>	Distributor:	Quantity:
	Contractor:	Approved By:
	Model #:	Architect:
	Project:	Date:
<p>HEADQUARTERS: 9702 NEWTON AVE S, BLOOMINGTON, MN 55431 PH: 800-554-6077 EMAIL: SALES@ACTIVARCPG.COM WWW.ACTIVARCPG.COM</p> <p>MANUFACTURING: BLOOMINGTON, MN & COMMERCE, CA WAREHOUSES: SEE WEBSITE FOR LOCATIONS 5/17/2023</p>		

SUBMITTAL: ACADEMY FIRE-FX2 FIRE-RATED EXTINGUISHER CABINETS

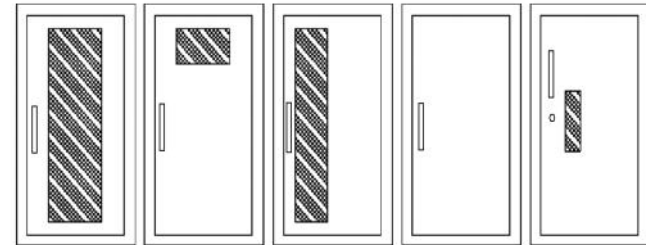
TRIM & DOOR SERIES #			Tub I.D.			Frame O.D.		FX Wall Opening			Fits Extinguishers
QTY	Model	Trim Style	A	B	C	E	F	W	H	D	
	8125	Flat 3/8" Trim ●	9	18	5 1/2	12 3/8	21 3/8	11 5/16	20 5/16	6 7/16	Cosmic & Galaxy 2 1/2-6 (6 lb must be mounted to tub wall), Mercury 2 1/2- 5
	8126	1 1/2" Square●	9	18	5 1/2	12 3/8	21 3/8	11 5/16	20 5/16	5 3/16	
	8127	2 1/2" Rolled●	9	18	5 1/2	12 3/8	21 3/8	11 5/16	20 5/16	4 13/16	
	1720	2-1/4" Square ●	10 1/2	24	5	13 7/8	27 3/8	12 13/16	26 5/16	4	Cosmic/Gal/Merc 2-5
	1825	Flat 3/8" Trim ●	10 1/2	24	5 1/2	13 7/8	27 3/8	12 13/16	26 5/16	6 7/16	Cosmic & Galaxy 2 1/2-6 (6 lb must be mounted to tub wall), Mercury 2 1/2-5
	1826	1 1/2" Square●	10 1/2	24	5 1/2	13 7/8	27 3/8	12 13/16	26 5/16	5 3/16	
	1827	3" Formed Rolled ●	10 1/2	24	5 1/2	13 7/8	27 3/8	12 13/16	26 5/16	3 11/16	
	1822	4" Rolled/Flush Pull●	10 1/2	24	5 1/2	13 7/8	27 3/8	12 13/16	26 5/16	3 1/2	
	1828	4 1/2" Rolled	10 1/2	24	5 1/2	13 7/8	27 3/8	12 13/16	26 5/16	2 13/16	
	1025	Flat 3/8" Trim ●	10 1/2	24	6	13 7/8	27 3/8	12 13/16	26 5/16	6 15/16	Cosmic & Galaxy 2 1/2-10 Mercury 2 1/2-5 , Sentinel 5
	1026	1 1/2" Square●	10 1/2	24	6	13 7/8	27 3/8	12 13/16	26 5/16	5 11/16	
	1027	3" Formed Rolled ●	10 1/2	24	6	13 7/8	27 3/8	12 13/16	26 5/16	4	
	1022	4" Rolled/Flush Pull●	10 1/2	24	6	13 7/8	27 3/8	12 13/16	26 5/16	4	
	1028	4 1/2" Rolled	10 1/2	24	6	13 7/8	27 3/8	12 13/16	26 5/16	3 5/16	
	2025	Flat 3/8" Trim ●	12	27	7 3/4	15 3/8	30 3/8	14 5/16	29 5/16	8 11/16	Any Cosmic. Galaxy, Mercury, Saturn or Grenadier P (20 lb must be mounted on back of tub), Sentinel 5 & 10, Nebula 270
	2026	1 1/4" Square●	12	27	7 3/4	15 3/8	30 3/8	14 5/16	29 5/16	7 11/16	
	2027	2 1/2" Rolled●	12	27	7 3/4	15 3/8	30 3/8	14 5/16	29 5/16	7 1/16	
	2022	4" Rolled/Flush Pull●	12	27	7 3/4	15 3/8	30 3/8	14 5/16	29 5/16	5 3/4	
	2028	4 1/2" Rolled	12	27	7 3/4	15 3/8	30 3/8	14 5/16	29 5/16	5 1/16	
	3025	Flat 3/8" Trim ●	16	32	7 3/4	19 3/8	35 3/8	18 5/16	34 5/16	8 11/16	Any Cosmic. Galaxy, Mercury, Saturn or Grenadier P (20 lb must be mounted on back of tub), Sentinel 5-15, Nebula 250, 270, 272
	3026	1 1/4" Square●	16	32	7 3/4	19 3/8	35 3/8	18 5/16	34 5/16	7 11/16	
	3027	2 1/2" Rolled●	16	34	7 3/4	20 3/8	38 3/8	18 5/16	34 5/16	7 1/16	
	3022	4" Rolled/Flush Pull●	16	32	7 3/4	19 3/8	35 3/8	18 5/16	34 5/16	5 3/4	
	3028	4 1/2" Rolled	16	32	7 3/4	19 3/8	35 3/8	18 5/16	34 5/16	5 1/16	
	4025	Flat 3/8" Trim ●	20	27	7 3/4	23 3/8	30 3/8	22 5/16	29 5/16	8 11/16	Two each of: any Cosmic, Galaxy, Mercury, Saturn or Grenadier P (20 lb must be mounted on back of tub), Sentinel 5
	4026	1 1/4" Square●	20	27	7 3/4	23 3/8	30 3/8	22 5/16	29 5/16	7 11/16	
	4027	2 1/2" Rolled●	20	27	7 3/4	23 3/8	30 3/8	22 5/16	29 5/16	7 1/16	
	4022	4" Rolled/Flush Pull●	20	27	7 3/4	23 3/8	30 3/8	22 5/16	29 5/16	5 3/4	
	4028	4 1/2" Rolled	20	27	7 3/4	23 3/8	30 3/8	22 5/16	29 5/16	5 1/16	



Lightweight, FX2 Insulation



3/8" Flat Trim 1-1/2" Square Trim 2-1/2", 3" Rolled Edge 4" Rolled Edge w/Flush Pull or 4-1/2" w/Std Pull



F - Full glass with pull handle
 G - Full glass with pull handle above Saf-T-Lok (not shown)
 D - Horizontal duo panel with pull handle
 E - Horizontal duo panel with pull handle above Saf-T-Lok (not shown)
 V - Vertical duo panel with pull handle
 W - Vertical duo panel with pull handle above Saf-T-Lok (not shown)
 S21 - Solid with pull handle
 L22 - Solid with pull handle above Saf-T-Lok
 L24 - Solid with cylinder key lock and no handle
 B - Small view window with pull handle, and Saf-T-Lok

[VIEW ALL DOOR STYLES ONLINE](#)

Cabinet Mounting Height: Standard Pull on G, E, W, L22 and B Door Styles with Saf-T-Lok are 3 5/8" Higher than Door Center, so Allow for that When Mounting Cabinet.
 Standard Pull with No Lock or Flush Recessed Pull are Centered on Door.

● Cabinets that Meet 4" Maximum ADA Projection Requirement See website for items that are available on our stock list.

It is the responsibility of the customer to communicate specifications and product performance requirements that are needed for their application. This document is intended to convey potential product configurations and offerings. It is not to be used to imply or represent a specification or rating, of finished products shipped. Detailed, specific submittals can be created upon request. It is the responsibility of the customer to specify product accordingly to comply with local laws, codes, and ordinances.