

CORNER GUARDS— CGS and CGAL SERIES

INSTALLATION AND MAINTENANCE GUIDE

GENERAL: Corner Guards provide a durable protection against the corner of the walls

TOOLS AND HARDWARE NEEDED:

Drill with Phillips bit (if installing with screws)
Caulking Gun (if installing with adhesive)

INSTALLATION NOTES:

1. Make sure the wall where corner guards are to be attached is smooth and clean so the corner guard will fit tight against the corner.
2. The top of the corner guard will rounded edges while the bottom of the corner guard will have square edges.
3. It is the responsibility of the customer to provide adequate structural framing when corner guards are to be attached with screws.

ATTACHMENT

Screw Installation:

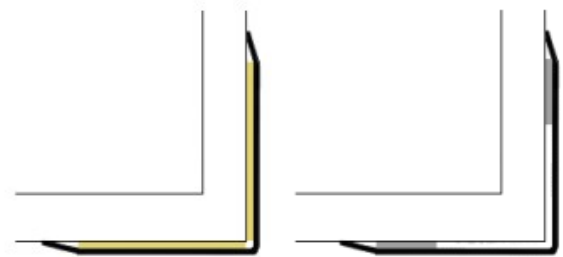
1. 1-1/4" #8 410 stainless steel flat head drilling screws are provided for use with steel stud framing and up to 5/8" of drywall. Customer to provide alternate fasteners for other mounting conditions. See page 2 for screw hole placement details.
2. Place the corner guard in position. Attach with screws provided, alternating sides and positions to avoid bowing.

Construction Adhesive Installation:

1. Apply a 1/4" bead of heavy duty adhesive in a zigzag pattern on the back of the corner guard. (FIG1)
Note: 10 fl. oz cartridge with a 1/4" bead extrudes approximately linear 30 ft.
2. Position corner guard on the wall and apply pressure until a tight fit is achieved. Support corner guard in place until adhesive is cured.

Adhesive Tape Installation:

1. Remove backing on double sided tape (FIG 2)
2. Position corner guard on the wall and apply pressure until a tight fit is achieved.



Application of Liquid Adhesive

Application of Mounting Tape



FIG 1



FIG 2

SPECIAL INSTALLATION CONDITIONS:

135 degree corners may have studs located in other configurations. If screws are used as attachment, please make sure that holes in corner guard either line up with stud or use wall anchors in locations where they don't.



JL INDUSTRIES



800-554-6077



sales@activarcpg.com



www.activarcpg.com

9702 Newton Av S. Bloomington, MN 55431 | Many Locations Nationwide

© 2022 Activar Construction Products Group, Inc.

The information contained in this document is the sole property of Activar Construction Products Group, Inc. Any reproduction in part or as a whole without the written permission of Activar Construction Products Group, Inc. is prohibited.

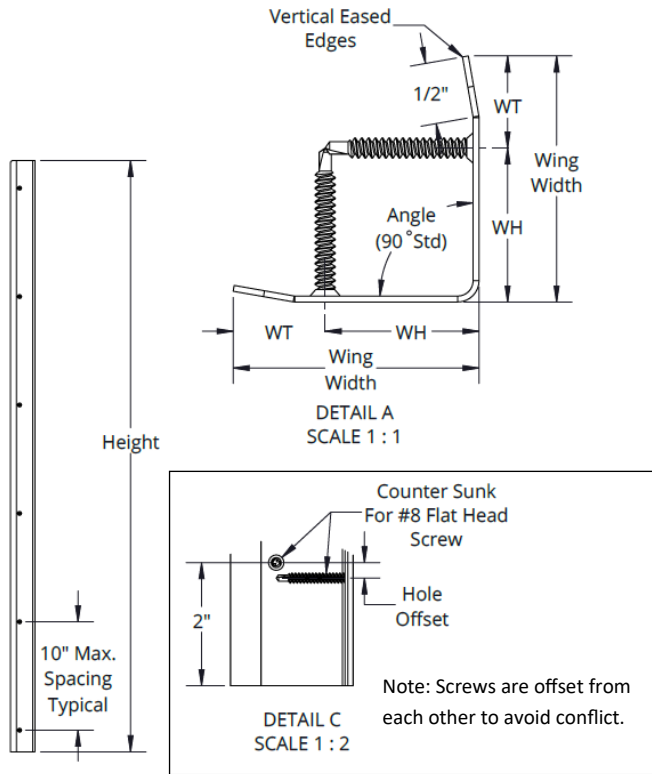
Page 1 of 2

REV A – 8/4/2023

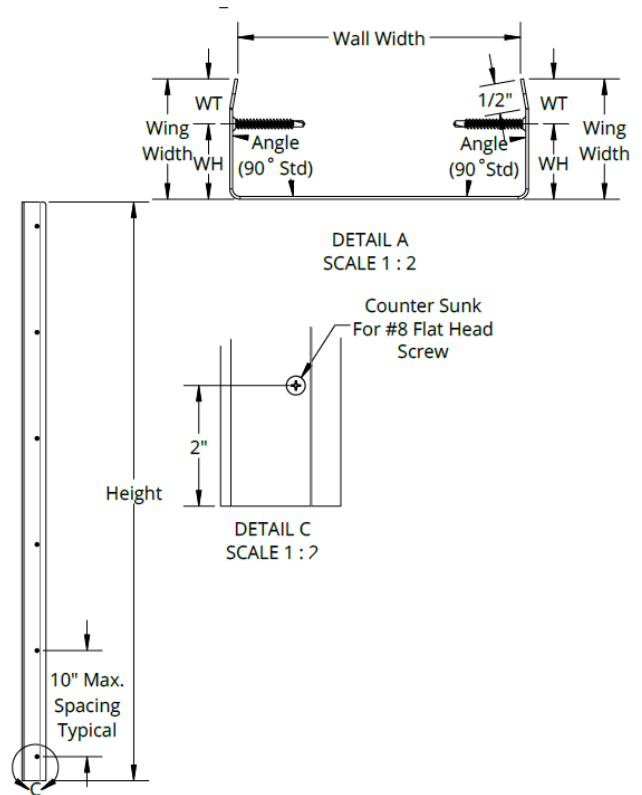
CORNER GUARDS— CGS and CGAL SERIES INSTALLATION AND MAINTENANCE GUIDE

Hole Placement Details:

90 Degree Corner Details for Screw Attachment



90 Degree Endwall Details for Screw Attachment



90 Degree Corner Guards		
Wing Width	WT	WH
1 1/2" to 3"	3/4"	Varies
Over 3"	Varies	2"

90 Degree Endwall Corner Guards		
Wing Width	WT	WH
1 1/2" to 3"	3/4"	Varies
Over 3"	Varies	2"

MAINTENANCE:

Use a soft cloth and a good metal cleaner. We recommend Mr. Metal by Northern Labs for stainless steel only.

REPLACEMENT PARTS:

Screws: PN 12330T (Flat Head Drilling Screw for Metal, 410 Stainless Steel, Number 8 Size, 1-1/4" Long)



JL INDUSTRIES



800-554-6077



sales@activarcpg.com



www.activarcpg.com

9702 Newton Av S. Bloomington, MN 55431 | Many Locations Nationwide

© 2022 Activar Construction Products Group, Inc.

The information contained in this document is the sole property of Activar Construction Products Group, Inc. Any reproduction in part or as a whole without the written permission of Activar Construction Products Group, Inc. is prohibited.