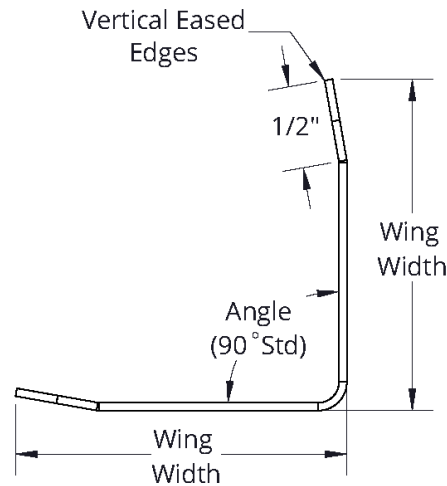
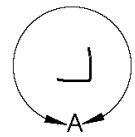
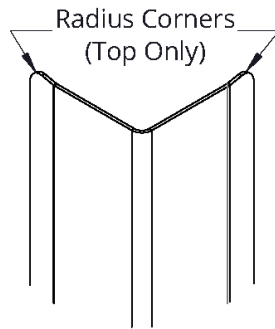


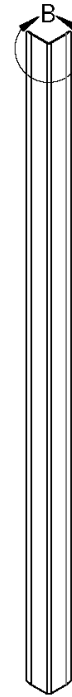
# CORNER GUARDS— CGS SERIES



DETAIL A  
SCALE 1 : 1



DETAIL B  
SCALE 1 : 2



## SPECIFICATIONS:

**Material:** 18 gauge stainless steel #4 finish US32D (BHMA 630), grain direction is parallel to the height

**Wing width:** 1-1/2", 2", 2-1/2", 3", 3-1/2" wing on two sides with vertical eased edges

**Height:** Minimum: 12"; Maximum: 108"

**Angle:** 90 degree with 1/8" radius

**Installation:** Top corners are radius , bottom corners are square

### Mounting Options:

- Standard corner guards mount using adhesive ordered separately. Off White water-based construction adhesive PL375 (CG-KIT-ADH-PL). 10 oz tube for approximately 30 linear feet. Order adhesive on page 2.
- Countersunk holes with 1-1/4" #8 SS self-drilling screws (H)
- Double sided tape applied (T)

### OPTIONS:

**Material:** .050 anodized aluminum  
16gauge stainless steel  
#7 18 gauge stainless steel finish

**Corner Features:** 3/4" Bullnose radius corner, other angles.

### COMPLIES:

Stainless steel - ASTM A240-7

### NOTES:

Screws only available for wing sizes over 1-1/2" and up.

### Stocked Stainless Steel Models—90°, 48" Height, No Tape or Screws

Qty	Part Number	Wing Width	Height
	<b>CGSS90-1.5E-48</b>	1-1/2"	48"
	<b>CGSS90-2E-48</b>	2"	48"
	<b>CGSS90-2.5E-48</b>	2-1/2"	48"
	<b>CGSS90-3E-48</b>	3"	48"
	<b>CGSS90-3.5E-48</b>	3-1/2"	48"
Complete the table on page 2 for other sizes, finishes and options			



**JL INDUSTRIES**



800-554-6077



sales@activarcpg.com

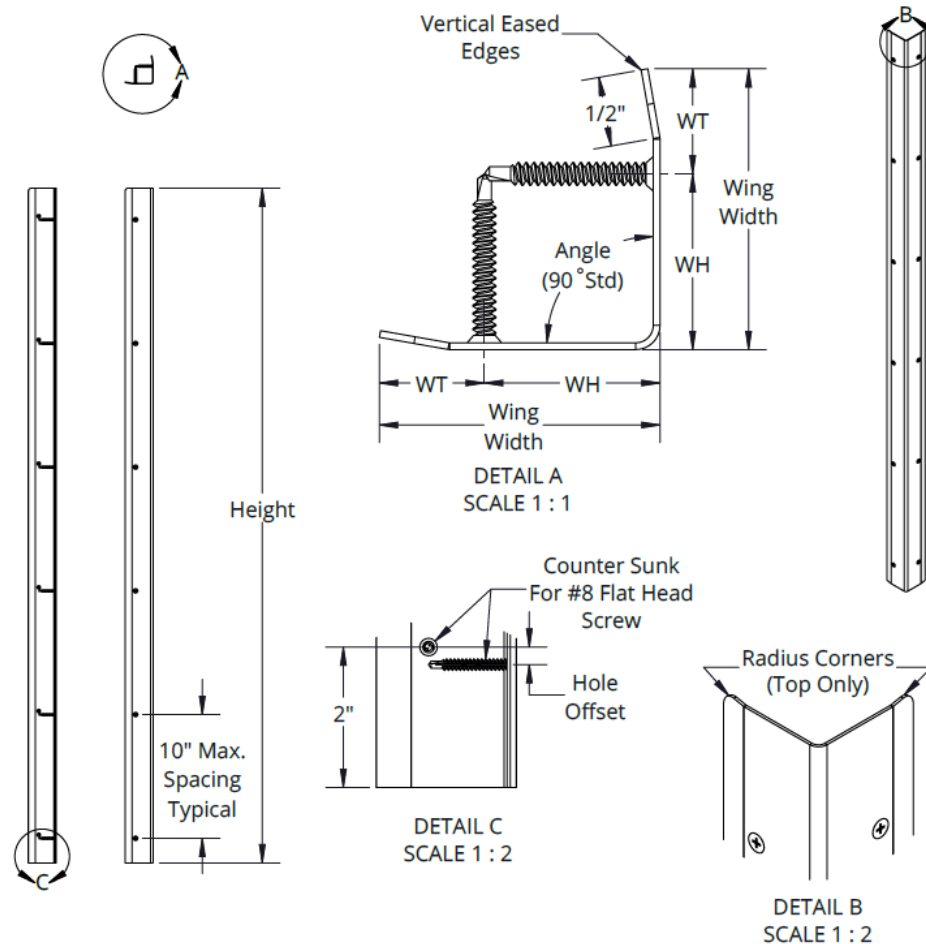


www.activarcpg.com

9702 Newton Av S. Bloomington, MN 55431 | Many Locations Nationwide

Distributor:		Project:	
Contractor:		Approved By:	
Date:	Quantity:	Architect:	
Scale: N/A	Pages: 1 of 2	Item #	

Countersunk hole locations shown below:



Hole Position on 90 Degree Wing		
Wing Size	WT	WH
1 1/2" to 3"	3/4"	Varies
Over 3"	Varies	2"

Adhesive Ordered Separately—Check Here	
<b>CG-KIT-ADH-PL</b>	
PL375 Off White Water-based Construction Adhesive. 10 oz tube for approximately 30 linear feet. (# of tubes will be calculated based on your order)	

**MADE-TO-ORDER CORNER GUARD—EXAMPLE: CGSS110-2.5E-96T**

MODEL	MATERIAL	CORNER ANGLE	WING WIDTH	EDGE	HEIGHT	MOUNTING	OPTIONS
CG	SS Stainless Steel #4 - 18 gauge (Std)	90 90 Degree Angle (Std)	1.5 1.5"	E Eased Edge (Standard)	48 48"	None (Adhesive ordered separately)	BN 3/4" Radius Bullnose
	SH Stainless Steel #4 - 16 gauge	135 135 Degree Angle	2 2"		96 96"		
	AL Aluminum - .050 (std)	Other Angle	2.5 2.5" 3 3" Other		Other Size	T Tape Applied	

It is the responsibility of the customer to communicate specifications and product performance requirements that are needed for their application. This document is intended to convey potential product configurations and offerings. It is not to be used to imply or represent a specification or rating, of finished products shipped. Detailed, specific submittals can be created upon request. It is the responsibility of the customer to specify product accordingly to comply with local laws, codes, and ordinances.