

SUBMITTAL: SCHOOL FIRE EXTINGUISHER CABINETS

JL School Cabinets for fire extinguishers are constructed of heavy duty materials for rough duty applications, and offer a range of durable options.

Door & Trim Construction: 12 gauge steel with white powder-coat paint finish or 14 gauge #4 stainless steel door. Flush cabinet doors with 1-1/2" face trim on doors with glazing are mounted in a 5/8" door stop, attached by a heavy-duty continuous hinge and equipped with a zinc-plated handle and roller catch. Saf-T-Lok™ theft-deterrent feature is available on several door styles. All recessed models shown in blue meet the 4" ADA projection requirement.

Trim Style & Depth: **Recessed** - 1" wide flat trim. **Semi-Recessed** - 1" wide by 2-1/2" deep square edge. **Surface-Mount**—square edge with 1" wide face trim on frame.

Tub: The tub is constructed of 16 gauge cold rolled steel with white powder-coat finish, or 16 gauge stainless steel. Heavy duty masonry anchors are welded to frame on all recessed cabinets.

Fire-Rated: This cabinet is available as fire-rated. See separate submittal.



CS2015F17

STEP 1: SELECT MODEL NUMBER AND QUANTITY ON CHART BELOW

STEP 2: SELECT DOOR STYLE

- F** Full Glazing
- G** Full Glazing with SAF-T-LOK
- D** Horizontal Duo Panel
- E** Horizontal Duo Panel with SAF-T-LOK
- S21** Solid Door

Check one box below

- L22** Solid with SAF-T-LOK
- V** Vertical Duo
- W** Vertical Duo with SAF-T-LOK

STEP 3: SELECT DOOR GLAZING Check box below

- 10** Clear Acrylic
- 19** Polycarbonate
- 17** Clear Tempered Glass
- 18** Laminated Safety Glass

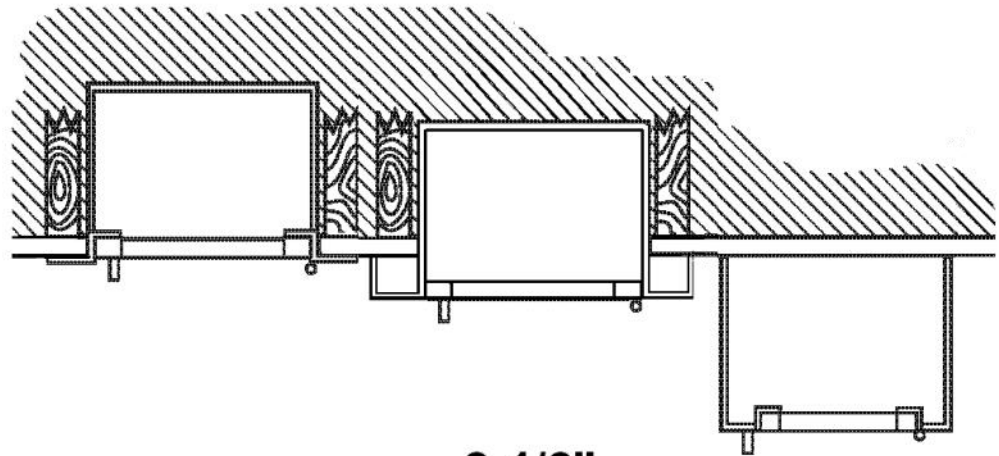
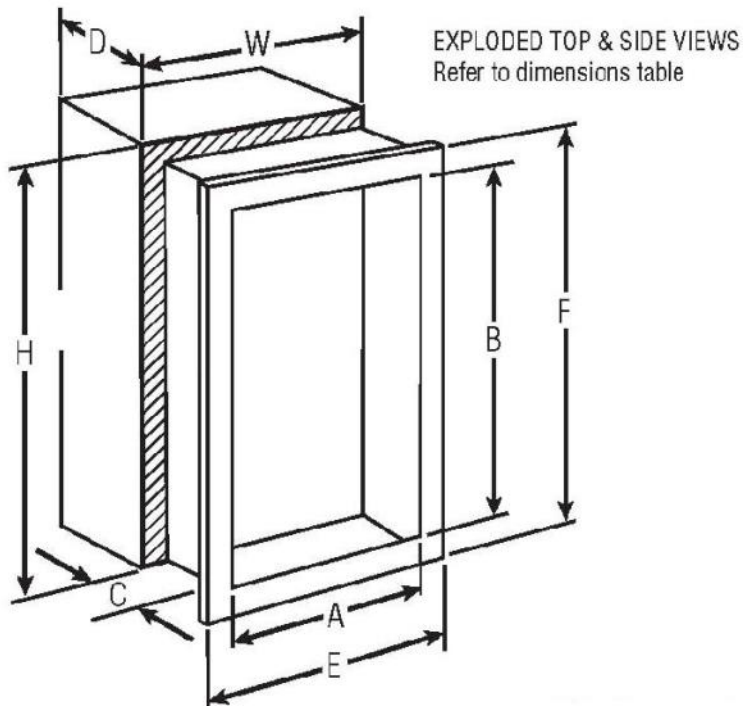
		TRIM & DOOR MATERIAL & SERIES			TUB I.D. W x H x D In Inches			FRAME O.D. W x H In Inches		WALL OPENING			SHIP WT	RECOMMENDED EXTINGUISHER
QTY	STEEL	QTY	STAINLESS	TRIM STYLE	A	B	C	E	F	W	H	D	LBS	Link to Extinguishers
	CS2015		CS2035	Flat Trim	12	27	7-3/4	14	29	13	28	8	33	Any Cosmic, Galaxy, Mercury, Saturn & Grenadier P, Sentinel 5-10
	CS2017		CS2037	2-1/2" Square Edge	12	27	7-3/4	14	29	13	28	5-1/2	34	
	CS2013		CS2033	Surface-Mounted	14-3/8	29-3/8	7-7/8	14-1/2	29-1/2	—	—	—	34	

STEP 4: OPTIONAL FEATURES AT ADDED COST (SELECT ANY)

- Optional Tub Color: ___ Black ___ Red
- Futura "Fire" Pull ___ Mill Alum ___ Red ___ White
- Flush Pull Handle (PRH)
- Red Powder Coat Finish
- Black Powder Coat Finish
- Black Vertical FE Letters **LDCVBFE**
- Red Vertical FE Letters **LDCVRFE**
- White Vertical FE Letters **LDCVWFE**
- Black Horizontal FE Letters **LDCHBFE**
- Red Horizontal FE Letters **LDCHRFE**
- White Horizontal FE Letters **LDCHWFE**
- Black Vertical Decal **LDVBFE**
- Red Vertical Decal **LDVRFE**
- White Vertical Decal **LDVWFE**
- Black Horizontal Decal **LDHBF**
- Red Horizontal Decal **LDHRFE**
- White Horizontal Decal **LDHWFE**

View details for [Decals & Die Cuts](#) & Wall Signs

	Distributor:	Quantity:
	Contractor:	Approved By:
	Model #:	Architect:
	Project:	Date:
© 2020 Activar Construction Products Group, Inc.		
HEADQUARTERS: 9702 NEWTON AV S, BLOOMINGTON, MN 55431 PH: 800-554-6077 FAX: 952-835-2218 EMAIL: SALES@ACTIVARCPG.COM WWW.ACTIVARCPG.COM MANUFACTURING: BLOOMINGTON MN & COMMERCE, CA • WARE HOUSES: FT MYERS FL, ATLANTA GA, DALLAS TX, SEATTLE WA, LANCASTER PA, FARGO ND, OMAHA NE, CHICAGO IL 1/13/2020		



Flat Trim **2-1/2" Square Trim** **Square Edge Surface Mt.**



CS2017F17



CS20137F17

