

SUBMITTAL: CAVALIER™ FIRE EXTINGUISHER CABINET

Select the Beauty and Upscale Finish of Bronze or Brass to add that Luxury Look to Your Next Project.

Door and Trim Construction: Cabinets are available in US 10 satin bronze or US 3 polished brass. Flush cabinet doors with a 5/8" door stop are attached by a continuous hinge and equipped with pull handle of material matching the finish, and roller catch. All models have 1-3/4" wide trim on frame and 1-1/4" trim on doors with glazing. Can also be ordered with our theft-deterrent Saf-t-Lok™ which features a cylinder lock with a plastic cam allowing the door to be opened with a sharp tug.

Trim Style and Depth: Recessed - 3/8" flat trim. Semi-Recessed - 1 1/4", 1 1/2" Square Edge or 3" Rolled Edge. Surface-mount has a square edge.

Tub: Constructed of cold rolled steel with white powder-coat finish standard. Surface mount cabinets are the same finish as the trim.

Fire-Rated Option Available: Yes - See Separate Submittal

STEP 1: SELECT MODEL NUMBER AND QUANTITY ON CHART (refer to chart on page 2)

- A. Determine Trim Style according to wall depth.
- B. Determine Tub I.D. according to size most suited for extinguisher and wall opening.
- C. Select Model and Material

STEP 2: Select Door Style Below: (See page 2)

Door Styles (with handle)

- | | | |
|--|--|--|
| <input type="checkbox"/> F Full Glazing | <input type="checkbox"/> S21 Solid | |
| <input type="checkbox"/> G Full Glazing & Saf-t-Lok | <input type="checkbox"/> L22 Solid & Saf-T-Lok | |
| <input type="checkbox"/> D Horizontal Duo Panel | <input type="checkbox"/> L24 Solid with Cylinder Lock & No Handle | <input type="checkbox"/> V Vertical Duo |
| <input type="checkbox"/> E Horizontal Duo Panel & Saf-T-Lok | <input type="checkbox"/> B10 Solid with 2"x4" Glass & Saf-T-Lok | <input type="checkbox"/> W Vertical Duo & Saf-T-Lok |

STEP 3: Select Door Glazing Below

- | | | |
|---|---|---|
| <input type="checkbox"/> 10 Clear Acrylic | <input type="checkbox"/> 15 Bronze Acrylic | <input type="checkbox"/> 17 Clear Tempered Glass |
| <input type="checkbox"/> 13 Clear Wire Glass w/Safety Film | <input type="checkbox"/> 16 Gray Acrylic | <input type="checkbox"/> 18 Laminated Safety Glass |

STEP 4: Options at Additional Cost (Select Any)

- | | | | |
|--|---|---|---|
| <input type="checkbox"/> Futura "Fire" Pull ___ Mill Alum ___ Red ___ White | <input type="checkbox"/> Black Vertical FE Letters LDCVBFE | <input type="checkbox"/> Black Vertical Decal LDVBFE | <input type="checkbox"/> CA Commander Alarm |
| <input type="checkbox"/> Flush Pull Handle PRH | <input type="checkbox"/> Red Vertical FE Letters LDCVRF | <input type="checkbox"/> Red Vertical Decal LDVRF | <input type="checkbox"/> BA Brigadier Alarm |
| <input type="checkbox"/> Optional Color Tub ___ Black ___ Red | <input type="checkbox"/> White Vertical FE Letters LDCVWFE | <input type="checkbox"/> White Vertical Decal LDVWFE | <input type="checkbox"/> SA Strobe Alarm (Surface Mount Models) |
| <input type="checkbox"/> US9 Bright Polished Door & Trim (Pull of Matching Material) | <input type="checkbox"/> Black Horizontal FE Letters LDCHBFE | <input type="checkbox"/> Black Horizontal Decal LDHBFE | <input type="checkbox"/> Vertical Red FE Silkscreen Lettering on Glass - SSFELVR |
| <input type="checkbox"/> US4 Satin Brass Door & Trim (Pull of Matching Material) | <input type="checkbox"/> Red Horizontal FE Letters LDCHRFE | <input type="checkbox"/> Red Horizontal Decal LDHRFE | <input type="checkbox"/> Lettering: Etched or Silkscreen on Glass, Custom Vinyl |
| | <input type="checkbox"/> White Horizontal FE Letters LDCHWFE | <input type="checkbox"/> White Horizontal Decal LDHWFE | <input type="checkbox"/> Check Above Box and Attach separate submittal to order. |




1855V10

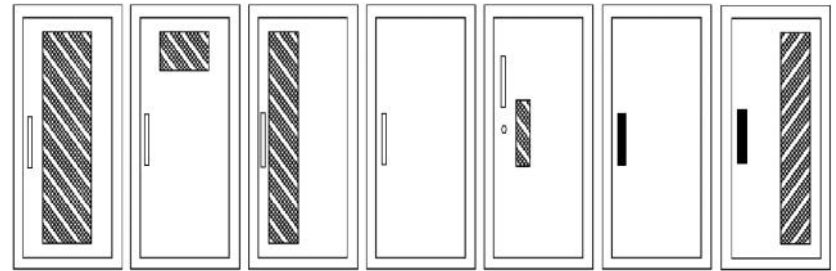
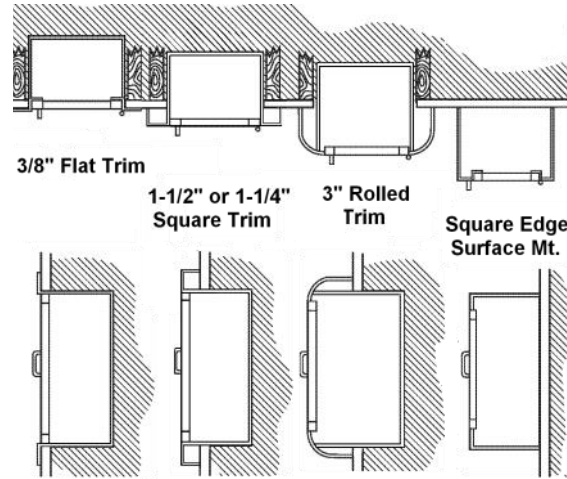
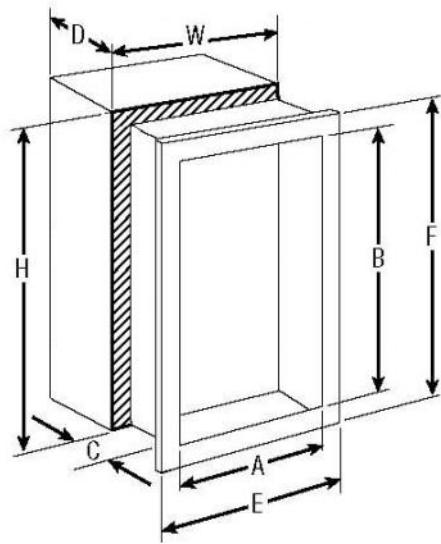


1847S21

It is the responsibility of the customer to communicate specifications and product performance requirements that are needed for their application. This document is intended to convey potential product configurations and offerings. It is not to be used to imply or represent a specification or rating, of finished products shipped. Detailed, specific submittals can be created upon request. It is the responsibility of the customer to specify product accordingly to comply with local laws, codes, and ordinances.

 JL INDUSTRIES 9702 Newton Av S. Bloomington, MN 55431 800-554-6077 sales@activarcpg.com www.activarcpg.com	Distributor:	Project:	
	Contractor:	Approved By:	
	Date:	Quantity:	Architect:
	Scale: N/A	Pages: 1 of 2	Item #

SUBMITTAL: CAVALIER FIRE EXTINGUISHER CABINET



- F - Full glass with pull handle
- G - Full glass with pull handle and Saf-T-Lok
- D - Horizontal duo panel with pull handle
- E - Horizontal duo panel with pull handle and Saf-T-Lok
- V - Vertical duo panel with pull handle
- W - Vertical duo panel with pull handle and Saf-T-Lok
- S21 - Solid with pull handle
- L22 - Solid with pull handle and Saf-T-Lok
- B - Solid with pull handle view window and Saf-T-Lok
- Example of door with ADAC recessed handle
- Optional: Vertical duo with ADAC recessed handle
- L24 - Solid with cylinder key lock & no handle

Trim and Door Material and Series #					Tub I.D.			Frame O.D.		Wall Opening: Non-Rated			Accommodates Extinguishers		
QTY	US10 Satin Bronze	QTY	US10B Oil-rubbed Bronze	QTY	US3 Polished Brass	Trim Style	A	B	C	E	F	W	H	D	
	1845		1885		1855	Flat Trim ●	10 1/2	24	5 1/2	13 7/8	27 3/8	11 1/2	25	5 3/8	Cosmic & Galaxy 2 1/2-6 (6lb must be mounted on tub) Mercury 2 1/2, 5
	1846		1886		1856	1 1/2" Square ●	10 1/2	24	5 1/2	13 7/8	27 3/8	11 1/2	25	4 1/8	
	1847		1887		1857	3" Rolled ●	10 1/2	24	5 1/2	13 7/8	27 3/8	11 1/2	25	2 5/8	
	1045		1085		1055	Flat Trim ●	10 1/2	24	6	13 7/8	27 3/8	11 1/2	25	5 7/8	Cosmic & Galaxy 2 1/2-10 Sentinel 5, Mercury 2 1/2, 5
	1046		1086		1056	1 1/2" Square ●	10 1/2	24	6	13 7/8	27 3/8	11 1/2	25	4 5/8	
	1047		1087		1057	3" Rolled ●	10 1/2	24	6	13 7/8	27 3/8	11 1/2	25	3 1/8	
	1043		1083		1053	Surf. Mt Square	13 11/16	27 3/16	6 1/2	13 7/8	27 3/8	--	--	--	
	2045		2085		2055	Flat Trim ●	12	27	7 3/4	15 3/8	30 3/8	13	28	7 5/8	Any Cosmic or Galaxy (20 lb must be mounted on tub), Mercury, Saturn or Grenadier P, Sentinel 5, 10, Nebula 270
	2046		2086		2056	1 1/4" Square ●	12	27	7 3/4	15 3/8	30 3/8	13	28	6 5/8	
	2043		2083		2053	Surf. Mt Square	15 3/16	30 3/16	8 1/4	15 3/8	30 3/8	--	--	--	



2086V10
US10B Oil-Rubbed Finish with White Vertical Diecut Letters

● Models in Blue Meet 4" Maximum ADA Projection Requirement