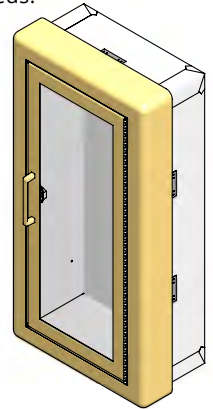
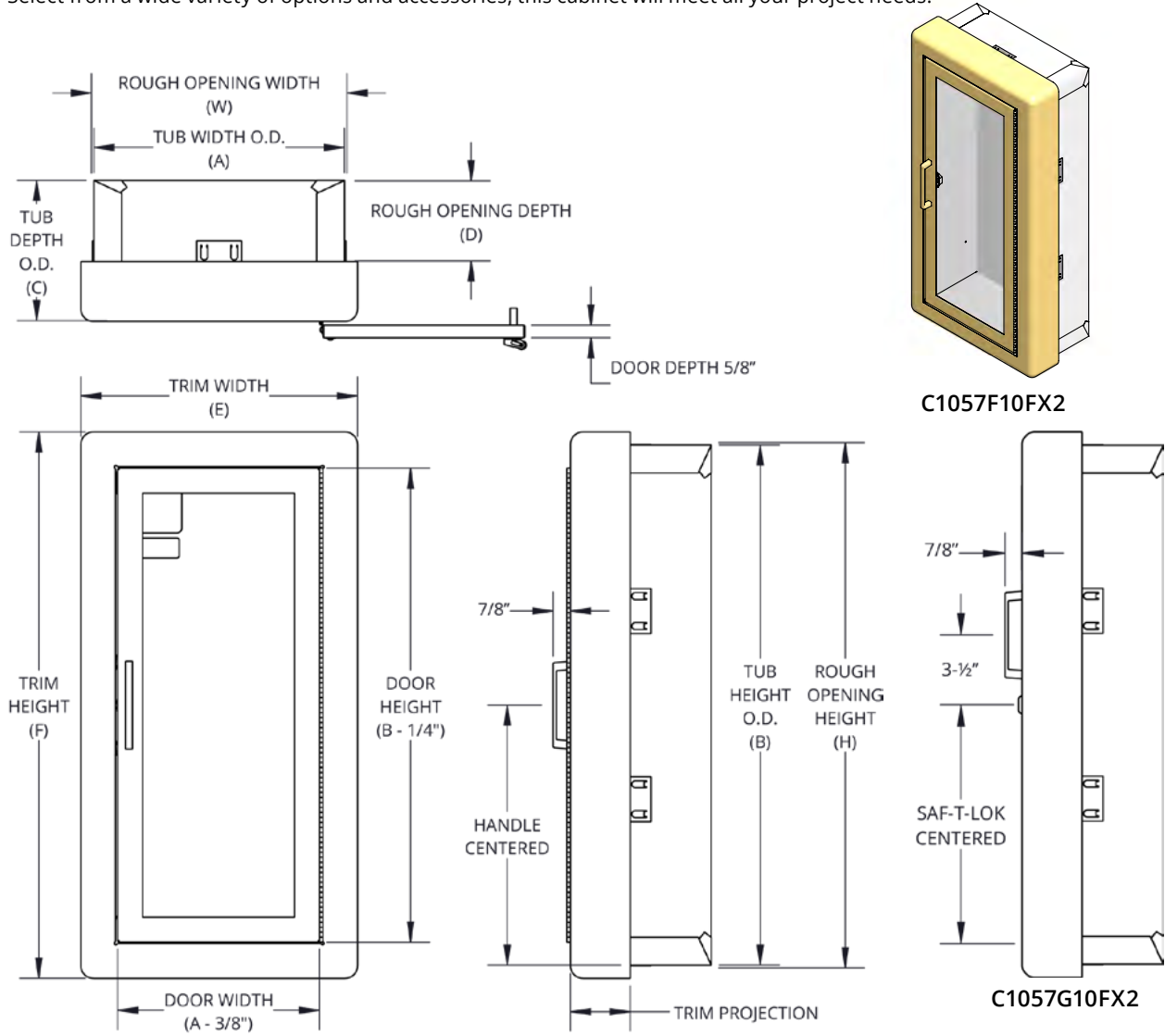
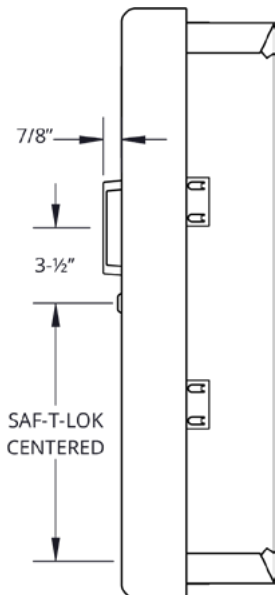


# FIRE PROTECTION CABINET - ARCHITECTURAL: CAVALIER FIRE-FX2™ SERIES - Bronze/Brass

As a leader in the industry, J.L Industries offers a cabinet with an upscale finish: The Architectural Cavalier Series. Available with a variety of lustrous finishes in multiple tub sizes designed to be compatible multiple fire extinguishers. Select from a wide variety of options and accessories, this cabinet will meet all your project needs.



C1057F10FX2



C1057G10FX2

## SPECIFICATIONS:

- Tub Material:** Based on size
  - 20 ga:** Cold Rolled Steel (CRS) white powder coat; 40 tub
  - 22 ga:** Cold Rolled Steel (CRS) white powder coat; 81, 17, 20, 30 tub
  - 24 ga:** Galvanized painted white; 10, 18 tub
- Surface mount:** Same material as door & trim
- Trim Material & Finish:** based on style; clear anodized
  - 0.046" US10, US10B, US3, US4:** Full recessed 3/8" square flat trim, semi-recessed 1-1/4", 1-1/2", semi-recessed rolled trim 3", surface-mount square trim
- Door Material & Finish:** 0.046 ga US10 satin bronze, 0.046 ga US10B Oil-Rubbed bronze, 0.046 ga US3 polished brass, 0.046 ga US4 satin brass
- Glazing:** .090" Clear acrylic
- Insulation:** Foil-faced mineral wool
- Hinge:** Continuous hinge, opens to 180°
- Hardware:** Pull handle of matching material with roller catch or cylinder Saf-T-Lok™
- ADA Compliance:** Cabinet cannot protrude more than 4" and the handle cannot be mounted more than 48" above finished floor. Surface-mount and 4-1/2" trim style do not comply with ADA.

## FIRE-RATINGS:

UL classified and labeled up to 2 hours in accordance with UL 1479 (ASTM-E814) and CAN/USC-S115.


## OPTIONS:

- Tub:** Same material as door & trim
- Door:** Full, vertical duo, solid, horizontal
- Glazing:** 1/8" clear tempered, 1/4" clear wired glass, 1/8" bronze acrylic, 1/8" gray acrylic, 1/4" clear laminated safety glass
- Handles:** Recessed handle
- Alarms:** Commander alarm, Brigadier alarm, Strobe alarm
- Lettering:** Silkscreen, etching

## ADDITIONAL ACCESSORIES (sold separately)

Die cuts, decals, plastic signs  
See supplemental submittals for more information on various options and accessories.

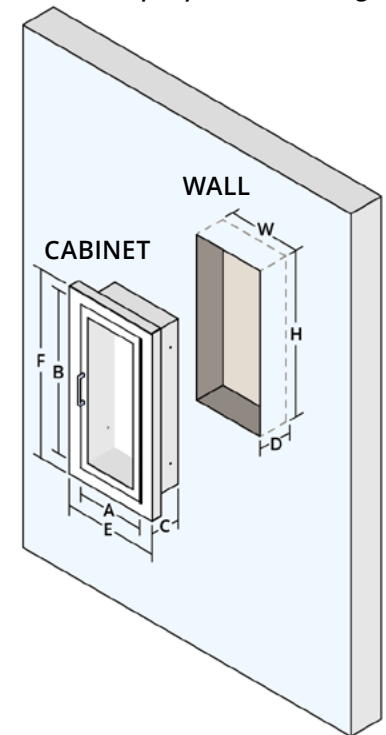
Interpretation of fire and building codes may vary. Consult with the local authority having jurisdiction (AHJ) to determine appropriate standards.

 <b>JL INDUSTRIES</b> 9702 Newton Avenue S, Bloomington, MN 55431	800-554-6077 sales@activarcpg.com www.activarcpg.com	Distributor:		Project:	
		Contractor:		Approved By:	
		Date:		Architect:	
		Scale: N/A	Page 1 of 4	Item#:	

**FIRE PROTECTION CABINET - ARCHITECTURAL: CAVALIER FIRE-FX2™ SERIES - Bronze/Brass**

*\*Confirm wall rough opening depth prior to ordering*

COMPATIBLE FIRE EXTINGUISHERS	MODEL & TRIM					ADA ≤4"	TUB I. D.			TRIM O. D.		WALL ROUGH OPENING*			WT LBS	
	MODEL US10	MODEL US10B	MODEL US3	MODEL US4	TRIM PROJECTION		WIDTH (A)	HEIGHT (B)	DEPTH (C)	WIDTH (E)	HEIGHT (F)	WIDTH (W)	HEIGHT (H)	DEPTH (D)		
<b>Cosmic, Galaxy 2.5 - 6 lb</b> (mount 6 lb to tub) <b>Mercury 2.5 - 5 lb</b>	C8145	C8185	C8155	C8175	3/8" flat square	✓	9"	18"	5-1/2"	12-3/8"	21-3/8"	11-5/16"	20-5/16"	6-7/16"	16	
	C8146	C8186	C8156	C8176	1-1/2" square	✓								5-3/16"		
<b>Cosmic/Galaxy 2.5 - 6 lb</b> (mount 6 lb to tub) <b>Mercury 2.5 - 5 lb</b>	C1845	C1885	C1855	C1875	3/8" flat square	✓	10-1/2"	24"	5-1/2"	13-7/8"	27-3/8"	12-13/16"	26-5/16"	6-7/16"	19	
	C1846	C1886	C1856	C1876	1-1/2" square	✓								5-3/16"		20
	C1847	C1887	C1857	C1877	3" rolled	✓								3-11/16"		22
<b>Cosmic, Galaxy 2.5 - 10 lb</b> <b>Mercury 2.5 - 5 lb</b> <b>Sentinel 5 lb</b>	C1045	C1085	C1055	C1075	3/8" flat square	✓	10-1/2"	24"	6"	13-7/8"	27-3/8"	12-13/16"	26-5/16"	6-15/16"	19	
	C1046	C1086	C1056	C1076	1-1/2" square	✓								5-11/16"		20
	C1047	C1087	C1057	C1077	3" rolled	✓								4"		22
<b>Cosmic, Galaxy</b> (mount 20 lb to tub) <b>Mercury 2.5 - 15.5 lb</b> <b>Sentinel 5 - 10 lb</b>	C2045	C2085	C2055	C2075	3/8" flat square	✓	12"	27"	7-3/4"	15-3/8"	30-3/8"	14-5/16"	29-5/16"	8-11/16"	27	
	C2046	C2086	C2056	C2076	1-1/4" square	✓								7-11/16"		28
<b>Cosmic, Galaxy</b> (mount 20 lb to tub) <b>Mercury 2.5 - 15 lb</b> <b>Sentinel 5 - 15 lb</b>	C3045	C3085	C3055	C3075	3/8" flat square	✓	16"	32"	7-3/4"	19-3/8"	35-3/8"	18-5/16"	34-5/16"	8-11/16"	43	
	C3046	C3086	C3056	C3076	1-1/4" square	✓								7-11/16"		



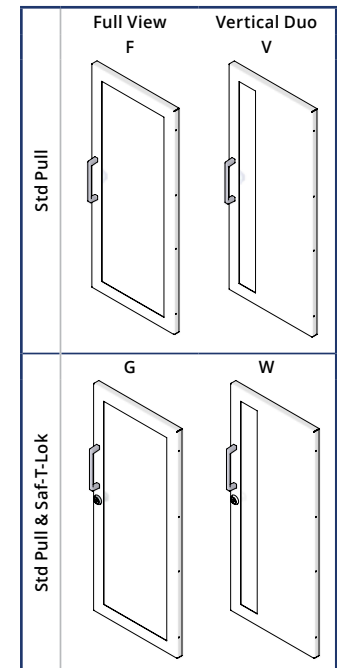
Fire-rated specific wall opening



C1077S21FX2



C1047V10FX2



**FIRE PROTECTION CABINET - ARCHITECTURAL: CAVALIER FIRE-FX2™ SERIES - Bronze/Brass**

**COMMON CABINETS**

QTY	MODEL	DESCRIPTION
	C1047V10FX2	FIRE-RATED, US10 BRNZ, 3" RLD TRIM, VERT DUO, CLR ACR
	C1047S21FX2	FIRE-RATED, US10 BRNZ, 3" RLD TRIM, SLD
	C1085F10FX2	FIRE-RATED, US10B OIL BRNZ, 3/8" FLAT TRIM, FULL VIEW, CLR ACR
	C1087V10FX2	FIRE-RATED, US10B OIL BRNZ, 3" RLD TRIM, VERT DUO, CLR ACR
	C1057V10FX2	FIRE-RATED, US3 BRASS, 3" RLD TRIM, VERT DUO, CLR ACR
	C1076F10FX2	FIRE-RATED, US4 BRASS, 1-1/2" SQ TRIM, FULL VIEW, CLR ACR

**GLAZING**

QTY	MODEL	DESCRIPTION
	G10F17	1/8" CLR TEMPERED, 8-1/2" x 22-3/4"

For quick ship from warehouses, order separately with cabinet instead of made-to-order on cabinet.  
Ex. Order C1057F10 and G10F17 instead of C1057F17

**HANDLES**

QTY	MODEL	DESCRIPTION
	PUF	FUTURA "FIRE" HANDLE, MILL
	PUFR	FUTURA "FIRE" HANDLE, RED
	PUFW	FUTURA "FIRE" HANDLE, WHITE
	PUS-US10B	PULL HANDLE, SATIN OIL-RUBBED BRONZE
	PUS-US10	PULL HANDLE, SATIN BRONZE
	PUS-US3	PULL HANDLE, POLISHED BRASS
	PUS-US32D	PULL HANDLE, SATIN STAINLESS STEEL

- Pull handles match door/trim material



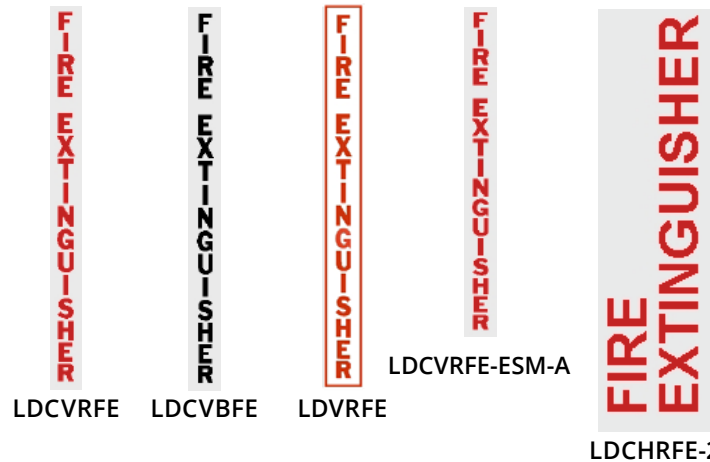
**PLASTIC SIGNS**

QTY	MODEL	DESCRIPTION
	22S	FE, 3D ANGLE, 4" x 12"
	23S	FE, 3D TENT, 4" x 18"
	24S	FE, 3D TENT, 5" x 6"
	25S	FE, FLUSH, 4" x 12"



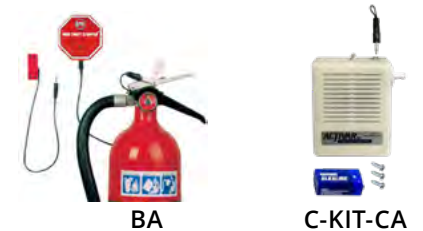
**LETTERING**

QTY	MODEL	DESCRIPTION
	LDCVRFE	DIE CUT, VERT, RED, FIRE EXTINGUISHER, 3/4" x 18"
	LDCVBFE	DIE CUT, VERT, BLACK, FIRE EXTINGUISHER, 3/4" x 18"
	LDVRFE	DECAL, VERT, RED, FIRE EXTINGUISHER, 3/4" x 18"
	LDCVRFE-ESM-A	DIE CUT, VERT, RED, FIRE EXTINGUISHER (fits 81 tub), 3/4" x 14"
	LDCHRFE-2	DIE CUT, HORZ, RED, FIRE EXTINGUISHER, 2" HIGH, 4-1/2" x 21"



**ALARMS**

QTY	MODEL	DESCRIPTION
	BA	BRIGADIER ALARM, MINI THEFT STOPPER WITH DOOR POSITION SENSOR
	C-KIT-CA	COMMANDER ALARM KIT, includes alarm, 9V battery, & screws



**Refer to supplemental submittals for information on more options and accessories.**

It is the responsibility of the customer to communicate specifications and product performance requirements that are needed for their application. This document is intended to convey potential product configurations and offerings. It is not to be used to imply or represent a specification or rating of finished products shipped. Detailed, specific submittals can be created upon request. It is the responsibility of the customer to specify product accordingly to comply with local laws, codes, and ordinances.

**MADE-TO-ORDER CAVALIER FIRE PROTECTION CABINET** - EXAMPLE: C1056D17FX2A-SS01

QTY	PRODUCT LINE	TUB I.D. SIZE	DOOR/TRIM MATERIAL	TRIM PROJECTION	DOOR/LATCH STYLE	GLAZING/DOOR TYPE					
	C (Cabinet)	81	9" x 18" x 5-½"	4	Bronze, US10 satin, clear	5	Fully recessed 3/8" square flat edge	F	Full view	10	.09" Clear acrylic
		17	10-½" x 24" x 5"	5	Brass, US3 polished, clear	6	Semi-recessed 1-¼" or 1-½" square edge	G	Full view w/ Saf-T-Lok™	13	1/4" Clear wired glass
		18	10-½" x 24" x 5-½"	7	US4 satin brass	7	Semi-recessed 2-½" or 3" rolled edge	D	Horizontal duo	15	1/8" Bronze acrylic
		10	10-½" x 24" x 6"	8	US10B, oil-rubbed bronze			E	Horizontal duo w/ Saf-T-Lok™	16	1/8" Gray acrylic
		20	12" x 27" x 7-¾"					V	Vertical duo	17	1/8" Clear tempered glass
		30	16" x 32" x 7-¾"					W	Vertical duo w/ Saf-T-Lok™	18	1/4" Clear safety glass
							B	Small view window w/ Saf-T-Lok™	21	No glazing, no lock w/ pull (S21 only)	
							S	Solid	22	No glazing, Saf-T-Lok™ w/ pull (L22 only)	
							L	Solid w/ Saf-T-Lok™	24	No glazing, Saf-T-Lok™ and no pull (L24 only)	



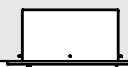
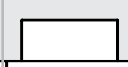
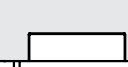
FIRE-RATED		HANDLE/LATCH OPTIONS		ALARM OPTIONS		LETTERING OPTIONS	
FX2	Fire-rated 2 hours	(none)	Standard handle (pull to match)	CA	Commander	SS01	Silkscreen: SS-FELVR FIRE EXTINGUISHER, vertical, red
		A	Recessed handle	BA	Brigadier	SS01D*	Silkscreen: SS-FELVR FIRE EXTINGUISHER, vertical, red, on door
		LH	Lever handle (not avail. with Saf-T-Lok™)	SA	Strobe	SS01G*	Silkscreen: SS-FELVR FIRE EXTINGUISHER, vertical, red, on glazing
		FM	Futura "FIRE" Mill			ET01	Etching: ET-FELVR FIRE EXTINGUISHER, vertical, red (for glass only)
		FR	Futura "FIRE" Red			<b>LETTERING - OTHER (please specify)</b> Refer to supplemental submittal	
		FW	Futura "FIRE" White			Other	

\* DUO style doors (D, E, V, W) must specify location of silkscreen

Refer to supplemental submittals for information on more options and accessories.

**USE SECTION BELOW TO LIST OTHER CABINETS**

QTY	MODEL NUMBER (ex: C1057F10FX2)	NOTES:

TRIM STYLE & PROJECTION		
RECESSED	SEMI RECESSED	
5	6	7
		
3/8" Flat Square	1-¼" or 1-½" Square	3" Rolled