

SUBMITTAL: CLEAR VU™ FIRE EXTINGUISHER CABINETS

Door and Trim Construction: US10 satin bronze, US3 polished brass, clear anodized aluminum, #4 stainless steel or CRS with white powder coat finish. Flush cabinet doors with a 5/8" door stop are attached by a continuous hinge and equipped with zinc-plated handle and roller catch.

Bubble: Acrylic bubble allows 180° extinguisher visibility. 2 1/2" projection for 1500 series, 3 1/2" projection for 2500 and 4500 series.

Trim Style and Depth: Recessed - 3/8" flat trim, Semi-Recessed - 1 1/4", 1 1/2" Square Edge or 2 1/2", 3", Rolled Edge. Surface-mount has a square edge or optional rolled edge for steel or stainless steel upon request. All models have 1-3/4" wide trim on frame and 1-1/4" trim on doors.

Tub: Constructed of cold rolled steel with white powder-coat finish standard. Non-steel surface-mount cabinet tubs constructed of same material as trim.

Fire-Rated Option Available: Yes- See separate submittal.



STEP 1: SELECT MODEL NUMBER, MATERIAL AND QUANTITY ON CHART (refer to chart below)

A. Determine Trim Style according to wall depth.

B. Determine Tub I.D. according to best size for extinguisher and wall opening.

STEP 2: SELECT 1 DOOR STYLE F or G & 1 GLAZING STYLE

<input type="checkbox"/>	F Full Acrylic Glazing
<input type="checkbox"/>	G Full Acrylic Glazing & Saf-t-Lok™
<input type="checkbox"/>	25 Clear Acrylic Bubble
<input type="checkbox"/>	26 Red Acrylic Bubble for 15xx Models Only
<input type="checkbox"/>	27 Bronze Acrylic Bubble

STEP 3: OPTIONAL FEATURES AT ADDED COST (SELECT ANY)

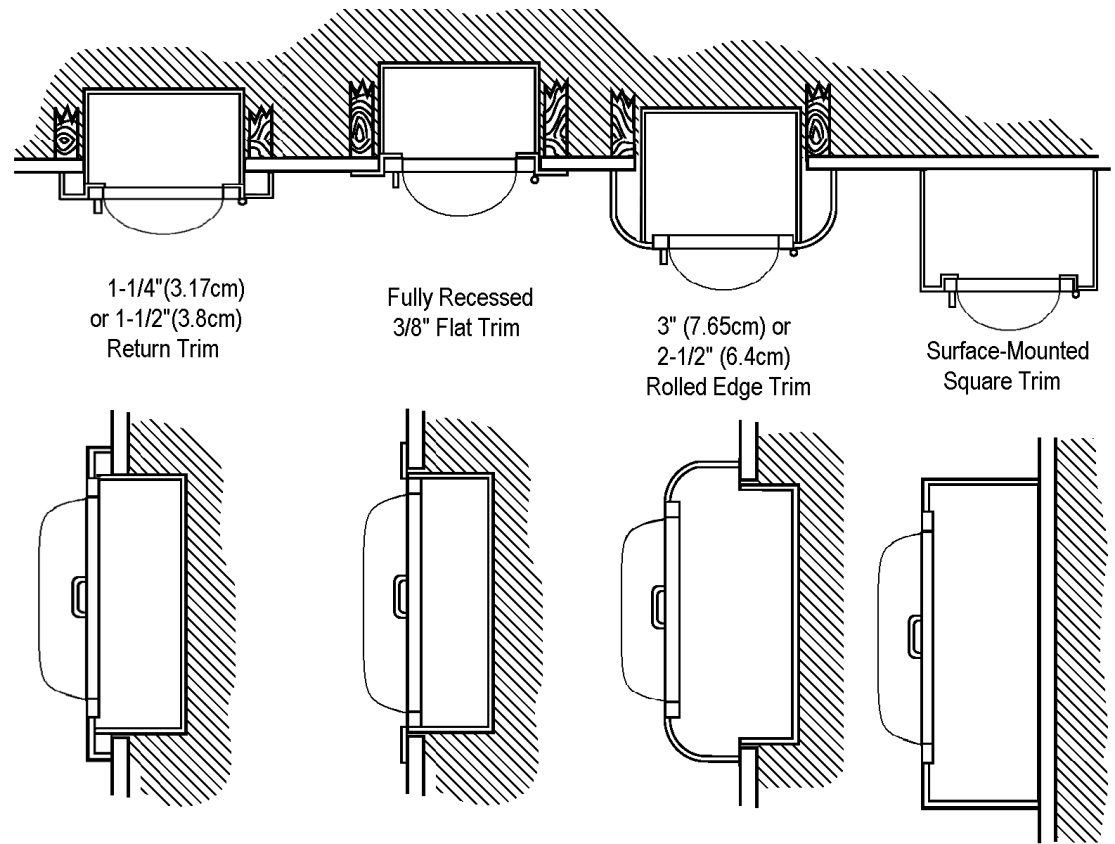
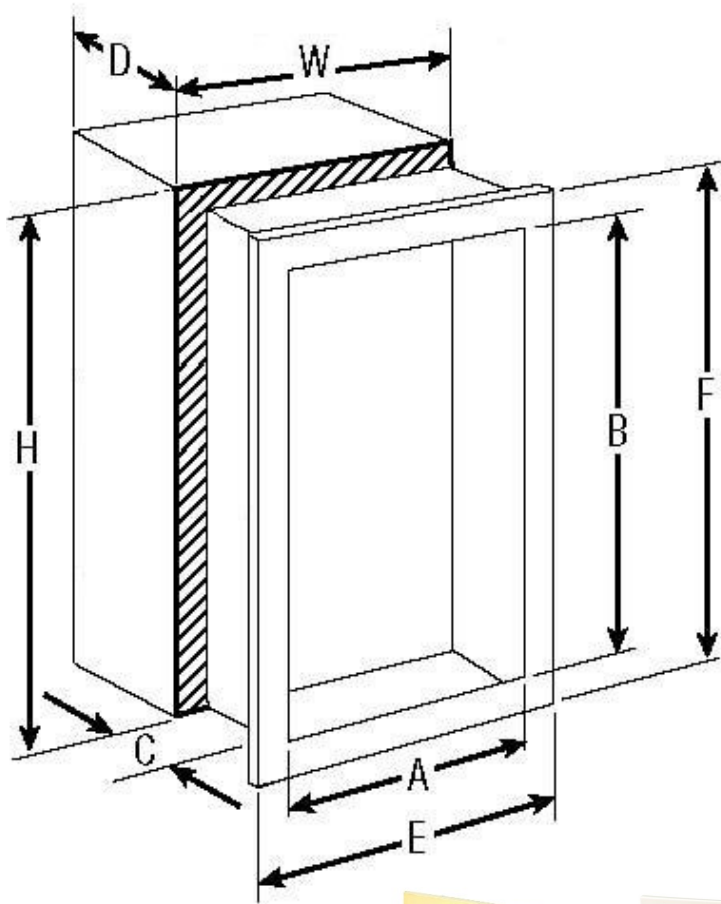
<input type="checkbox"/>	Black Vertical FE Letters LDCVBF	<input type="checkbox"/>	Custom Stainless Finishes # 6, #7, #8
<input type="checkbox"/>	Red Vertical FE Letters LDCVRF	<input type="checkbox"/>	Bronze: ___US9 Bright Polished, ___ US10B Oil-rubbed Finishes
<input type="checkbox"/>	White Vertical FE Letters LDCVWF	<input type="checkbox"/>	Brass: US4 Satin Brass Finish View Bronze & Brass Finishes Online
<input type="checkbox"/>	Futura Embossed "Fire" Handle in ___Mill ___ White ___Red	<input type="checkbox"/>	Dark Bronze Anodized Aluminum Finish (pull to match) Pt # changes from "2" to "9"
<input type="checkbox"/>	Stainless Steel Tub #4 Satin Finish (Stainless Models)	<input type="checkbox"/>	Commander Alarm CA
<input type="checkbox"/>	Aluminum Tub for Aluminum Cabinets with Clear Anodized finish	<input type="checkbox"/>	Optional Color Door/Trim/Tub View Cabinet Colors Online

Door Material and Series						Tub ID			Frame OD		Wall Opening Non Rated			Accommodates Following Extinguishers Mounted on the Tub	
Steel	Aluminum	Stainless Steel	Bronze US10	Brass US3	Trim Style	A	B	C	E	F	W	H	D		
	1515	1525	1535	1545	1555	Flat trim	10 1/2	24	4	13 7/8	27 3/8	11 1/2	25	3 7/8	Cosmic & Galaxy 2.5-10, Mercury 2.5-5, Sentinel 5
	1516	1526	1536	1546	1556	1 1/2" Square	10 1/2	24	4	13 7/8	27 3/8	11 1/2	25	2 5/8	
	1517	1527	1537	1547	1557	3" Rolled	10 1/2	24	4	13 7/8	27 3/8	11 1/2	25	1 1/8	
	1513	1523	1533	1543	1553	Surface Mounted	13 11/16	27 3/16	4 1/2	13 7/8	27 3/8	--	--	--	Cosmic & Galaxy 2.5-10, Cosmic FE20A, Mercury 2.5-15 (FM11A & FM15A), Sentinel 5, Saturn 15 & 25, Grenadier P, Nebula 270 & 272
	2515	2525	2535	2545	2555	Flat trim	14	30	4	17 3/8	33 3/8	15	31	3 7/8	
	2516	2526	2536	2546	2556	1 1/4" Square	14	30	4	17 3/8	33 3/8	15	31	2 7/8	
	2517	*2527	2537	--	--	2 1/2" Rolled *	14	30	4	17 3/8	33 3/8	15	31	*1 5/8	
	2513	2523	2533	2543	2553	Surface Mounted	17 3/16	33 3/16	4 1/2	17 3/8	33 3/8	--	--	--	2 Each of Cosmic & Galaxy 2.5-10, Cosmic FE20A Mercury 2.5-15 (FM11A & FM15A), Sentinel 5, Saturn 15 & 25, Grenadier P, Nebula 270 & 272
	4515	4525	4535	--	--	Flat Trim Double Door	28	30	4	31 3/8	33 3/8	29	31	3 7/8	
	4513	4523	4533	--	--	Surf. Mtd. Double Door	31 3/16	33 3/16	4 1/2	31 3/8	33 3/8	--	--	--	

*Add 5/8" to wall depth for a cabinet with an aluminum frame.

Models indicated in blue meet ADA 4" projection standards.

	Distributor:	Quantity:
	Contractor:	Approved By:
	Model #:	Architect:
	Project:	Date:
© 2023 Activar Construction Products Inc		
HEADQUARTERS: 9702 NEWTON AV S, BLOOMINGTON, MN 55431 PH: 800-554-6077 EMAIL: SALES@ACTIVARCPG.COM WWW.ACTIVARCPG.COM MANUFACTURING: BLOOMINGTON MN & COMMERCE, CA • WAREHOUSES: MANY LOCATIONS NATIONWIDE 4/14/2023		



1555F27



2515F25



2527G25



1513F25



1536F25



1545G26