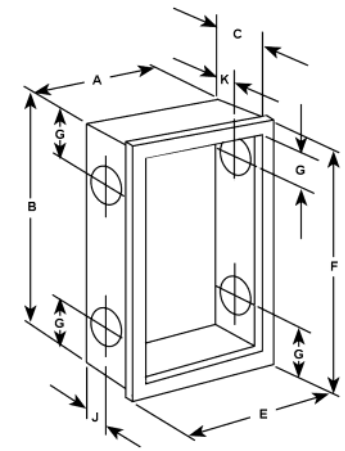


INSTALLATION INSTRUCTIONS: VALVE & HOSE CABINETS

Recessed Cabinets - Knockouts are Provided on Recessed Cabinets

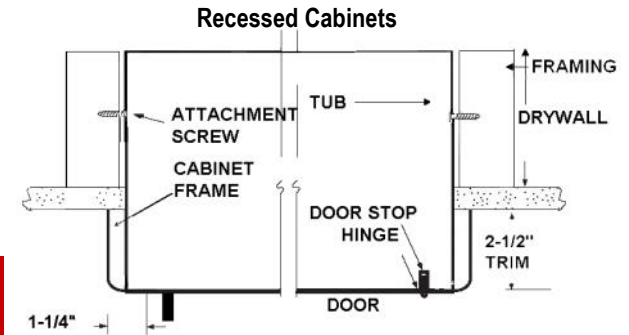
METAL OR WOOD FRAMING:

1. Remove all hardware and glazing, unlock cabinet if lock provided.
2. Install a framed opening above, below and at both sides of cabinet opening at specified location. Wall opening width, height and depth must correspond with dimensions indicated in catalog or detail and submittal sheet.
3. Use holes provided in cabinet tub for attaching to studding. If wall configuration does not allow for that, then follow step 4 below; otherwise, skip to step 5.
4. [Drilling Additional Holes in Tub] Drill (2) 1/8" (3.2 mm) holes through tub on each side of cabinet.
5. Select knockout location that supply pipe will enter the cabinet through. Remove knockout tab at that location and install collar. Mark location on wall and studs.
6. Plumb to the cabinet.
7. Place cabinet in position and attach with Universal # 10 x 2-1/2" (6.4 cm) self-drilling screws. Be sure not to over-tighten on either side, which could pull the cabinet out of position in the opening and result in an exposed gap between the cabinet frame and wall opening.
8. Start the screw without completely tightening; then start a screw on the opposite side of the tub. Once all screws are started, tighten each screw in a "criss-cross" pattern. A torque setting of 4-6 is recommended if using a screw gun.
9. Once screws are fully tightened, check cabinet for square and plumb. Adjust if necessary. All interior sides should be straight with no bowing or warping.
10. Check cabinet door assembly for freedom of movement. If it binds, shim as necessary to remove any racking of tub at attachments of stud. Cabinet will need to be removed temporarily in order to add shims.
11. Remove protective plastic from acrylic or glass and install decal if intended for glass. Align glazing on inside of door, holding in place while installing glass mounting clips on inside of door. Do not over-tighten.
12. Install handle and roller catch or SAF-T-LOK™ in door.

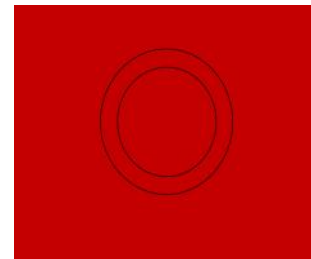
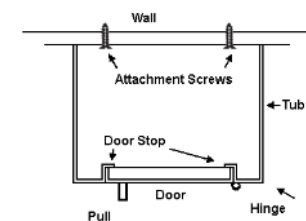


Surface-Mount Cabinets - No Knockouts Provided

1. Cabinet is provided with 4 mounting holes in the back wall of the tub. Provide metal or wood studding in the wall at those locations.
2. Use holes provided in cabinet tub for attaching to studding.
3. Mark location on tub where knockout is to be installed. Use hole saw to remove cutout and install collar.
4. Follow steps 6-12 above.



Surface-Mount Cabinets



Knockouts are Provided in 2 Sizes—
1.9" and 2.9"

Hose cabinet knockouts provided on recessed and semi-recessed models:

See submittal for the location of K.O.'s on specific models.

Knockouts not provided on surface-mount, stainless tubs or FX fire-rated cabinets.

See separate instructions for creating knockouts in the field for FX.



ACTIVAR INC.
CONSTRUCTION PRODUCTS GROUP

INSTALLATION INSTRUCTIONS: VALVE & HOSE CABINETS NON FIRE-RATED

HEADQUARTERS: 9702 NEWTON AV S, BLOOMINGTON, MN 55431 PH: 800-554-6077 FAX: 952-835-2218 EMAIL: SALES@ACTIVARCPG.COM WWW.ACTIVARCPG.COM
MANUFACTURING: COMMERCE, CA & BLOOMINGTON MN • WAREHOUSES: LANCASTER PA, ATLANTA GA, CHICAGO IL, SEATTLE WA, DALLAS TX, OMAHA NE, FARGO ND, FT MYERS FL 12/21/2018