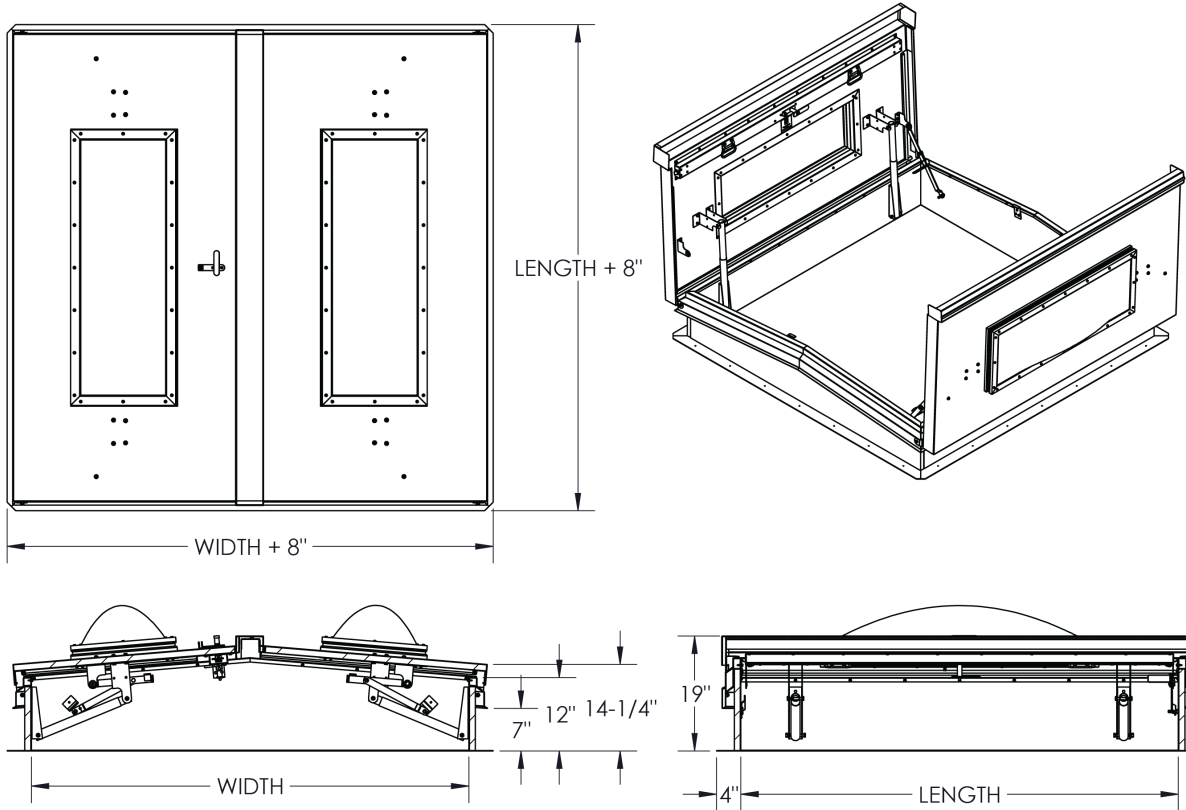



ROOF ACCESSORIES—DURA-HATCH™ DOMED EQUIPMENT SERIES—REHV

Dur-Red's double leaf domed equipment hatches are ideal for equipment installation and servicing from the roof. Now, with R6 polyisocyanurate insulation and durable factory finish powder coat.

SPECIFICATIONS:

- Material:** Steel- 14 gauge galvalume steel curb and cover with 22 gauge galvalume steel cover liner. Aluminum—11 gauge aluminum curb and cover with 18 gauge aluminum cover liner.
- Finish:** Powder coat gray texture on steel, powder coat silver texture on aluminum
- Domes:** Clear over white acrylic domes
- Gasketing:** Bulb neoprene door seal
- Insulation:** 1" polyisocyanurate (R-6) on curb and in cover
- Hinges:** Heavy-duty galvalume steel or aluminum hinge with bolt pin
- Hold-Open Arm:** Clear zinc-plated steel hold-open arm with red plastic coating.
- Latches:** Two point universal spring latches on each cover with exterior and interior handles
- Spring:** Pressure intensifiers with compression springs provide lift assistance
- Sizes:** Minimum: 72" x 72" Maximum: 72" x 96"
- Clear Opening:** Minus 8" on width and minus 8" on length



 <p>DUR-RED PRODUCTS 9702 Newton Av S, Bloomington, MN 55431</p>	<p>800-554-6077 sales@activarcp.com www.activarcp.com</p>	<p>Distributor: Contractor: Date: Scale: N/A</p>	<p>Project: Approved By: Architect: Item #</p>	
	<p>MANY LOCATIONS NATIONWIDE</p>		<p> Pages: 1 of 2</p>	
	<p>THE INFORMATION CONTAINED IN THIS DRAWING IS THE SOLE PROPERTY OF ACTIVAR CONSTRUCTION PRODUCTS GROUP, INC. ANY REPRODUCTION IN PART OR AS A WHOLE WITHOUT THE WRITTEN PERMISSION OF ACTIVAR CONSTRUCTION PRODUCTS GROUP, INC IS PROHIBITED</p>			
	<p>@2023 Activar Construction Products Group, Inc.</p>		<p>REV D 6/23/2023</p>	

COMMON SIZES—REHV

QTY	MODEL	PRIOR JL MODEL	MATERIAL	CURB OPENING	CLEAR OPENING
	REHVA-7272ST	DEHA-7272	Aluminum	72" x 72"	64" x 64"
	REHVA-7296ST	DEHA-7296 (DEHA-1)	Aluminum	72" x 96"	64" x 88"
	REHVG-7272GT	DEHG-7272	Steel	72" x 72"	64" x 64"
	REHVGA-7272ST	DEHGA-7272	Steel Curb & Aluminum Cover	72" x 72"	64" x 64"
	REHVGA-7296ST	DEHGA-7296 (DEHGA-1)	Steel Curb & Aluminum Cover	72" x 96"	64" x 88"

MADE-TO-ORDER REHV: EXAMPLE—REHVGA-7474G-VPCW

<p>REHV</p> <table border="0"> <tr> <td style="border: 1px solid black; width: 20px; height: 20px;"></td> <td>G Galvanneal</td> </tr> <tr> <td style="border: 1px solid black; width: 20px; height: 20px;"></td> <td>A Aluminum</td> </tr> <tr> <td style="border: 1px solid black; width: 20px; height: 20px;"></td> <td>GA Steel Curb, Aluminum Cover</td> </tr> </table>		G Galvanneal		A Aluminum		GA Steel Curb, Aluminum Cover	<p>MATERIAL</p>	<p>WIDTH LENGTH</p> <table border="0"> <tr> <td style="border: 1px solid black; width: 40px; height: 20px;"></td> <td style="border: 1px solid black; width: 40px; height: 20px;"></td> <td style="border: 1px solid black; width: 20px; height: 20px;"></td> </tr> </table>				<p>FINISH</p> <table border="0"> <tr> <td style="border: 1px solid black; width: 20px; height: 20px;"></td> <td>GT Powder Coat Gray Texture (Std for REHVG)</td> </tr> <tr> <td style="border: 1px solid black; width: 20px; height: 20px;"></td> <td>ST Powder Coat Silver Texture (Std for REHVA, REHVGA)</td> </tr> </table>		GT Powder Coat Gray Texture (Std for REHVG)		ST Powder Coat Silver Texture (Std for REHVA, REHVGA)	<p>OPTIONS</p> <table border="0"> <tr> <td style="border: 1px solid black; width: 20px; height: 20px;"></td> <td>CD Double Wall Curb</td> </tr> <tr> <td style="border: 1px solid black; width: 20px; height: 20px;"></td> <td>CM Curb Mount</td> </tr> <tr> <td style="border: 1px solid black; width: 20px; height: 20px;"></td> <td>H18 18" High Curb</td> </tr> <tr> <td style="border: 1px solid black; width: 20px; height: 20px;"></td> <td>IS 1" Fiberboard Insulated Curb</td> </tr> <tr> <td style="border: 1px solid black; width: 20px; height: 20px;"></td> <td>IT 2" Polyiso Insulated Curb</td> </tr> <tr> <td style="border: 1px solid black; width: 20px; height: 20px;"></td> <td>IW 1" x 6" Wood Nailer Top/Polyiso Bottom of Curb</td> </tr> <tr> <td style="border: 1px solid black; width: 20px; height: 20px;"></td> <td>SS Stainless Hardware</td> </tr> <tr> <td style="border: 1px solid black; width: 20px; height: 20px;"></td> <td>VPCW Double Polycarbonate Clear over White Dome</td> </tr> <tr> <td style="border: 1px solid black; width: 20px; height: 20px;"></td> <td>VAW Acrylic Single Dome White</td> </tr> <tr> <td style="border: 1px solid black; width: 20px; height: 20px;"></td> <td>VPW Polycarbonate Single White</td> </tr> </table>		CD Double Wall Curb		CM Curb Mount		H18 18" High Curb		IS 1" Fiberboard Insulated Curb		IT 2" Polyiso Insulated Curb		IW 1" x 6" Wood Nailer Top/Polyiso Bottom of Curb		SS Stainless Hardware		VPCW Double Polycarbonate Clear over White Dome		VAW Acrylic Single Dome White		VPW Polycarbonate Single White
	G Galvanneal																																				
	A Aluminum																																				
	GA Steel Curb, Aluminum Cover																																				
	GT Powder Coat Gray Texture (Std for REHVG)																																				
	ST Powder Coat Silver Texture (Std for REHVA, REHVGA)																																				
	CD Double Wall Curb																																				
	CM Curb Mount																																				
	H18 18" High Curb																																				
	IS 1" Fiberboard Insulated Curb																																				
	IT 2" Polyiso Insulated Curb																																				
	IW 1" x 6" Wood Nailer Top/Polyiso Bottom of Curb																																				
	SS Stainless Hardware																																				
	VPCW Double Polycarbonate Clear over White Dome																																				
	VAW Acrylic Single Dome White																																				
	VPW Polycarbonate Single White																																				

It is the responsibility of the customer to communicate specifications and product performance requirements that are needed for their application. This document is intended to convey potential product configurations and offerings. It is not to be used to imply or represent a specification or rating, of finished products shipped. Detailed, specific submittals can be created upon request. It is the responsibility of the customer to specify product accordingly to comply with local laws, codes, and ordinances.