

DURA-HATCH VIEW SERIES™ DOMED ROOF HATCHES - RHUV

The Dur-Red domed roof hatch provides single-handed opening and closing for safe and easy access to rooftops from either ladders or stairs. Polyisocyanurate insulation in the cover and on the curb give you an energy-saving upgrade from our previous model. Galvanneal construction with a durable factory powder coat finish does not need to be painted in the field.

Material: Steel- 14 gauge galvanneal curb and cover with 22 gauge galvanneal liner. Aluminum—11 gauge aluminum curb and cover with 18 gauge aluminum liner.

Finish: Powder coat gray texture on steel, powder coat silver texture on aluminum

Gasket: Weatherproof EPDM sponge rubber adhesive-backed seal

Domes: Clear over white polycarbonate

Insulation: 1" polyisocyanurate in curb and in cover

Hinges: Heavy-duty galvanneal steel or aluminum hinge with bolt pin

Hold-Open Arm: Clear zinc-plated steel hold-open arm

Latch: Zinc-plated steel single point slam latch

Springs: Pressure intensifiers with compression spring provide lift assistance

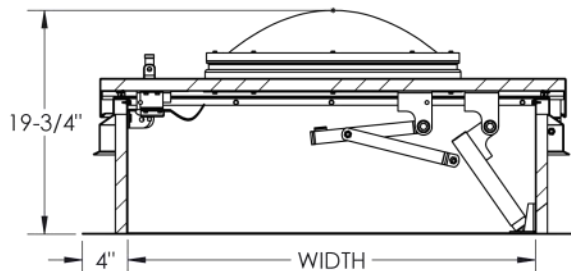
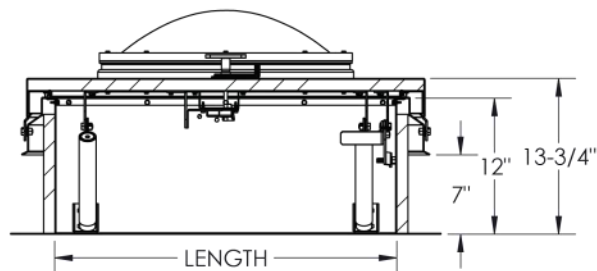
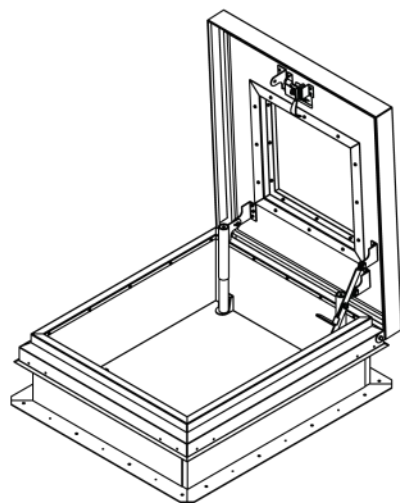
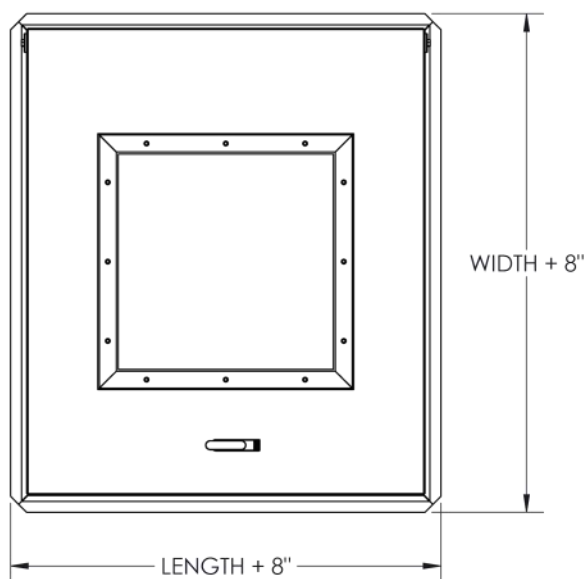
Sizes: Minimum 30" x 30", Maximum: 36" x 60" or 48" x 48". (W x L where L is the hinged side)

Order Size = Curb Opening


ACCESSORIES SOLD SEPARATELY:

___ Safety Post, Safety Yellow (LP-4)

___ Bolt-On Safety Railing (RSHWB)



It is the responsibility of the customer to communicate specifications and product performance requirements that are needed for their application. This document is intended to convey potential product configurations and offerings. It is not to be used to imply or represent a specification or rating, of finished products shipped. Detailed, specific submittals can be created upon request. It is the responsibility of the customer to specify product accordingly to comply with local laws, codes, and ordinances.

 <p>DUR-RED PRODUCTS 9702 Newton Av S, Bloomington MN 55431 Many Locations Nationwide</p>	<p>800-554-6077 sales@activarcpg.com www.activarcpg.com</p>	<p>Distributor:</p>	<p>Project:</p>
		<p>Contractor:</p>	<p>Approved By:</p>
		<p>Date:</p>	<p>Architect:</p>
		<p>Scale: N/A Pages: 1 of 2</p>	<p>Item #</p>

