

SUBMITTAL: EMBASSY FIRE-FX2™ FIRE EXTINGUISHER CABINETS

The Embassy Series is a Decorative, Trimless, Recessed Cabinet Suitable for the Most Upscale Application in our Finest Finishes of Brass, Bronze, Stainless Steel, Aluminum or Painted Steel. All Models Comply with ADA Projection Requirements.

Door & Trim Construction: The 7/8" thick formed cabinet doors are available in #4 satin stainless steel, US10 satin bronze, US3 polished brass, clear anodized aluminum or powder-coated white steel. Doors feature two concealed hinges at top & bottom of door, and roller catch. "V" and "S21" doors can be opened from the bottom of the cabinet the concealed ABS cup handle in the door. W "or "L22" door styles have a zinc-plated pull for steel, stainless & aluminum cabinets, or pull of matching material for brass or bronze finishes installed approximately 3/4" above lock which is centered top to bottom on the door (no concealed pull). L24 doors have no pull, and are opened by key only.

Tub: The tub is constructed of cold rolled steel with white powder-coat finish standard. Tub forms a 1.56" wide flange to cover cut edges of wallboard. Fire-resistant material is attached to the exterior of the tub.

Knockouts: Knockouts are not provided on Fire-Rated Cabinets. Instructions for Knockouts in the field are provided upon request and must be strictly adhered to, in order to maintain fire rating. 5900 available without shelf to allow for lower mounting height of piping to meet NFPA10 and ADA.

STEP 1: SELECT MODEL NUMBER AND QUANTITY ON CHART (refer to chart on page 2)
Determine Tub I.D. according to size most suited for extinguisher and wall opening.

STEP 2: SELECT DOOR STYLE (Check one box below)

- | | | |
|---|---|---|
| <input type="checkbox"/> V Vertical Duo with Concealed Pull in Door | <input type="checkbox"/> S21 Solid with Concealed Pull in Door | <input type="checkbox"/> L24 Solid Door with Cam Lock & No Pull |
| <input type="checkbox"/> W Vertical Duo with SAF-T-LOK™ & Pull Handle | <input type="checkbox"/> L22 Solid with SAF-T-LOK & Pull Handle | |



5614W10 FX2 Steel with Pull Handle and Saf-T-Lok



5654V10FX2 Brass With Concealed Pull

STEP 3: SELECT DOOR GLAZING (Check one box below)

- | | |
|---|--|
| <input type="checkbox"/> 10 Clear Acrylic | <input type="checkbox"/> 16 Gray Acrylic |
| <input type="checkbox"/> 13 Clear Wire Glass with Safety Film | <input type="checkbox"/> 17 Clear Tempered Glass |
| <input type="checkbox"/> 15 Bronze Acrylic | <input type="checkbox"/> 18 Laminated Safety Glass |

Fire Rating: Fire-FX2™ cabinets are UL listed and labeled as an approved membrane penetration firestop system for up to 2 hours in accordance with UL 1479 (ASTM-E814) and CAN/ULC-S115, when properly installed in a wall assembly according to installation instructions.

STEP 4: OPTIONAL FEATURES AT ADDED COST (SELECT ANY)

Door Finish Options - (Specialty Finishes Have Pulls to match)

- Dark Bronze Anodized Aluminum Door:
- Optional Color— Painted Steel Door; ___ code
- ___ #6 ___ #7 ___ #8 Stainless Steel Door
- US9 Polished Bronze Door - Clear-coated
- US4 Satin Brass Door - Clear-coated
- Stainless Steel Tub #4 finish

View Bronze & Brass Finishes Online

Lettering Options

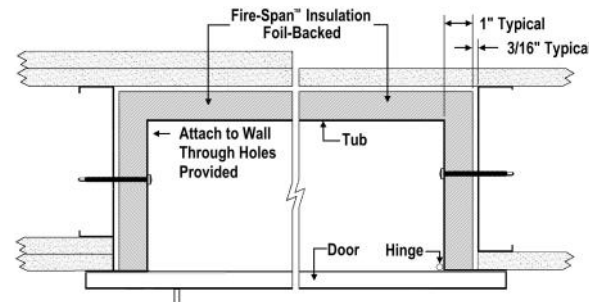
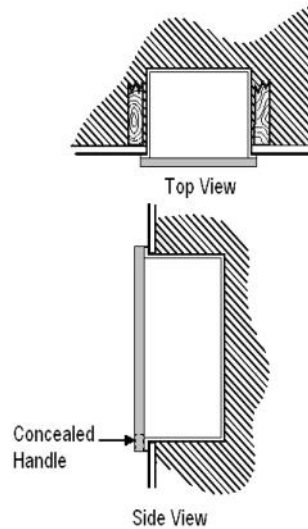
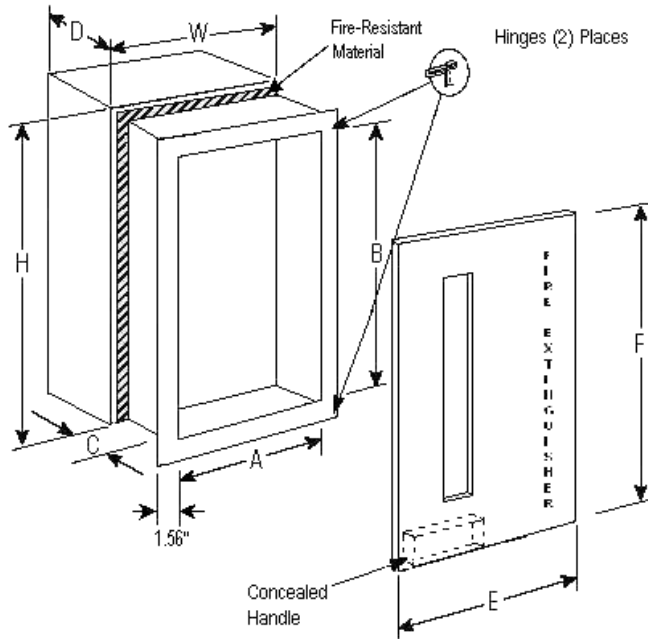
- Black Vertical "Fire Extinguisher" Diecut Letters LDCVBFE
- Red Vertical "Fire Extinguisher" Diecut Letters LDCVRFE
- White Vertical "Fire Extinguisher" Diecut Letters LDCVWFE
- Black Horizontal "Fire Extinguisher" Diecut Letters LDCHBFE
- Red Horizontal "Fire Extinguisher" Diecut Letters LDCHRFE
- White Horizontal "Fire Extinguisher" Diecut Letters LDCHWFE

Other Options

- Optional Color Tub ___ Red ___ Black ___ Other Optional Colors
 - Futura "Fire" Handle ___ Red ___ Mill ___ White
 - Flush Pull in Center of Door (PRH)
 - (CA) Commander Alarm
 - (BA) Brigadier Alarm
 - Lettering: Etched Glass, Silkscreen, Engraved Door (except Dk Anodized, Bronze or Brass)
- Complete & Attach Separate Submittal for Etching or Engraving

It is the responsibility of the customer to communicate specifications and product performance requirements that are needed for their application. This document is intended to convey potential product configurations and offerings. It is not to be used to imply or represent a specification or rating, of finished products shipped. Detailed, specific submittals can be created upon request. It is the responsibility of the customer to specify product accordingly to comply with local laws, codes, and ordinances.

<p>JL INDUSTRIES</p> <p>7972 Newton Av S. Bloomington, MN 55431 Many Locations Nationwide</p>	800-554-6077	Distributor:		Project:
	sales@activarcpg.com	Contractor:		Approved By:
	www.activarcpg.com	Date:	Quantity:	Architect:
		Scale: N/A	Pages: 1 of 2	Item #



Fire-Resistant Liner Shown Above

FOR APPLICABLE RESTRICTIONS, SEE THE FIRE-FX2™ INSTALLATION INSTRUCTIONS PROVIDED WITH THE PRODUCT

INSTALLATION INSTRUCTIONS FOR KNOCK-OUTS CAN BE FOUND ON OUR WEBSITE AT:



5734S21FX2
Stainless Steel

TRIM & DOOR MATERIAL & SERIES												TUB I.D.			DOOR O.D.		FX Wall Opening			RECOMMENDED HOSE, RACK & EXTINGUISHER
QTY	STEEL	QTY	ALUMI-NUM	QTY	STAIN-LESS	QTY	US10 BRONZE	QTY	US10B BRONZE	QTY	US 3 BRASS	A	B	C	E	F	W	H	D	
FIRE EXTINGUISHER CABINETS																				
	5614FX2		5624FX2		5634FX2		5644FX2		5684FX2		5654FX2	10-1/2"	24"	5-3/4"	13-3/4"	27-1/4"	12-13/16	26 5/16	6 15/16	Cosmic & Galaxy 2.5-10E, Sentinel 5, Mercury 2.5-5
	5714FX2		5724FX2		5734FX2		5744FX2		5784FX2		5754FX2	16"	32"	7-3/4"	19-1/4"	35-1/4"	18 5/16	34 5/16	8 15/16	Any **Cosmic, **Galaxy, Mercury, Nebula Saturn or Grenadier P, Sentinel 5-15,
FIRE DEPARTMENT VALVE, HOSE & EXTINGUISHER CABINETS																				
	5514FX2		5524FX2		5534FX2		5544FX2		5584FX2		5554FX2	18"	18"	7-3/4"	21-1/4"	21-1/4"	20 5/16	20 5/16	8 15/16	1-1/2" or 2-1/2" Fire Department Valve
	5814FX2		5824FX2		5834FX2	---	---	---	---		---	32	32	7-3/4"	35-1/4"	35-1/4"	34 5/16	34 5/16	8 15/16	1-1/2" or 2-1/2" Rack Unit and 2-1/2" Fire Department Valve or Extinguisher.
	5914FX2		5924FX2		5934FX2		5944FX2		5984FX2		5954FX2	16"	40"	8-3/4"	19-1/4"	43-1/4"	18 5/16	42 5/16	9 15/16	2-1/2" FD Valve & Fire Extinguisher. Any Cosmic, Galaxy, Mercury, Saturn or Grenadier P, Sentinel 5 & 10, Nebula 270. Shelf located 12" Above Bottom. Available W/O shelf to allow for lower mounting height of valves.

ADA Cabinet Mounting Height: Standard pull on W or L22 door styles with Saf-T-Lok are 3 5/8" higher than door center, so allow for that when mounting cabinet. Standard pull with no lock are centered on Door.

**Cosmic & Galaxy 20 must be mounted on the back of the cabinet tub.