

# SUBMITTAL: EXTERIOR ACCESS PANEL XPEA™ AND XPES™ SERIES, PLASTER PAGE 1 of 2

## STEP 1 SELECT MODEL:

### \_\_ Model XPEA - R value 5.7

Frame: 16 ga. Galvanneal steel with plaster flange recessed 3/4"; 2-3/4" wide galvanized expanded metal lath.

Door: 2" Thick with fiberglass insulation, .040 aluminum door with continuous stainless steel hinge.

Gaskets: Adhesive-backed EPDM foam and silicone rubber seals on frame and door.

Finish: White powder coat paint.

Handle: (H2) Non-locking, plastic with chrome finish.

### \_\_ Model XPES Stainless Steel - R value 5.7

Frame: 16 ga. Stainless steel with plaster flange recessed 3/4"; 2-3/4" wide galvanized expanded metal lath.

Door: 2" Thick with fiberglass insulation, 20 ga. stainless steel with continuous stainless steel hinge.

Finish: 304 Stainless - No. 4 finish

Gasket: Adhesive-backed EPDM foam and silicone rubber seals on frame and door.

Handles: (H2) Non-locking, plastic with chrome finish.



XPEA



XPES

Order Format Example: XPEA-1212H2W

XPEA - \_\_\_\_ - \_\_\_\_ - \_\_\_\_ - \_\_\_\_  
 XPES Width Height Lock (H2 std) Color (XPA)  
 H3 or H4

## STEP 2 SELECT SIZE FROM TABLE BELOW OR ENTER OTHER SIZE:

Sizes: ORDER SIZE IS FRAME ID. Minimum 8" x 8", maximum size 48" x 48"

\_\_ Other Size \_\_ W x \_\_ H

## STEP 3 SELECT OPTIONAL FEATURES AT ADDITIONAL COST:

\_\_ (H3) Locking, plastic with chrome finish.

\_\_ (H4) Removable flush locking handle

\_\_ Optional color code- see colors below

W (White)	B (Bronze)	R (Red)	BK (Black)	S (Sand)	AB (AMS Beige)	SB (SC Beige)	G (Gray)	SI (Silver)
-----------	------------	---------	------------	----------	----------------	---------------	----------	-------------

QTY	Size (A) Frame ID Width x Height	Wall Opening	Handles	Approx Ship Weight in lbs.	QTY	Size (A)	Wall Opening (C) Width x Height	Handles	Approx Ship Weight in lbs.
	12" x 12"	12-3/8" x 12-3/8"	1	11		24" x 30"	24-3/8" x 30-3/8"	2	40
	14" x 14"	14-3/8" x 14-3/8"	1	15		24" x 36"	24-3/8" x 36-3/8"	2	42
	18" x 18"	18-3/8" x 18-3/8"	1	19		24" x 48"	24-3/8" x 48-3/8"	2	57
	20" x 24"	20-3/8" x 24-3/8"	1	30		30" x 30"	30-3/8" x 30-3/8"	2	44
	20" x 30"	20-3/8" x 30-3/8"	2	32		30" x 36"	30-3/8" x 36-3/8"	2	56
	22" x 30"	22-3/8" x 30-3/8"	2	34		36" x 36"	36-3/8" x 36-3/8"	2	61
	22" x 36"	22-3/8" x 36-3/8"	2	40		36" x 48"	36-3/8" x 48-3/8"	2	75
	24" x 24"	24-3/8" x 24-3/8"	1	27		48" x 48"	48-3/8" x 48-3/8"	2	108



800-554-6077 sales@activarcpg.com www.activarcpg.com

Headquarters: 9702 Newton Ave S. Bloomington, MN 55431  
 Manufacturing: Minnesota & California  
 Warehouses: See website for locations

DOWNLOAD CURRENT SUBMITTAL BEFORE ORDERING

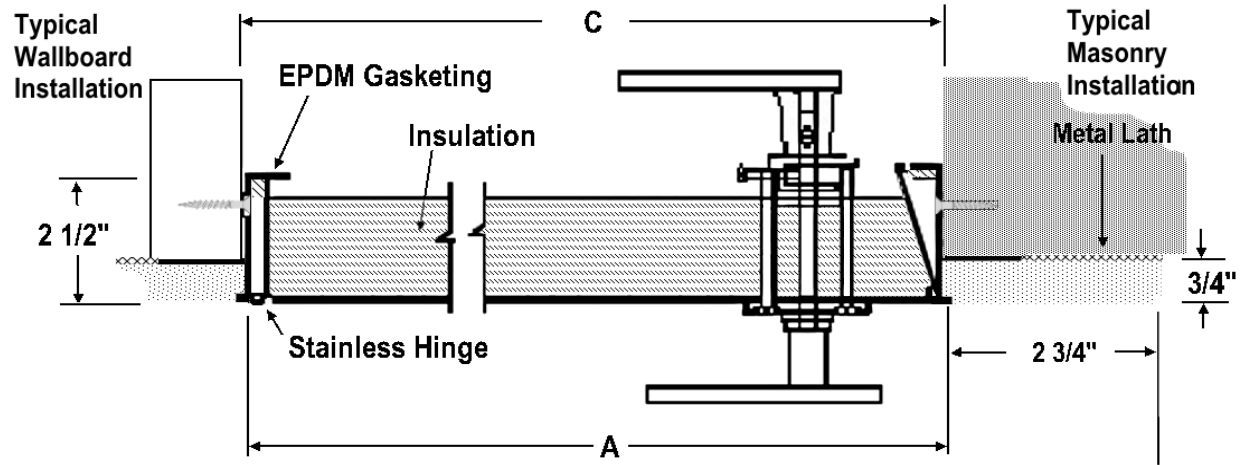
Distributor:	Quantity:
Contractor:	Approved By:
Model #:	Architect:
Project:	Date:

© 2020 Activar Construction Products Group, Inc. | The XPEA and XPES™ Series are trademarks of ACPG.

10/22/2020



**Example of XPEA Installed in Stucco Wall**



**LATCH AND LOCK OPTIONS**



**H2 Non-Locking Handle (Standard)**



**H3 Locking Handle**



**(H4) Removable Flush Locking Handle**



**Inside Latch for (H4) Removable Flush Locking Handle**