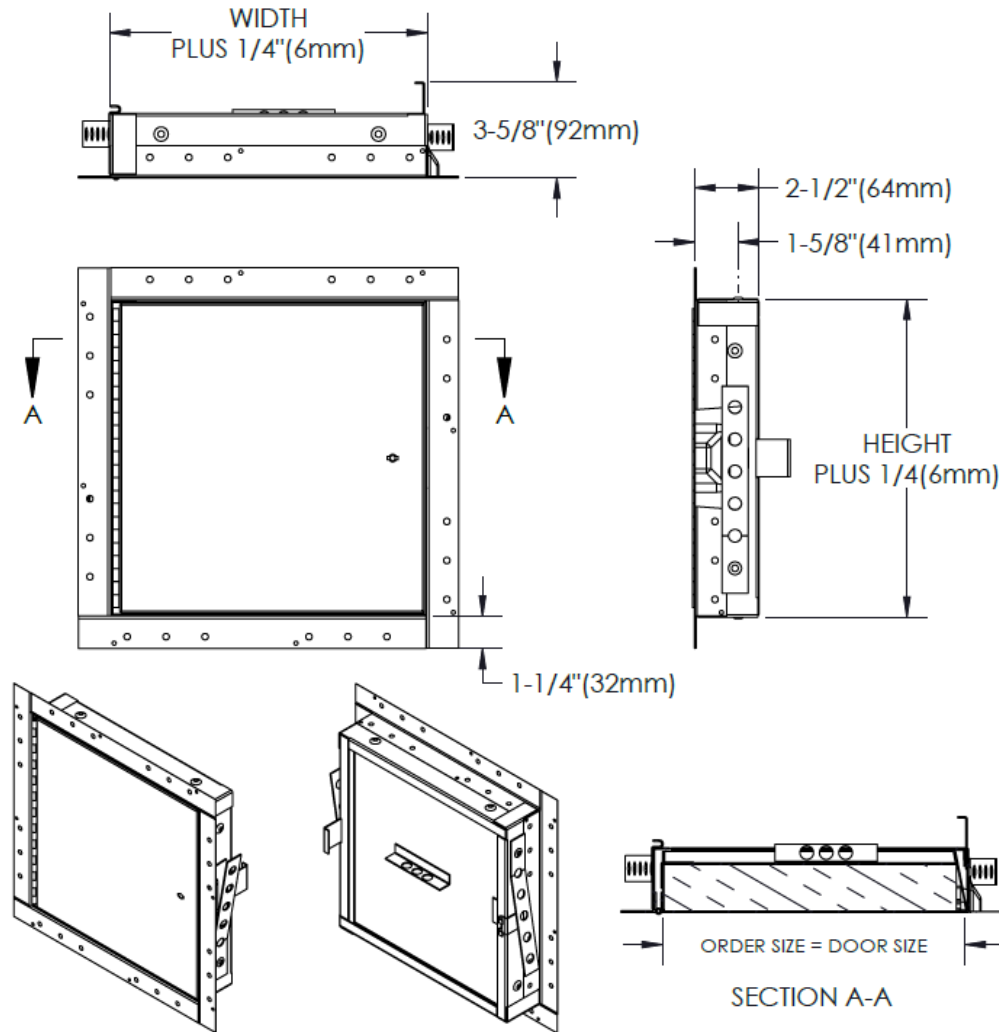


## FIRE-RATED ACCESS PANELS— FDW™ SERIES, INSULATED, WITH DRYWALL BEAD FLANGE

JL Industries' innovative line of fire-rated access panels with a drywall bead provide a seamless look for your panel.



### SPECIFICATIONS:

**Frame Material:** 16 gauge cold rolled steel

**Flange:** 1" drywall bead that can be taped for a smooth appearance

**Door Material:** 20 gauge cold rolled steel

**Finish:** White powder coat.

**Insulation:** 2" mineral wool.

**Hinge:** Continuous hinge

**Closer:** Panel automatically closes and latches from an open position of 90° as required by NFPA 80. Additional springs provided for ceiling & large sizes.

**Latch:** (U) Universal lock with ring and key standard

**Minimum Size:** Minimum 8" x 8"

**Maximum Wall Size:** 48" x 48"

**Maximum Ceiling Size:** 24" x 36"

### FIRE-RATING:

#### UL Listed and Labeled

Wall Installation - 1-1/2 hour UL "B" label in a 2 hour fire barrier, tested per AN-SI/UL10B

#### Intertek Warnock Hersey Listed and Labeled

Wall Installation— Tested per ANSI/UL10B, Temp rise 30 min at 450 degree max

Ceiling Installation—3 hour non-combustible rating or 1 hour combustable rating. Tested per UBC 43-7.

### NOTES:

**Order size:** W x H = Door size

**Clear Opening:** 1-1/4" smaller than order size


Installation conditions may vary. Please consult your local Authority Having Jurisdiction (AHJ) for applicable standards.

### OPTIONS:

**Optional Material:** 304 Stainless steel with #4 finish.

**Optional Latches:** Knurled knob, mortise prep, mortise lock installed.

**Additional Options:** Colors, 14, 16 or 18 gauge construction.

 <b>JL INDUSTRIES</b> 9702 Newton Av S. Bloomington, MN 55431   Many Locations Nationwide	800-554-6077 sales@activarcpg.com www.activarcpg.com	Distributor:	Project:
		Contractor:	Approved By:
	Date:	Quantity:	Architect:
	Scale: N/A	Pages: 1 of 2	Item #
© 2023 Activar Construction Products Group, Inc.		THE INFORMATION CONTAINED IN THIS DOCUMENT IS THE SOLE PROPERTY OF ACTIVAR CONSTRUCTION PRODUCTS GROUP, INC. ANY REPRODUCTION IN PART OF AS A WHOLE WITHOUT THE WRITTEN PERMISSION OF ACTIVAR CONSTRUCTION PRODUCTS GROUP, INC. IS PROHIBITED.	
		REV D – OCT 19, 2023	

QTY	A			C		D		Approximate Shipping Weight In Pounds	Latch (es)
	Model Size is Door Size Width x Height Cold-Rolled Steel Models			Opening Size 1½ Hour UL B-Rated Wall, 1 Hour Combustible Ceiling, 2-3 Hour Non-Combustible Ceiling		Opening Size 2-3 Hour Non-Combustible Ceiling Rating (Allowance for Fire-Rated Liner of Opening)			
	Model	Inches	mm	Width Inches	Height Inches	Width Inches	Height Inches		
<b>Wall or Ceiling Sizes</b>									
	9FDW-0808UW	8 x 8	203 x 203	8 3/8	8 3/8	9 5/8	9 5/8	6	1
	9FDW-1010UW	10 x 10	254 x 254	10 3/8	10 3/8	11 5/8	11 5/8	8	1
	9FDW-1212UW	12 x 12	305 x 305	12 3/8	12 3/8	13 5/8	13 5/8	10	1
	9FDW-1414UW	14 x 14	356 x 356	14 3/8	14 3/8	15 5/8	15 5/8	12	1
	9FDW-1616UW	16 x 16	406 x 406	16 3/8	16 3/8	17 5/8	17 5/8	15	1
	9FDW-1818UW	18 x 18	457 x 457	18 3/8	18 3/8	19 5/8	19 5/8	17	1
	9FDW-2020UW	20 x 20	508 x 508	20 3/8	20 3/8	21 5/8	21 5/8	21	1
	9FDW-2030UW	20 x 30	508 x 762	20 3/8	30 3/8	21 5/8	31 5/8	28	2
	9FDW-2222UW	22 x 22	559 x 559	22 3/8	22 3/8	23 5/8	23 5/8	26	1
	9FDW-2230UW	22 x 30	559 x 762	22 3/8	30 3/8	23 5/8	31 5/8	29	2
	9FDW-2236UW	22 x 36	559 x 914	22 3/8	36 3/8	23 5/8	37 5/8	36	2
	9FDW-2424UW	24 x 24	610 x 610	24 3/8	24 3/8	25 5/8	25 5/8	27	1
	9FDW-2436UW	24 x 36	610 x 914	24 3/8	36 3/8	25 5/8	37 5/8	37	2
<b>Wall Sizes Only Below</b>									
	9FDW-2448UW	24 x 48	610 x 1219	24 3/8	48 3/8	-	-	54	2
	9FDW-3030UW	30 x 30	762 x 762	30 3/8	30 3/8	-	-	38	2
	9FDW-3232UW	32 x 32	813 x 813	32 3/8	32 3/8	-	-	43	2
	9FDW-3636UW	36 x 36	914 x 914	36 3/8	36 3/8	-	-	52	2
	9FDW-3648UW	36 x 48	914 x 1219	36 3/8	48 3/8	-	-	61	2
	9FDW-4848UW	48 x 48	1219 x 1219	48 3/8	48 3/8	-	-	75	2
For other sizes, materials or options, fill out made-to-order chart									

\*Sizes not shown, available upon request up to 48" x 48" in 1/4" increments. Use "Made-to-Order" table below for other sizes, colors, locks and features.

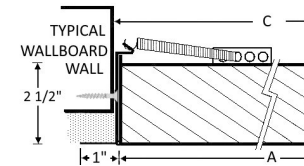
For Sizes Where Height Exceeds 48", See the FCI Series Access Panels.

**MADE-TO-ORDER FDW—EXAMPLE: 9FDW-2424U2W-H3**

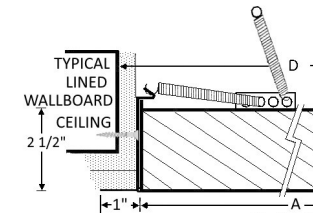
<b>QTY</b>	<b>MODEL</b>	<b>MATERIAL</b>	<b>- WIDTH</b>	<b>HEIGHT</b>	<b>LOCK &amp; LOCK PREP OPTIONS</b>	<b>FINISH</b>	<b>-</b>	<b>OPTIONS FOR WALLS ONLY</b>
<input type="checkbox"/>	9FDW	blank Cold Rolled Steel (Std.)	<input type="checkbox"/>	<input type="checkbox"/>	<input type="checkbox"/> U Universal slam latch with ring and key (Std.)	<input type="checkbox"/> W White (Std.)	<input type="checkbox"/>	<input type="checkbox"/> H14 14 ga door with 14 ga frame (up to 24" x 48")
		<input type="checkbox"/> G Galvanneal			<input type="checkbox"/> U2 Slam latch with knurled knob	<input type="checkbox"/> G Gray	<input type="checkbox"/>	<input type="checkbox"/> H2 16 ga door with 16 ga frame
		<input type="checkbox"/> S 304 Stainless with #4 finish			<input type="checkbox"/> U3 Mortise slam lock prep for lock by others	<input type="checkbox"/> Other	<input type="checkbox"/>	<input type="checkbox"/> H3 18 ga door with 18 ga frame
					<input type="checkbox"/> U4 Mortise slam lock prep/Lock 06431 installed (See separate lock option document for more details about U3 & U4)			

It is the responsibility of the customer to communicate specifications and product performance requirements that are needed for their application. This document is intended to convey potential product configurations and offerings. It is not to be used to imply or represent a specification or rating, of finished products shipped. Detailed, specific submittals can be created upon request. It is the responsibility of the customer to specify product accordingly to comply with local laws, codes, and ordinances.

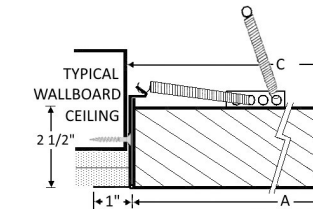
**1-1/2 HOUR UL "B" LABEL IN A  
2 HOUR FIRE BARRIER - WALL (Top view)**



**1 HOUR COMBUSTIBLE RATING - CEILING  
(Similar To Wall Installation - Requires Secondary Spring to Close Door)**



**2-3 HOUR NON-COMBUSTIBLE RATING - CEILING  
If Opening is to be Lined with Fire-Blocking Wallboard (Similar To Wall Installation - Requires Secondary Spring to Close Door)**



**DRAWINGS ABOVE PROVIDED AS REFERENCE ONLY  
INSTALLATION CONDITIONS MAY VARY**