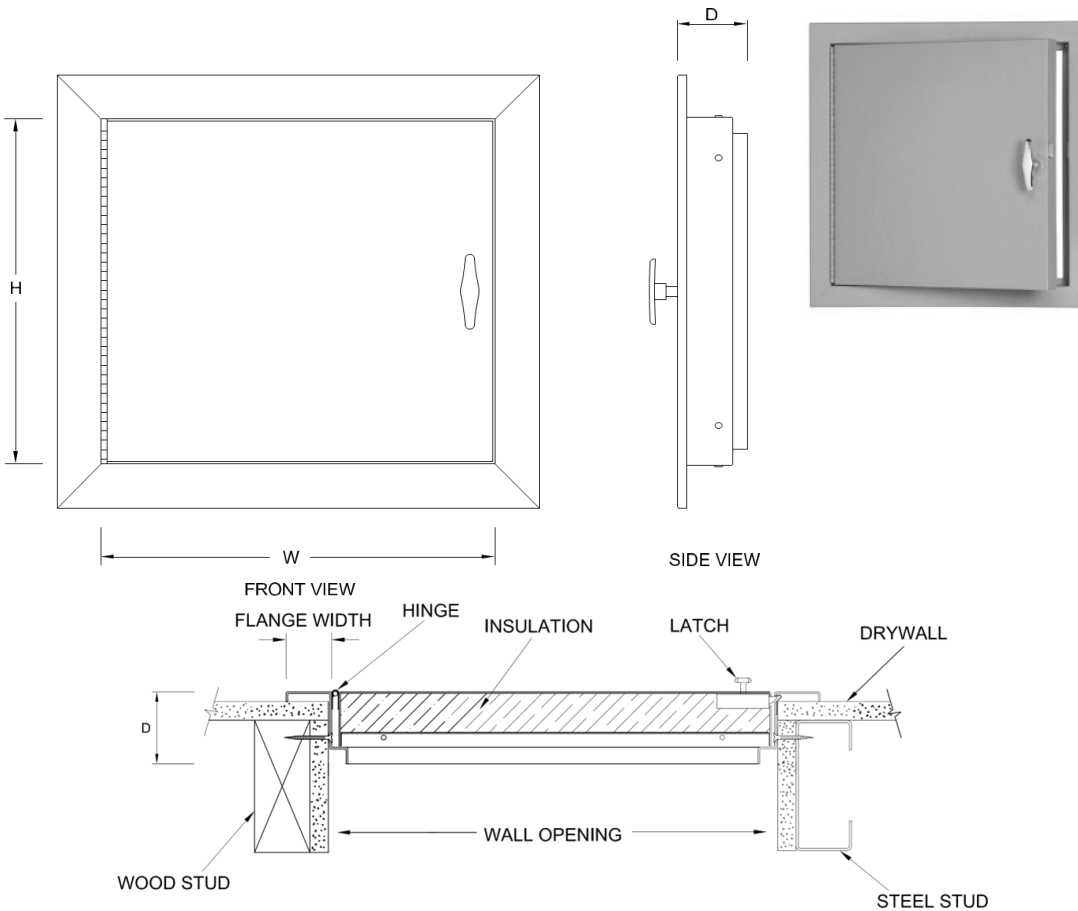


SUBMITTAL: FD2L™ SERIES 2 HR FIRE-RATED LAUNDRY/GARBAGE DOOR FOR WALLS

The Maxam specialty two hour fire-rated door for laundry



Materials: Satin finish galvaneal steel or 304 stainless steel.

Frame: 16 ga (1.61mm) steel with mounting holes. Depth "D"= 2-3/4" (70mm).

Flange: Width 1-3/4" (45mm) with a 3/8" (9.52mm) return.

Door Panel - 18 ga (1.31mm) with 22 ga (0.85mm) liner.

Insulation: The door panel contains 1-1/2" (38mm) of high temperature insulation material.

Finishes: Rust-inhibitive off-white prime coat or # 4 polished stainless steel finish on exterior surface.

Hinges: The continuous stainless steel piano hinge is designed to secure the door panel and open to 180°. The hinge is placed on the long side of the door ("H" dimension) needs to be in a vertical orientation, not horizontal.

Panel Closer: Listed concealed door closure that self-closes and latches the door as required by NFPA 80.

Latch: The standard factory installed latch is a non-locking (N) chrome "T" handle. Interior latch release optional.

Sizes: Made to Order. Minimum size is 16" x 16" , maximum size 30" x 30".

Fire-Rating: Intertek Warnock Hersey Listed and Labeled

2 Hour Fire Rating for vertical installation only

Temp Rise Max: 139°C / 250° F at 30 Min 250° C / 450° F at 60 Min

Testing Standard: Vertical: NFPA 252, UL 10B, CAN/ULC S104

Optional Smoke Gasket Testing Standards: UL 1784 per NFPA 105, ASTM E152, CAN4 S106, UBC 7-2, UL 10 (b) NFPA 252 (90- minute)


Clear Opening: Width minus 1-1/4", Height minus 1-1/4".

QTY	Model Galvaneal T-Handle	Rough Opening = Order Size W x H, H = Hinge Side		Weight Kgs	Weight lbs.
		Inches	Metric(mm)		
	FD2LG-1616-N	16 x 16	406 x 406	7.71	17
	FD2LG-1818-N	18 x 18	457 x 457	9.07	23
	FD2LG-1824-N	18 x 24	457 x 610	11.34	25
	FD2LG-2230-N	22 x 30	559 x 762	16.1	37
	FD2LG-2424-N	24 x 24	610 x 610	13.6	30
	FD2LG-2430-N	24 x 30	610 x 762	17	39
	FD2LG-3030-N	30 x 30	762 x 762	19.5	43

MADE-TO-ORDER FD2L

QTY MODEL MATERIAL - WIDTH HEIGHT - LATCHES - OPTIONS

FD2L G Galvaneal Steel N Non-Locking T Handle (Std) K Listed Smoke Gasket
 SS Stainless Steel MP Mortise Prep for 1-1/8" Cylinder MPI Mortise Lock Installed (1-1/8")

 <p>JL INDUSTRIES 9702 Newton Av S. Bloomington, MN 55431</p>	800-554-6077	Distributor:	Quantity:
	sales@activarcpg.com	Contractor:	Approved By:
	www.activarcpg.com	Model #:	Architect:
	Many Locations Nationwide	Project:	Date: