

FIRE HOSE AND EQUIPMENT CABINETS



FIRE HOSE EQUIPMENT CABINET

This durable Storage Cabinet has CRS Steel or Galvanized Steel Construction for Interior or Exterior Use. The top is angled with a 3" overhang to shed water.

Construction: 16 gauge galvanized or cold rolled steel construction. Both are finished with red powder-coat paint and features shelf and louvers on both sides of cabinet for ventilation. Top is slightly angled and overhangs the doors by 2-7/8". Optional 12" legs.

Hardware: Hasp for a padlock (by others) standard.

Size: 58" W x 42" H x 18 1/2" D

Options: DFFH or 1403 "Fire Hose" Decal, Locking chrome handle with top & bottom latching, (must be ordered with cabinet in order to install rod latching system)

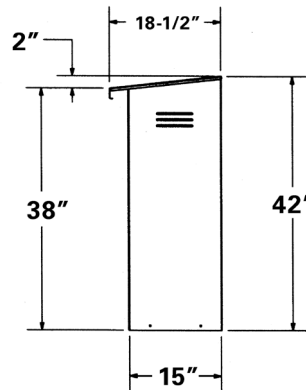
Models:

HECIG: Galvanized

HECIGL: Galvanized with Legs

HECIR: Steel

HECIRL: Steel with Legs



HECIGL OR HECIRL

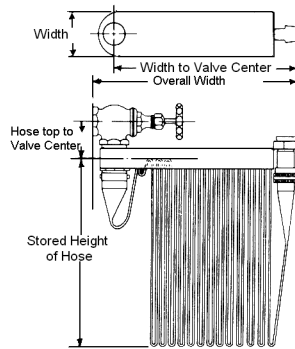


HECIG OR HECIR

HRA SERIES: FIRE HOSE RACK ASSEMBLY

Operation: One-man operation for immediate means of fire control.

Ratings: 100 GPM at 65 PSI at the nozzle. Hose is FM-approved, Industrial Fog Nozzle, Angle Valve and Pin Rack are UL-rated. Models HRA050B-HRA100CH rated for Class II Service under NFPA/FEMA Class of service. Models HRA050B-2.5 - HRA100B-2.5 rated for Class II and Class III Service under NFPA/FEMA Class of service.



Model #	Prev. Model #	Hose Length	Hose Diameter	Hose Type	Valve Size	Rack Length	Class of Service	Stored Height of Hose	Width of Rack	Height from Hose Top to Valve Center	Overall Width of Stored Unit to Valve Center
Basic Unit For 1 1/2" Hose and Valve with Single Jacket Lined Hose, Industrial Fog Nozzle, Red Enamel Pin Rack and Cast Brass Coupling, Angle Valve, Escutcheon and Nipple											
HRA050B	3005	50'	1 1/2	Poly Lined Hose	1 1/2	17 7/8	II	23	4 1/8	3 7/8	19 3/4
HRA075B	3007	75'	1 1/2		1 1/2	17 7/8	II	23	4 1/8	3 7/8	19 3/4
HRA100B	3010	100'	1 1/2		1 1/2	17 7/8	II	23	4 1/8	3 7/8	19 3/4
Basic Unit Above, with Red Enamel Rack, Chrome-plated Brass Fittings and Chrome-plated Rough Brass Valve											
HRA050CH	3105	50'	1 1/2	Poly Lined Hose	1 1/2	17 7/8	II	23	4 1/8	3 7/8	19 3/4
HRA075CH	3107	75'	1 1/2		1 1/2	17 7/8	II	23	4 1/8	3 7/8	19 3/4
HRA100CH	3110	100'	1 1/2		1 1/2	17 7/8	II	23	4 1/8	3 7/8	19 3/4
Basic Unit For 1 1/2" Hose and 2 1/2" Valve with Single Jacket Lined Hose, Industrial Fog Nozzle, Red Enamel Pin Rack and Cast Brass Coupling, Angle Valve, Reducer, Escutcheon and Nipple											
HRA050B-2.5	3205	50'	1 1/2	Poly Lined Hose	2 1/2	17 7/8	II and III	23	4 1/8	4 1/8	20 1/16
HRA075B-2.5	3207	75'	1 1/2		2 1/2	17 7/8	II and III	23	4 1/8	4 1/8	20 1/16
HRA100B-2.5	3210	100'	1 1/2		2 1/2	17 7/8	II and III	25	4 1/8	4 1/8	20 1/16
HRA125B-2.5	3212	125'	1 1/2		2 1/2	17 7/8	II and III	28	4 1/8	4 1/8	20 1/16
SEE CROWLINE SERIES FOR CABINETS TO FIT FIRE HOSE RACK ASSEMBLIES											
Dimensions in Inches											