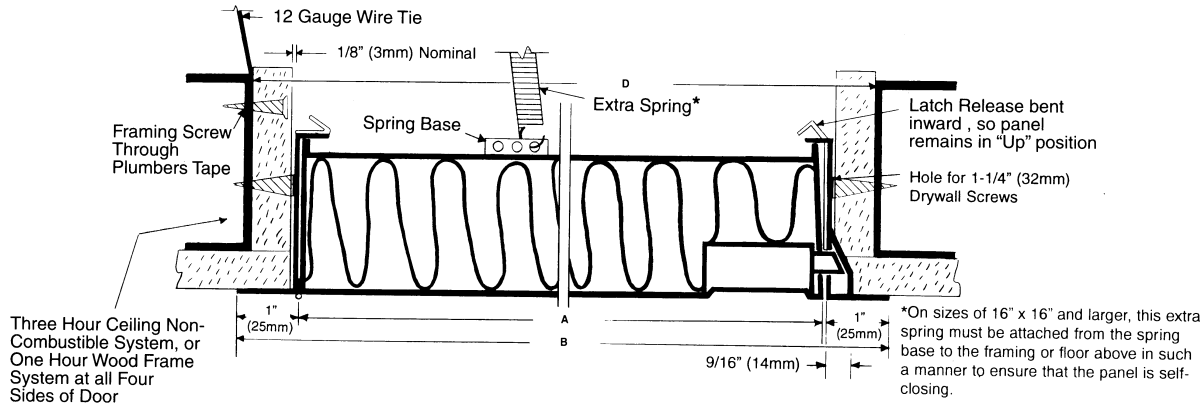


# FIRE RATED ACCESS DOORS

## 1 OR 3 HOUR FIRE- RATED ACCESS PANEL

### CEILING INSTALLATION INSTRUCTIONS



1. With metal studding, install a framed opening at specified location of panel. Opening dimensions should be 1-5/8" larger than door size of panel; i.e., for a 16" x 16" panel, opening should be 17-5/8" x 17-5/8".
2. The interior of opening should be lined with 5/8" type "X" gypsum board, using screws spaced 18" o.c. maximum to the 1-5/8" track. Minimum of two (2) screws per side.
3. Remove automatic door closer (spring).
4. Place panel in position in opening and mark location of attaching screws on studding, using holes in latch and hinge sides of panel frame as marking guides.
5. Remove panel and drill 5/32" holes through studding at points marked for attachment holes.
6. Place panel in position (leaving masonry anchor straps flat against panel frame) and attach with #10 drywall screws.

7. Panel can be supported with 12 gauge wire ties or plumbers tape attached from framing screw to wood studs of flooring above.
8. Check panel for freedom of movement. If binding occurs, shim as necessary to prevent racking of frame.
9. Reattach automatic door closer (spring), and secure to framing above.

#### IMPORTANT



10. Panel sizes 16" x 16" and larger are supplied with an extra spring. It is the responsibility of the installer to attach these springs from the spring base on back of panel to framing of floor above to insure that door is self-closing.
11. Before installing panel, bend 'lock release' bracket inward causing panel to stay in 'up' position.
12. In order to insure that panel is self-closing, it must be released from at least 60 degrees from horizontal.

**THIS PRODUCT NOT CLASSIFIED BY UNDERWRITER'S**

**LABORATORIES FOR THIS APPLICATION**



**NOTE: ALL FIRE-RATED ACCESS PANELS ARE SELF-CLOSING.**

 <b>JL INDUSTRIES</b> INCORPORATED	<b>A DIVISION OF</b>  <b>ACTIVAR</b> INC. <i>Construction Products Group</i> <small>www.activarepg.com</small>	
<b>HEADQUARTERS: 4450 WEST 78<sup>TH</sup> ST CIRCLE, BLOOMINGTON, MN 55435-5416 PH: 952-835-6850 FAX: 952-835-2218 EMAIL: JL@JLINDUSTRIES.COM WWW.JLINDUSTRIES.COM</b> <b>JL WEST COAST: COMMERCE, CA PH: 323-726-9070 FAX: 323-726-9068 • JL SOUTHEAST: FT MEYERS, FL PH: 239-693-7500 FAX: 239-693-7501</b>		