



FLOOR DOOR CATALOG

DIVISION 08 30 00
DIVISION 08 31 23

SPECIALTY DOORS AND FRAMES
FLOOR DOORS



ACTIVAR CONSTRUCTION PRODUCTS GROUP INC.



FLOOR DOOR: FIRE-RATED

FHD™ SERIES: FIRE-RATED FLOOR DOORS

1, 2 & 3 HOUR

JL Industries offers 1, 2 and 3 hour fire rated floor door models that are designed to control the transmission of heat and flames when installed in a floor-ceiling assembly with a maximum temperature rise of 250° F for the specified rating period.

PRODUCT DETAILS:

Frame Material: 12 gauge galvalume steel with ash gray primer

Door Material: 1/4" Aluminum tread plate with mill finish and 14 gauge galvalume steel frame and liner with ash gray primer

Insulation: High temperature ceramic fiber insulation

Latch: Stainless steel slam latch operated by a stainless steel recessed turn handle topside

Hinge: Continuous stainless steel piano hinge

Spring/Cylinder: 316 Stainless steel gas spring cylinders

Self-Closing Mechanism: 165° Fahrenheit (74° Celsius) fusible link melts during fire automatically closing door without warning by releasing gas in cylinders. Not available on sizes larger than 42" x 60".

Installation Kit: Includes anchor straps for installing into concrete and screws for wood frame installations

Sizes:

Minimum: 26" x 24"

Maximum 1 & 2 Hour: 64" x 60"

Maximum 3 Hour: 42" x 60" or 48" x 48"

Load: 150 psf

Note: Floor Door is not to be exposed to rain or wet environments. Intended for dry location use only.

FIRE RATING:

QAI Laboratories listed and labeled to NFPA-288 for 1, 2 and 3 hours for horizontal fire door assemblies

Testing Standards: NFPA 288

ADDITIONAL OPTIONS:

Other Options:

- No self-closing mechanism at 165F
- Bituminous coating on frame exterior exposed to concrete
- Painted lettering: door panel painted in optional yellow with "FIRE DOOR DO NOT STORE MATERIALS/EQUIPMENT ON SURFACE" in black lettering

Material Options: 1/4" Aluminum smooth plate, 3/16" aluminum smooth plate recessed, 3/16" steel tread plate

Latch Options:

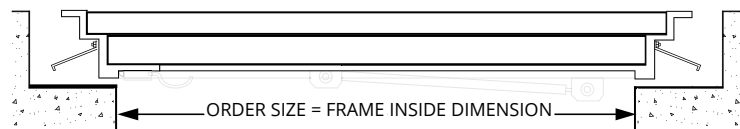
- Removable tool and plug top, slam latch bottom



Recessed Stainless Steel Turn Handle Topside (standard)

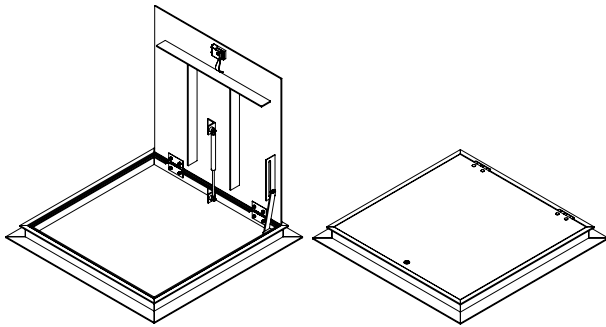
MODELS			FRAME OPENING ID	
1 Hour	2 Hour	3 Hour	WIDTH	LENGTH
FHD1R-2624	FHD2R-2624	FHD3R-2624	26"	24"
FHD1R-3030	FHD2R-3030	FHD3R-3030	30"	30"
FHD1R-3048	FHD2R-3048	FHD3R-3048	30"	48"
FHD1R-3624	FHD2R-3624	FHD3R-3624	36"	24"
FHD1R-3630	FHD2R-3630	FHD3R-3630	36"	30"
FHD1R-3636	FHD2R-3636	FHD3R-3636	36"	36"
FHD1R-3648	FHD2R-3648	FHD3R-3648	36"	48"
FHD1R-3654	FHD2R-3654	FHD3R-3654	36"	54"
FHD1R-4242	FHD2R-4242	FHD3R-4242	42"	42"
FHD1R-4260	FHD2R-4260	FHD3R-4260	42"	60"
FHD1R-4848*	FHD2R-4848*	FHD3R-4848*	48"	48"
FHD1R-6460*	FHD2R-6460*	(not available)	64"	60"

*Self closing mechanism NOT available in this size



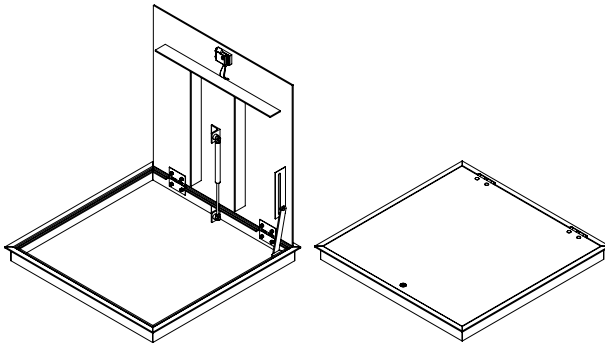
2

It is the responsibility of the customer to communicate specifications and product performance requirements that are needed for their application. This document is intended to convey potential product configurations and offerings. It is not to be used to imply or represent a specification or rating, of finished products shipped. Detailed, specific submittals can be created upon request. It is the responsibility of the customer to specify product accordingly to comply with local laws, codes, and ordinances.



Model FLDA-3636S

MODEL	DOORS	FRAME OPENING ID	
		WIDTH	LENGTH
FLDA-2424S	Single	24"	24"
FLDA-2436S	Single	24"	36"
FLDA-3030S	Single	30"	30"
FLDA-3048S	Single	30"	48"
FLDA-3636S	Single	36"	36"
FLDA-3648S	Single	36"	48"
FLDA-3730S	Single	37"	30"
FLDA-4242S	Single	42"	42"
FLDA-4848S	Single	48"	48"
FLDA-4848D	Double	48"	48"
FLDA-6060D	Double	60"	60"



Model FLDE-3535S

MODEL	DOORS	FRAME OPENING ID		EXISTING OPENING	
		WIDTH	LENGTH	WIDTH	LENGTH
FLDE-2323S	Single	23"	23"	24"	24"
FLDE-2335S	Single	23"	35"	24"	36"
FLDE-2929S	Single	29"	29"	30"	30"
FLDE-2947S	Single	29"	47"	30"	48"
FLDE-3535S	Single	35"	35"	36"	36"
FLDE-3547S	Single	35"	47"	36"	48"
FLDE-4141S	Single	41"	41"	42"	42"
FLDE-4747S	Single	47"	47"	48"	48"

FLDA SERIES: ANGLED FLOOR DOOR

A flush floor door that is designed to remain corrosion-free with non-slip diamond plate surface.

PRODUCT DETAILS:

Frame Material: 1/4" extruded aluminum

Door Material: Reinforced 1/4" diamond aluminum plate

Standard Finish: Mill with bituminous coating on outer frame

Latch: 304 Stainless steel slam latch with flush key operator on exterior and handle opener on inside. Removable stainless 18-8 threaded screw and 5/16" steel square key included.

Hinge: 304 Stainless steel

Spring: 304 Stainless steel gas assist opener

Hold Open Arm: Stainless steel automatic locking hold open arm

Load: 300 psf

Sizes:

Minimum: 24" x 24"

Maximum: 60" x 60"

ADDITIONAL OPTIONS:

Padlock tab



ORDER SIZE = FRAME INSIDE DIMENSION

FLDA Cross-Section

FLDE SERIES: ANGLED EXISTING FLOOR DOOR

Retrofit floor door is ready to be installed in an existing floor opening.

PRODUCT DETAILS:

Frame Material: 1/4" extruded aluminum

Door Material: Reinforced 1/4" diamond aluminum plate

Standard Finish: Mill

Frame Construction: Pre-drilled .28" dia mounting holes for 1/4" hardware (by others) 1-1/2" from bottom of frame

Latch: 304 Stainless steel slam latch with flush key operator on exterior and handle opener on inside. Removable stainless 18-8 threaded screw and 5/16" steel square key included.

Hinge: 304 Stainless steel

Spring: 304 Stainless steel gas assist opener

Hold Open Arm: Stainless steel automatic locking hold open arm

Load: 300 psf

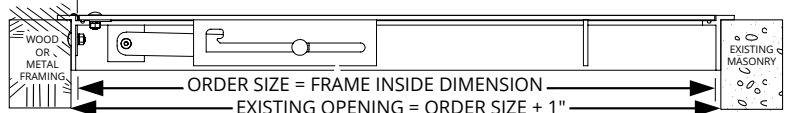
Sizes:

Minimum: 23" x 23"

Maximum: 48" x 48"

ADDITIONAL OPTIONS:

Padlock tab



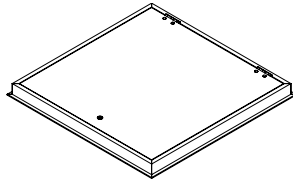
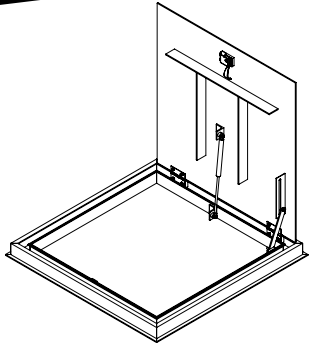
ORDER SIZE = FRAME INSIDE DIMENSION

EXISTING OPENING = ORDER SIZE + 1"

FLDE Cross-Section



FLOOR DOOR



Model FLDD-3636S

MODEL	DOORS	FRAME OPENING ID	
		WIDTH	LENGTH
FLDD-2424S	Single	24"	24"
FLDD-2436S	Single	24"	36"
FLDD-3030S	Single	30"	30"
FLDD-3048S	Single	30"	48"
FLDD-3636S	Single	36"	36"
FLDD-3648S	Single	36"	48"
FLDD-3730S	Single	37"	30"
FLDD-4242S	Single	42"	42"
FLDD-4848D	Double	48"	48"
FLDD-6060D	Double	60"	60"



Model FLDR-3030S

MODEL	DOORS	FRAME OPENING ID	
		WIDTH	LENGTH
FLDR-2424S	Single	24"	24"
FLDR-3030S	Single	30"	30"
FLDR-3036S	Single	30"	36"
FLDR-3636S	Single	36"	36"
FLDR-4242S	Single	42"	42"

FLDD SERIES: DRAINABLE FLOOR DOOR

A flush aluminum floor door with integral gutter system for water run-off.

PRODUCT DETAILS:

Frame Material: 1/4" extruded aluminum

Door Material: Reinforced 1/4" diamond aluminum plate

Standard Finish: Mill with bituminous coating on outer frame

Latch: 304 Stainless steel slam latch with flush key operator on exterior and handle opener on inside. Removable stainless 18-8 threaded screw and 5/16" steel square key included.

Hinge: 304 Stainless steel

Spring: 304 Stainless steel gas assist opener

Hold Open Arm: Stainless steel automatic locking hold open arm

Load: 300psf

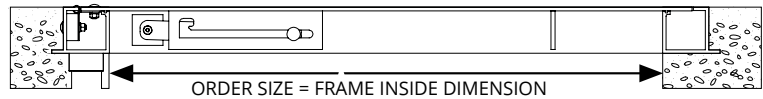
Sizes:

Minimum: 24" x 24"

Maximum: 60" x 60"

ADDITIONAL OPTIONS:

Padlock tab



FLDR SERIES: RECESSED FLOOR DOOR

This architectural recessed floor door is designed to accommodate the installation of 1/8" tile or carpet to blend in with surrounding flooring.

PRODUCT DETAILS:

Frame Material: 1/4" x 3" x 3" angle aluminum with 1/8" lip for flooring infill and bolt-on masonry anchors

Door Material: 1/4" aluminum smooth plate with 1/8" lip for flooring infill

Standard Finish: Mill

Latch: Zinc plated steel slam latch with flush key operator on exterior and handle opener on inside. Chrome plated 5/16" steel square key included.

Hinge: Aluminum arm-type hinge with 304 stainless steel bolts

Spring: Chrome silicone torsion bar

Hold Open Arm: Aluminum automatic locking hold open arm with red vinyl grip handle

Load: 150psf

Sizes:

Minimum: 24" x 24"

Maximum: 48" x 48"

ADDITIONAL OPTIONS:

- Door and frame with 3/16" lip for flooring infill
- 304 Stainless steel slam latch
- Bituminous coating on outer frame
- Neoprene Gasketing

