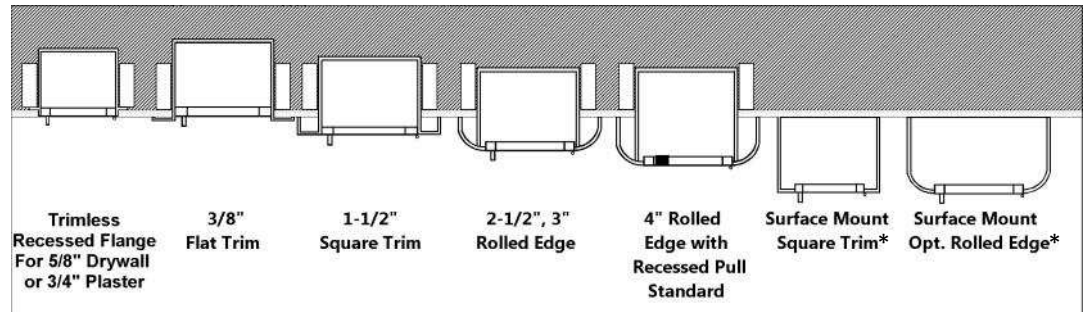


KEY TO CABINET NUMBERING SYSTEM

RECESSED TUB SIZE (I.D.)	
15	10-1/2 x 24 x 4
17	10-1/2 x 24 x 5
18	10-1/2 x 24 x 5-1/2
10 & 12	10-1/2 x 24 x 6
11	9 x 18 x 4-11/16
20	12 x 27 x 7-3/4
25	14 x 30 x 4
30	16 x 32 x 7-3/4
36	12 x 36 x 8
40	20 x 27 x 7-3/4
45	28 x 30 x 4
55	18 x 18 x 7-3/4
56	10-1/2 x 24 x 5-3/4
57	16 x 32 x 7-3/4
58	32 x 32 x 7-3/4
59	16 x 40 x 8 3/4
60	24 x 30 x 6
61	24 x 30 x 8
62	24 x 34-3/4 x 6
63	30 x 30 x 8
64	24 x 34-3/4 x 8
65	32-3/4 x 34-3/4 x 8
66	24 x 38-3/4 x 8
72	32-3/4 x 38-3/4 x 8
80	16 x 40 x 9
81	9 x 18 x 5-1/2
84	18 x 18 x 10
85	18 x 18 x 8
86	26 x 26 x 10
87	26 x 26 x 8

DOOR/TRIM MATERIAL	
1	Steel, white powdercoat finish
2	Aluminum, #180 clear satin anodized finish
3	Stainless steel, #4 satin finish
4	Bronze, US10 satin, clear coat finish ♦
5	Brass, US3 polished, clear coat finish ♦
7	US4 Satin Brass ♦
8	US10B, Oil-rubbed bronze
9	Color anodized aluminum
♦Bronze and brass are not available in 40, 45 or 58 tub sizes.	

TRIM DEPTH	
2	Semi-Recessed 4" rolled edge w/flush pull, steel, stainless steel, aluminum
3	Surface mount (4", 6", 8" or 9") square edge for steel and aluminum*
4	Trimless recessed flange for 5/8" drywall or 3/4" plaster
5	Fully recessed, 3/8", square edge
6	Semi-recessed 1-1/4", 1-1/2", square edge
7	Semi-recessed 2 -1/2", or 3" rolled edge
8	Semi-recessed 4-1/2" rolled edge for steel, stainless steel, aluminum
9	Surface-mount 4", 6" 8" or 9" rolled edge for stainless steel or steel. (may be a special order item)*
Note: Bronze and brass are not available in # 8, 9 or 2 trim depths.	



***Note:** for surface mount cabinets, add 3-3/16" to width and height measurements.

DOOR STYLE		DOOR GLAZING	
B10	Small acrylic view window with SAF-T-LOK™ and pull	10	Clear acrylic
D	Horizontal duo panel and pull	13	Clear wire with safety film
E	Horizontal duo panel with SAF-T-LOK and pull	15	Bronze acrylic
F	Full glass with pull	16	Gray acrylic
G	Full glass with SAF-T-LOK and pull	17	Clear tempered
L22	Solid door with SAF-T-LOK and pull	18	Clear safety glass
L24	Solid door with cylinder lock and no pull	25	Clear bubble -Clear Vu, SMB
S21	Solid door with pull (Embassy has concealed pull)	26	Red bubble - Clear Vu, SMB
V	Vertical duo with pull	27	Bronze bubble - Clear Vu, SMB
W	Vertical duo with SAF-T-LOK and pull (Embassy has concealed pull)		
PANORAMA DOOR STYLES BELOW		PANORAMA GLAZING STYLES BELOW	
P	Colored acrylic for Panorama with pull	40	3/16" Black acrylic with white vertical lettering
Q	Colored acrylic for Panorama with SAF-T-LOK and pull	41	3/16" Red acrylic with white vertical lettering
		42	3/16" White acrylic with black vertical lettering
		43	3/16" White acrylic with red vertical lettering
		45	3/16" Black acrylic with white horizontal lettering
		46	3/16" Red acrylic with white horizontal lettering
		47	3/16" White acrylic with black horizontal lettering
		48	3/16" White acrylic with red horizontal lettering
		50	3/16" Black acrylic with white ascending lettering
		51	3/16" Red acrylic with white ascending lettering
		52	3/16" White acrylic with black ascending lettering
		53	3/16" White acrylic with red ascending lettering
C	Clear acrylic for Panorama, frameless (flush pull not available for "C" models)	70	Clear 3/16" acrylic with pull
		71	Clear 3/16" acrylic with SAF-T-LOK and pull

