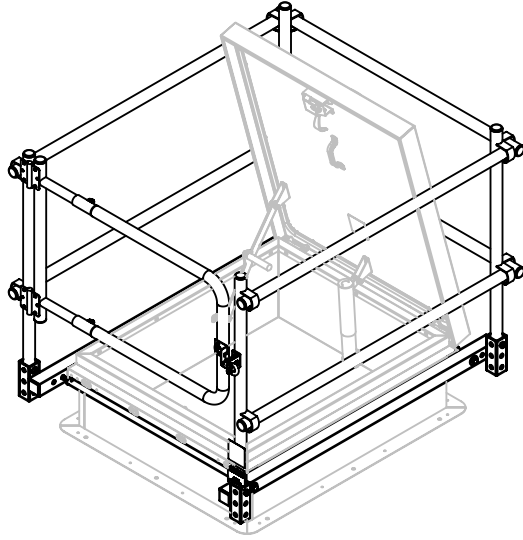
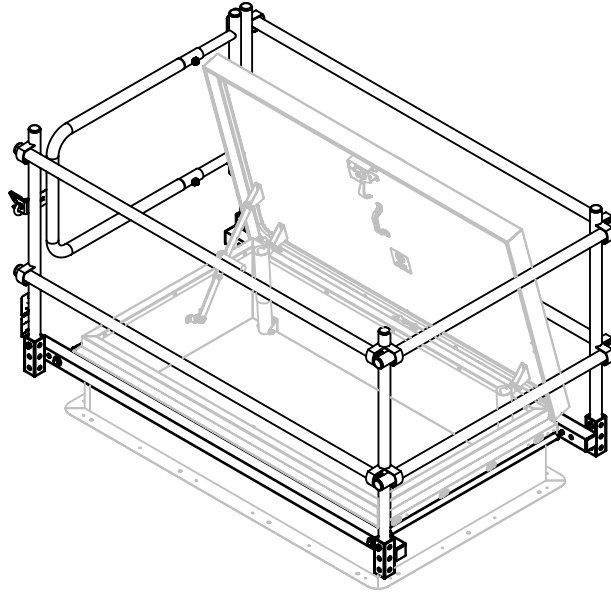


ROOF ACCESSORIES - SAFETY RAILING, COMPRESSION SERIES - RSHWC

The OSHA compliant, patented compression series safety railing is ideal for existing roof hatches. It's designed to mount on the curb counterflashing with adjustable width and length to accommodate other manufacturer's designs. In addition, the overall height is adjustable to ensure code compliance.



RAILING WITH GATE EXIT ON LENGTH
Typical for Ladder Access Hatches



RAILING WITH GATE EXIT ON WIDTH
Typical for Stair Access Hatches

MADE-TO-ORDER SAFETY RAILING, COMPRESSION SERIES

EXAMPLE: RSHWC-4896WY

QTY	MODEL	WIDTH	LENGTH	EXIT	COLOR	OPTIONS
<input type="text"/>	RSHWC	<input type="text"/>	<input type="text"/>	W Gate On Width	Y Yellow	-IT 2" Curb Insulation
				L Gate on Length		

SPECIFICATIONS:

Material: 1-5/8" x .065" (16 gauge) galvanized steel tubing

Bracket Material: 2" x 2" x .048" (18 gauge) square galvanized steel tubing

Finish: Yellow powder coat

Hinges: Steel, adjustable spring hinges

Gate: Self-closing, self-latching with telescoping size adjustment

Latch: Steel, black powder coat pin hooks around gravity latch catch

Hardware: Black plastic tubing caps and zinc-plated steel hardware

Sizing: Based on roof hatch size W x L, where L is hinged side

Minimum: 24" x 24"

Maximum: 48" x 96"

Performance: 200LBS with max 3" deflection per OSHA 1910.29, ANSI 1264.4, 50 PLF (pounds per linear foot) per 2024 IBC 1607.9 (ASCE 7)




NOTES: The compression series is designed to mount on the curb counterflashing, but can be mounted underneath. Install the corner posts using one of the three vertical bolt holes so the top rail is 42" above the walking surface, as required by OSHA 1910.29(b)(1) and 2024 IBC 1015.3.

COMMON SIZES

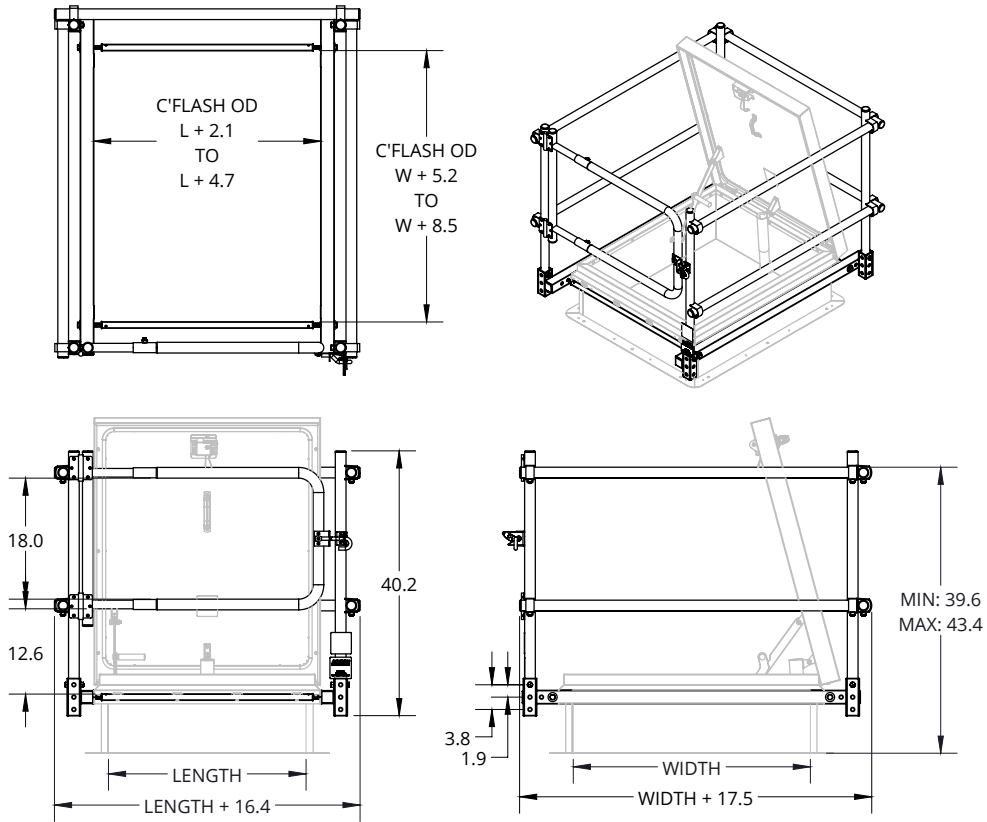
SAFETY RAILING, COMPRESSION SERIES

QTY	MODEL	W X L	GATE EXIT	WEIGHT
	RSHWC-1LY	36"x 30"	Length	88
	RSHWC-2WY	30"x 54"	Width	103
	RSHWC-3WY	30"x 96"	Width	155
	RSHWC-4LY	36"x 36"	Length	91
	RSHWC-5LY	48"x 48"	Length	103
	RSHWC-6WY	32"x 72"	Width	131
	RSHWC-7LY	37"x 30"	Length	89

It is the responsibility of the customer to communicate specifications and product performance requirements that are needed for their application. This document is intended to convey potential product configurations and offerings. It is not to be used to imply or represent a specification or rating, of finished products shipped. Detailed, specific submittals can be created upon request. It is the responsibility of the customer to specify product accordingly to comply with local laws, codes, and ordinances.

  	800-554-6077 sales@activarcpg.com www.activarcpg.com	Distributor:		Project:	
		Contractor:		Approved By:	
CANADA ONLY: 604-433-4243 info@maxammetal.com maxammetal.com		Date:		Architect:	
		Scale: N/A		Pages: 1 of 2	Item#:

SAFETY RAILING WITH GATE EXIT ON LENGTH



SAFETY RAILING WITH GATE EXIT ON WIDTH

