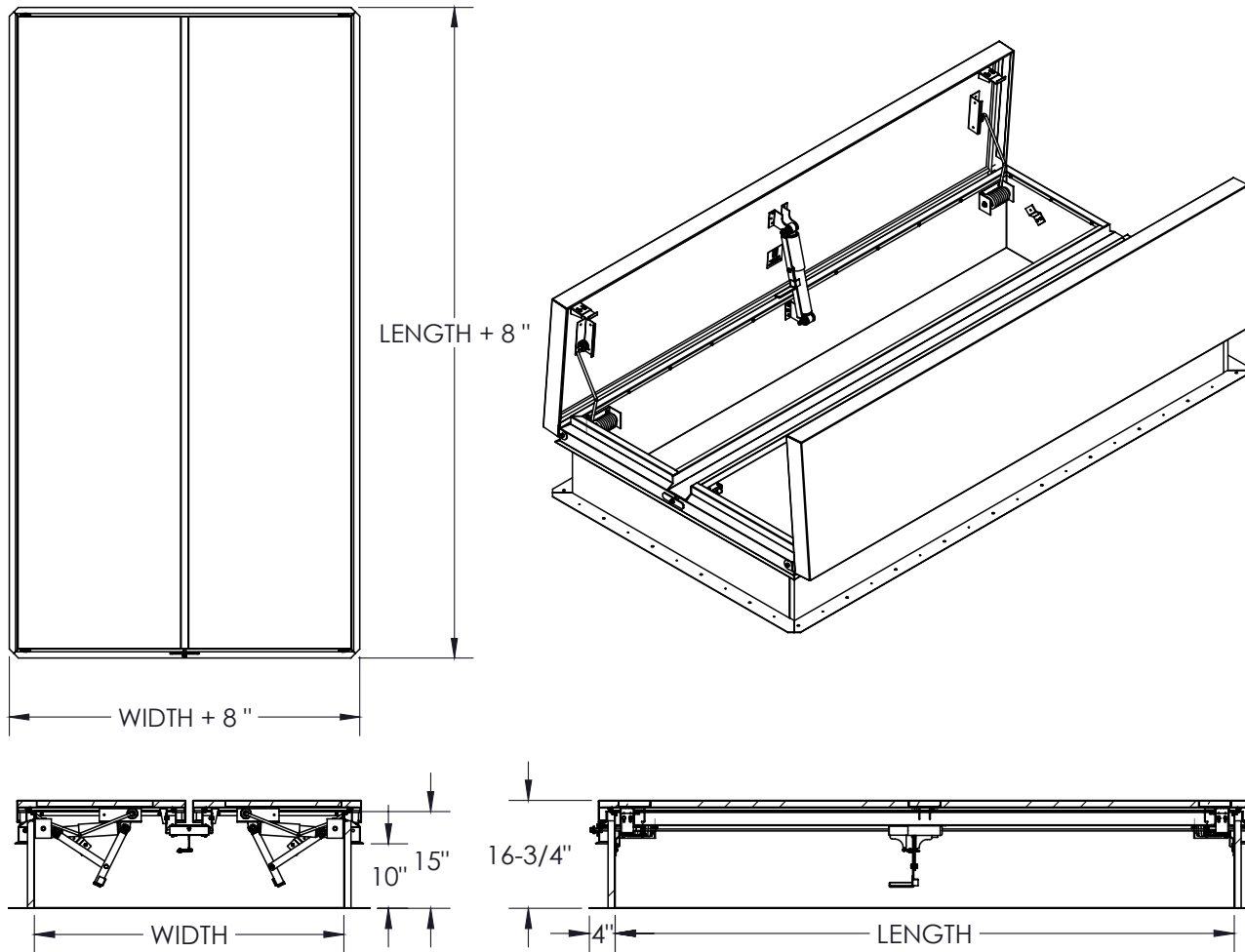


## ROOF ACCESSORIES - FARHRENHEIT™ SERIES SMOKE VENT - RVF

Double door smoke vents automatically open during a fire with a heat responsive device, releasing harmful smoke and fumes. Smoke vents are required as referenced in International Building Code section 410 for stages, platforms and technical production areas and section 910 for smoke and heat removal in storage and warehouse occupancies.



### SPECIFICATIONS:

#### Material:

**Curb:** 14 gauge galvalneal steel

**Cover:** 11 gauge aluminum with 22 gauge galvalneal steel cover liner

**Finish:** Silver textured powder coat paint

**Gasket:** Bulb neoprene door seal

**Insulation:** 1" polyisocyanurate (R-6) on curb and in cover

**Hinge:** Heavy-duty aluminum hinge with bolt pin

**Hold-Open Arm:** Clear zinc-plated steel hold-open arm with red plastic coating

**Latch:** Fully enclosed automatic pull release latch unit - typical each end

**Manual Release:** Interior and exterior manual release

**Fusible Link:** 165° UL-Listed Fusible Link

**Spring:** Torsion spring drives open the covers automatically. Shock absorbers control the speed of the leaves as they open

#### Sizes:

**Minimum:** 48" x 48"

**Maximum:** 48" x 96" (UL-Listed) or 72" x 96" (not UL-Listed)

**Clear Opening:** Minus 8" on width and minus 8" on length

**ROOF OPENING = ORDER SIZE**

#### CERTIFICATIONS:

UL 793 listed and labeled up to 48" x 96"

#### OPTIONS & ACCESSORIES:

**Options:** Double wall curb, curb mount, 2" polyisocyanurate, 2" polyisocyanurate and cover, 24VDC McCabe link 165°F, link 212°F

**Accessories:** Security grille (RSGD) 1/2" diameter steel rod 6" x 12" spacing with 1-1/4" x 1-1/4" drop in flange in powder coat grey (ordered separately)

**SECURITY GRILLE,  
ORDERED SEPARATELY**

**RSGD** Security Grille



**DUR-RED PRODUCTS**

9702 Newton Avenue S, Bloomington, MN 55431

800-554-6077

sales@activarcpg.com

www.activarcpg.com

Distributor:

Project:

Contractor:

Approved By:

Date:

Architect:

Scale: N/A

Pages: 1 of 2

Item #:

**ROOF ACCESSORIES - FARHRENHEIT™ SERIES SMOKE VENT - RVF**

**COMMON SIZES**

QTY	MODEL	PREVIOUS MODEL		CURB OPENING Width x Length
		JL	Dur-Red	
	<b>RVFGA-4848ST</b>	UFV-1	UFSH-4848	48" x 48"
	<b>RVFGA-4872ST</b>	UFV-2	UFSH-4872	48" x 72"
	<b>RVFGA-4890ST</b>	UFV-3	UFSH-4890	48" x 90"
	<b>RVFGA-4896ST</b>	UFV-4	UFSH-4896	48" x 96"
	<b>RVFGA-6060ST</b>	UFV-5	UFSH-6060	60" x 60" (not UL listed)
	<b>RVFGA-6096ST</b>	UFV-6	UFSH-6096	60" x 96" (not UL listed)
	<b>RVFGA-7296ST</b>	-----	UFSH-7296	72" x 96" (not UL listed)

More sizes available upon request

**MADE-TO-ORDER RVF - EXAMPLE: RVFGA-4860ST-ITL2LO**

QTY	MODEL	MATERIAL	-	WIDTH	HEIGHT	FINISH	-	OPTIONS												
	<b>RVF</b>	<b>GA</b> Steel Curb, Aluminum Cover				<b>ST</b> Powder Coat Silver Textured		<table border="1"> <tr> <td><b>CD</b></td> <td>Double wall curb</td> </tr> <tr> <td><b>CM</b></td> <td>Curb mount</td> </tr> <tr> <td><b>IT</b></td> <td>2" polyisocyanurate on curb</td> </tr> <tr> <td><b>ITT</b></td> <td>2" polyisocyanurate on curb &amp; cover</td> </tr> <tr> <td><b>L1LO</b></td> <td>24VDC McCabe link, 165°F</td> </tr> <tr> <td><b>L2LO</b></td> <td>Link 212°F</td> </tr> </table>	<b>CD</b>	Double wall curb	<b>CM</b>	Curb mount	<b>IT</b>	2" polyisocyanurate on curb	<b>ITT</b>	2" polyisocyanurate on curb & cover	<b>L1LO</b>	24VDC McCabe link, 165°F	<b>L2LO</b>	Link 212°F
<b>CD</b>	Double wall curb																			
<b>CM</b>	Curb mount																			
<b>IT</b>	2" polyisocyanurate on curb																			
<b>ITT</b>	2" polyisocyanurate on curb & cover																			
<b>L1LO</b>	24VDC McCabe link, 165°F																			
<b>L2LO</b>	Link 212°F																			

It is the responsibility of the customer to communicate specifications and product performance requirements that are needed for their application. This document is intended to convey potential product configurations and offerings. It is not to be used to imply or represent a specification or rating, of finished products shipped. Detailed, specific submittals can be created upon request. It is the responsibility of the customer to specify product accordingly to comply with local laws, codes, and ordinances.