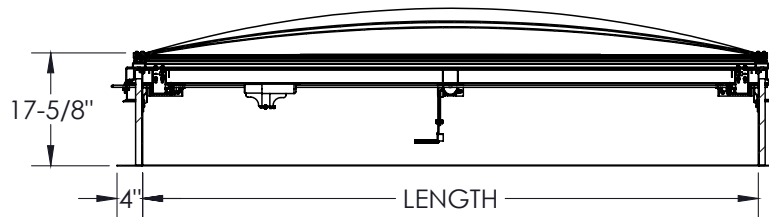
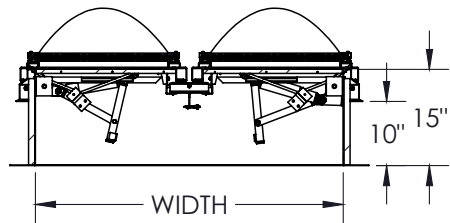
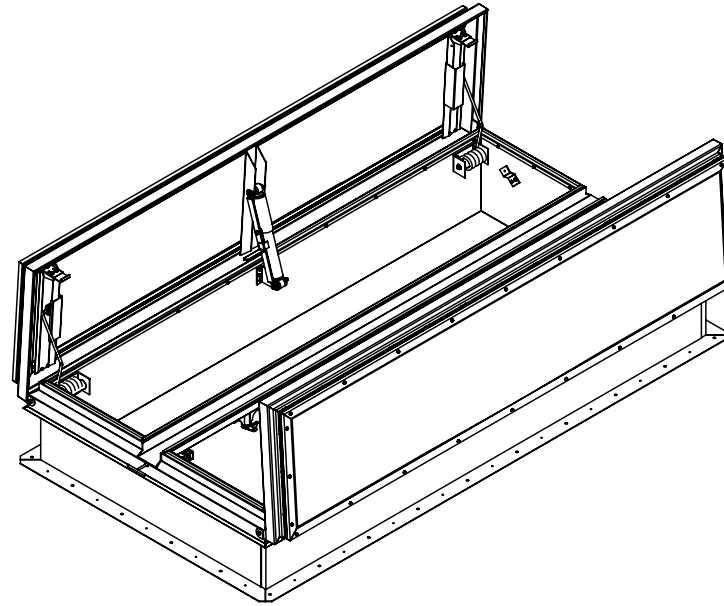
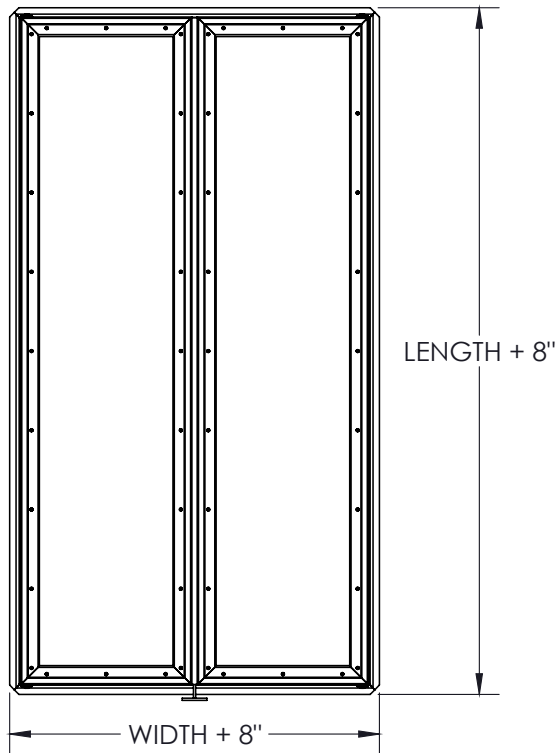


## ROOF ACCESSORIES - FARHRENHEIT™ SERIES DOMED SMOKE VENT - RVFV

Domed smoke vents provide natural daylighting where smoke vents are installed. Double door smoke vents automatically open during a fire with a heat responsive device, releasing harmful smoke and fumes.



### SPECIFICATIONS:

#### Material:

**Curb:** 14 gauge galvalneal steel

**Cover:** 11 gauge aluminum

**Finish:** Silver textured powder coat paint

**Dome:** Clear over white acrylic

**Gasket:** Bulb neoprene door seal

**Insulation:** 1" polyisocyanurate (R-6) on curb and in cover

**Hinge:** Heavy-duty aluminum hinge with bolt pin

**Hold-Open Arm:** Clear zinc-plated steel hold-open arm with red plastic coating

**Latch:** Fully enclosed automatic pull release latch unit - typical each end

**Manual Release:** Interior and exterior manual release

**Fusible Link:** 165° UL-Listed Fusible Link

**Spring:** Torsion spring drives open the covers automatically. Shock absorbers control the speed of the leaves as they open

#### Sizes:

**Minimum:** 48" x 48"

**Maximum:** 48" x 96" or 72" x 96"

**Clear Opening:** Minus 8" on width and minus 8" on length

**ROOF OPENING = ORDER SIZE**

### OPTIONS & ACCESSORIES:

#### Options:

**Hatch:** Double wall curb, curb mount, 2" polyisocyanurate on curb, 24VDC McCabe link 165°F, link 212°F

**Dome:** Acrylic single dome white, polycarbonate single dome white, polycarbonate clear over white double dome

**Accessories:** Security grille (RSGD) 1/2" diameter steel rod 6" x 12" spacing with 1-1/4" x 1-1/4" drop in flange in powder coat grey (ordered separately)

#### SECURITY GRILLE, ORDERED SEPARATELY

RSGD Security Grille



**DUR-RED PRODUCTS**

9702 Newton Avenue S, Bloomington, MN 55431

800-554-6077

sales@activarcpg.com

www.activarcpg.com

Distributor:

Project:

Contractor:

Approved By:

Date:

Architect:

Scale: N/A

Pages: 1 of 2

Item #:

# ROOF ACCESSORIES - FARHRENHEIT™ SERIES DOMED SMOKE VENT - RVFV

## COMMON SIZES - RVFV

QTY	MODEL	PREVIOUS MODEL		CURB OPENING Width x Length
		JL	Dur-Red	
	<b>RVFVGA-4848ST</b>	UFV-1	UFSH-4848	48" x 48"
	<b>RVFVGA-4872ST</b>	UFV-2	UFSH-4872	48" x 72"
	<b>RVFVGA-4890ST</b>	UFV-3	UFSH-4890	48" x 90"
	<b>RVFVGA-4896ST</b>	UFV-4	UFSH-4896	48" x 96"
	<b>RVFVGA-6060ST</b>	UFV-5	UFSH-6060	60" x 60"
	<b>RVFVGA-6096ST</b>	UFV-6	UFSH-6096	60" x 96"
	<b>RVFVGA-7296ST</b>	-----	UFSH-7296	72" x 96"

More sizes available upon request

## MADE-TO-ORDER RVFV - EXAMPLE: RVFVGA-4860ST-VAW

QTY	MODEL	MATERIAL	-	WIDTH	HEIGHT	FINISH	-	OPTIONS																		
	<b>RVFV</b>	<b>GA</b> Steel Curb, Aluminum Cover				<b>ST</b> Powder Coat Silver Textured		<table border="1"> <tr> <td><b>CD</b></td> <td>Double wall curb</td> </tr> <tr> <td><b>CM</b></td> <td>Curb mount</td> </tr> <tr> <td><b>IT</b></td> <td>2" polyisocyanurate on curb</td> </tr> <tr> <td><b>ITT</b></td> <td>2" polyisocyanurate on curb &amp; cover</td> </tr> <tr> <td><b>L1LO</b></td> <td>24VDC McCabe link, 165°F</td> </tr> <tr> <td><b>L2LO</b></td> <td>Link 212°F</td> </tr> <tr> <td><b>VAW</b></td> <td>Acrylic Single Dome White</td> </tr> <tr> <td><b>VPCW</b></td> <td>Double Polycarbonate Clear over White Dome</td> </tr> <tr> <td><b>VPW</b></td> <td>Polycarbonate Single Dome White</td> </tr> </table>	<b>CD</b>	Double wall curb	<b>CM</b>	Curb mount	<b>IT</b>	2" polyisocyanurate on curb	<b>ITT</b>	2" polyisocyanurate on curb & cover	<b>L1LO</b>	24VDC McCabe link, 165°F	<b>L2LO</b>	Link 212°F	<b>VAW</b>	Acrylic Single Dome White	<b>VPCW</b>	Double Polycarbonate Clear over White Dome	<b>VPW</b>	Polycarbonate Single Dome White
<b>CD</b>	Double wall curb																									
<b>CM</b>	Curb mount																									
<b>IT</b>	2" polyisocyanurate on curb																									
<b>ITT</b>	2" polyisocyanurate on curb & cover																									
<b>L1LO</b>	24VDC McCabe link, 165°F																									
<b>L2LO</b>	Link 212°F																									
<b>VAW</b>	Acrylic Single Dome White																									
<b>VPCW</b>	Double Polycarbonate Clear over White Dome																									
<b>VPW</b>	Polycarbonate Single Dome White																									

It is the responsibility of the customer to communicate specifications and product performance requirements that are needed for their application. This document is intended to convey potential product configurations and offerings. It is not to be used to imply or represent a specification or rating, of finished products shipped. Detailed, specific submittals can be created upon request. It is the responsibility of the customer to specify product accordingly to comply with local laws, codes, and ordinances.