

SUBMITTAL: 3600™ SERIES BLANKET & EXTINGUISHER CABINET - STAINLESS STEEL

Door and Trim Construction: No. 4 stainless steel. Flush cabinet doors with a 5/8" door stop are attached by a continuous hinge and equipped with zinc-plated handle and roller catch. Full glazed front with pull handle.

Trim Style and Depth: *Recessed* - 3/8" Flat Trim. *Semi-Recessed* - 1-1/2" Square Trim, 2-1/2", 4" or 4-1/2" Rolled Edge. *Surface-Mounted*. - has a square edge. 1-3/4" face trim on frame and 1-1/4" trim on door. ADA-compliant models in [blue](#).

Tub: Constructed of cold rolled steel with white powder-coat finish standard. Surface mounted models have stainless tub.

Glazing: .09 Acrylic Glazing

Shelf: Shelf is located 9" from the top of the cabinet, providing storage for the blanket above the extinguisher.

Blanket: Includes a nominal 62" x 80" x 2.75 lb., processed wool/synthetic fire blanket which meets the Flammable Fabrics Act: Flammability of Clothing Textiles, Title 16, CFR1610

Fire Rated Option : See Separate Submittal for FX Model

STEP 1: SELECT DOOR STYLE WITH HANDLE

- F** Full Glazing in 1-1/4" wide Frame
- G** Full Glazing with SAF-T-LOK™ in 1-1/4" Frame
- D** Horizontal Duo Panel
- E** Horizontal Dual Panel with SAF-T-LOK™
- S21** Solid Door

Check one box below Examples on Page 2

- L22** Solid with SAF-T-LOK™
- L24** Solid with Cylinder Lock - No Handle
- V** Vertical Duo
- W** Vertical Duo with SAF-T-LOK™
- B** Solid with 2" x 4" View Window & SAF-T-LOK™

STEP 2: SELECT DOOR GLAZING

- 10** Clear Acrylic
- 17** Clear Tempered Glass


STEP 3: Optional Features at Additional Cost:

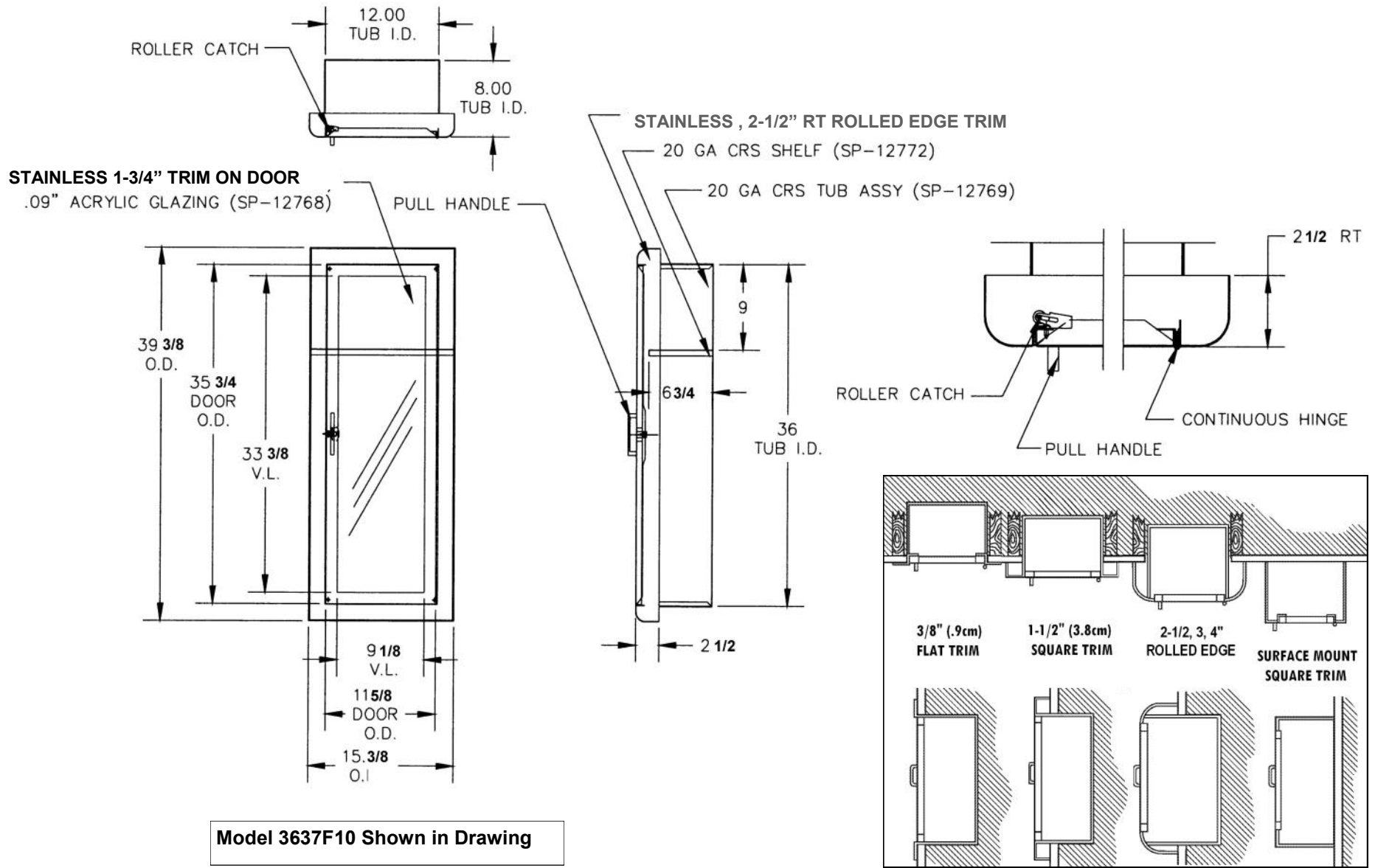
- | | | |
|--|--|---|
| <input type="checkbox"/> Color Tub - Red | <input type="checkbox"/> Strobe Alarm (surface mt. models) | <input type="checkbox"/> Red Vertical FE Letters LDCVRFE |
| <input type="checkbox"/> Color Tub - Black | <input type="checkbox"/> Futura "Fire" Handle | <input type="checkbox"/> White Vertical FE Letters LDCVWFE |
| <input type="checkbox"/> Stainless Steel Tub | <input type="checkbox"/> Flush Pull Handle | <input type="checkbox"/> Black Horizontal FE Letters LDCHBFE |
| <input type="checkbox"/> Commander Alarm | <input type="checkbox"/> "Fire Blanket" Letters - Red Horizontal DCHRFB | <input type="checkbox"/> Red Horizontal FE Letters LDCHRFE |
| <input type="checkbox"/> Brigadier Alarm | <input type="checkbox"/> Black Vertical FE Letters LDCVBFE | <input type="checkbox"/> White Horizontal FE Letters LDCHWFE |



Model 3635F10

QTY	TRIM & DOOR & SERIES #		TUB I.D.			FRAME O.D.		WALL OPENING			ACCOMMODATES FOLLOWING EXTINGUISHERS
	Model	Trim Style	A	B	C	E	F	W	H	D	
	3635	Flat Trim	12"	36"	8"	15-3/8"	39-3/8"	13"	37"	7 7/8"	Cosmic & Galaxy 2.5-10, Any Mercury
	3636	1-1/2" Square Edge	12"	36"	8"	15-3/8"	39-3/8"	13"	37"	6 7/8"	
	3637	2-1/2" Rolled Edge	12"	36"	8"	15-3/8"	39-3/8"	13"	37"	5 5/8"	Sentinel 5-10, Saturn 15-25, Grenadier P.
	3632	4" Rolled Edge - Recessed Pull	12"	36"	8"	15-3/8"	39-3/8"	13"	37"	4 3/8"	
	3638	4-1/2" Rolled Edge	12"	36"	8"	15-3/8"	39-3/8"	13"	37"	3 5/8"	
	3633	Surface-Mounted Square	15-3/16"	39-3/16"	8 1/2"	15-3/8"	39-3/8"	---	---	---	

 JL INDUSTRIES 9702 Newton Av S. Bloomington, MN 55431 Many Locations Nationwide	800-554-6077 sales@activarcpg.com www.activarcpg.com	Distributor:	Project:
		Contractor:	Approved By:
	Date:	Quantity:	Architect:
	Scale: N/A	Pages: 1 of 2	Item #



It is the responsibility of the customer to communicate specifications and product performance requirements that are needed for their application. This document is intended to convey potential product configurations and offerings. It is not to be used to imply or represent a specification or rating, of finished products shipped. Detailed, specific submittals can be created upon request. It is the responsibility of the customer to specify product accordingly to comply with local laws, codes, and ordinances.