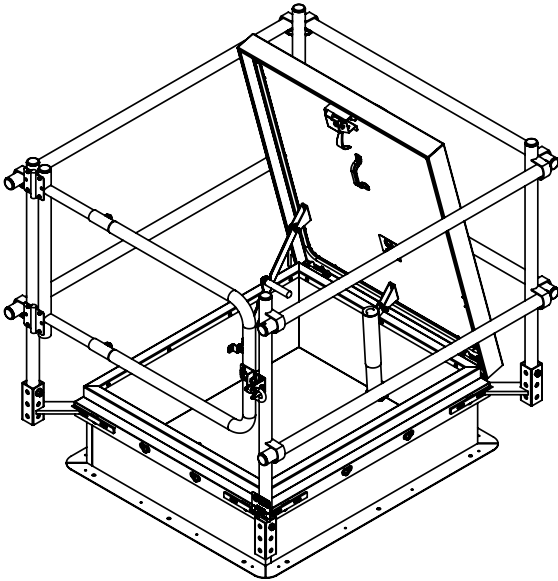
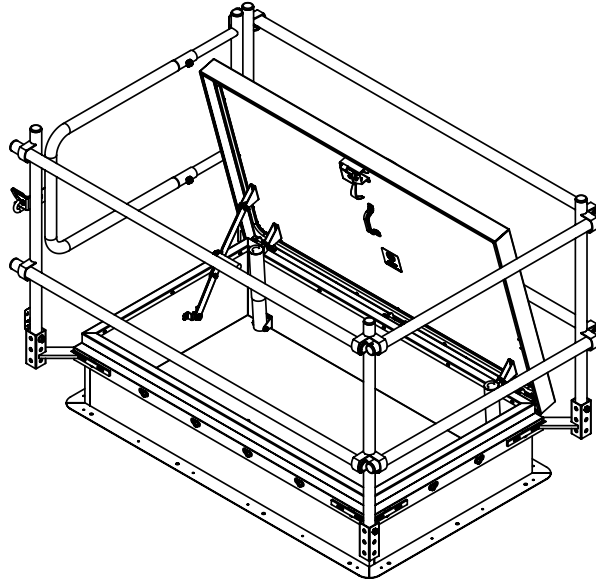


## ROOF ACCESSORIES - DIAMOND SERIES SAF-T-HATCH™

The Diamond Series Saf-T-Hatch is a complete roof hatch with bolt-on safety railing. It is an all-in-one solution to ensure compatibility between the roof hatch and safety railing, that complies with OSHA fall protection requirements..



**SAF-T HATCH™ WITH GATE EXIT ON LENGTH**  
Typical for Ladder Access Hatches



**SAF-T HATCH™ WITH GATE EXIT ON WIDTH**  
Typical for Stair Access Hatches

### SPECIFICATIONS:

#### RHDG - STEEL DIAMOND SERIES ROOF HATCH

**Material:** 14 gauge galvalume steel curb and cover with 22 gauge galvalume steel liner

**Finish:** White textured powder coat

**Hinge:** Heavy duty clear zinc-plated steel pintle hinge

**Latch:** Clear zinc-plated steel slam latch with inside and outside handles and padlock hasps. Tested to 50psf wind uplift

**Gasket:** Continuous, weatherproof EPDM sponge rubber adhesive-backed seal

**Spring:** Counterbalanced compression springs contained in clear zinc-plated steel cylinders

**Hold Open Arm:** Clear zinc-plated steel hold-open arm

**Insulation:** 1" polyisocyanurate (R-6) on curb and in cover

#### RSHWB BOLT-ON RAILING

**Material:** 1-5/8" x .065" (16 gauge) galvanized steel tubing

**Bracket Material:** 2" x 2" x .120" square galvanized steel tubing 1/4" and 1/2" plate cold rolled steel

**Finish:** Yellow powder coat

**Hinges:** Steel, adjustable spring hinges

**Gate:** Self-closing, self-latching with telescoping size adjustment

**Latch:** Steel, black powder coat pin hooks around gravity latch catch

**Hardware:** Black plastic tubing caps and zinc plated steel hardware

**Performance:** 200LBS with max 3" deflection per OSHA 1910.29, ANSI 1264.4, 50 PLF (pounds per linear foot) per 2024 IBC 1607.9 (ASCE 7)

NOTES: Install the corner posts in one of the three vertical bolt holes so the top rail is 42" above the walking surface, as required by OSHA 1910.29(b)(1) and 2024 IBC 1015.3

### COMMON SIZES

QTY	MODEL	CURB OPENING W X L	GATE EXIT	APPROX. SHIPPING WEIGHT LBS
	RHDG-1WT-STH	36"x 30"	Length	212
	RHDG-2WT-STH	30"x 54"	Width	269
	RHDG-3WT-STH	30"x 96"	Width	388
	RHDG-4WT-STH	36"x 36"	Length	235
	RHDG-5WT-STH	48"x 48"	Length	317
	RHDG-6WT-STH	32"x 72"	Width	92
	RHDG-7WT-STH	37"x 30"	Length	75



**JL INDUSTRIES**

9702 Newton Avenue S, Bloomington, MN 55431

800-554-6077

sales@activarcpg.com

www.activarcpg.com

Distributor:

Contractor:

Date:

Scale: N/A

Pages: 1 of 2

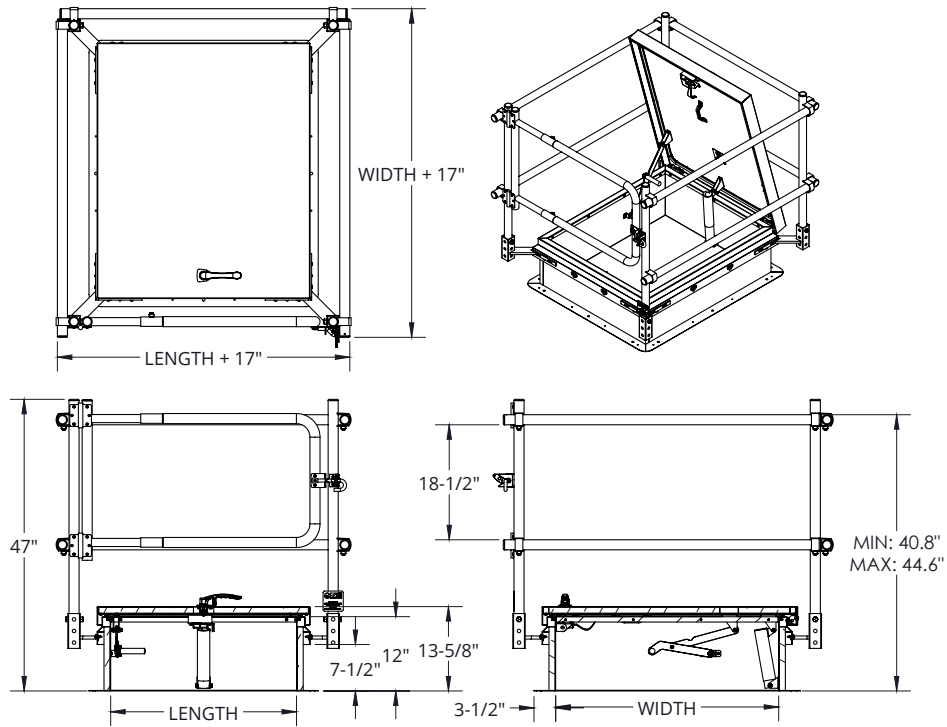
Project:

Approved By:

Architect:

Item#:

### SAFETY RAILING WITH GATE EXIT ON LENGTH



### SAFETY RAILING WITH GATE EXIT ON WIDTH

