

**General:** Safety railings are designed to mount on roof hatches to provide fall protection around the hatch when open. The following instructions are recommended general guidelines for installing compression type safety railings.

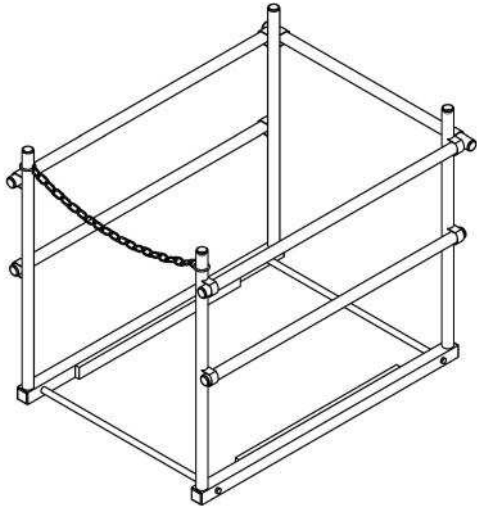
**Tools:** Allen wrench and 1/2" wrench provided with product.

**Installation:** Personal fall protection must be worn during installation. Field customize to fit existing conditions or as specified herein.

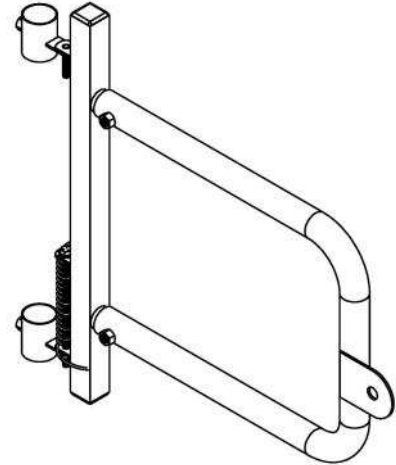
- ▶ Set the bottom frame of the safety railing around the roof hatch opening. The square tubing "1" with insulation compresses against the roof hatch curb under the cap flashing. The round tubes "2" connect the square tubing to form a rectangular frame.
- ▶ Attach using bolt inserted through square tubing into the end of the round tubes - Detail A. Tighten to fit opening, making sure the round conduit "2" resides as close to the front curb as possible at the egress side.
- ▶ Install the four corner posts with threaded bolts into the the square tubing using washer and nuts to secure - Detail "A". Clamps should be facing the outside of the frame, and posts with 2 clamps at non-egress end of frame.
- ▶ Install upper and mid rails "4", "3" and "8" into the post clamps using set screws and wrench provided - Detail "B".
- ▶ Add chain by placing hoop(s) over the post(s). Adjust the chain length so that it is snug and straight across using the quick link. Optional self-closing gate installs over the posts, using set screws to secure.
- ▶ Check and tighten all screws and nuts.

**Operation & Maintenance:** Fasten and tighten all screws and nuts so tight. Operate gate (optional) to verify self closing spring in-

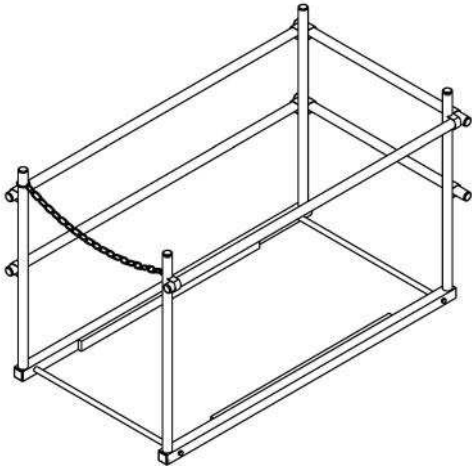
 JL INDUSTRIES	 CONSTRUCTION PRODUCTS GROUP	<p><b>SAF-T-HATCH ROOFTOP SAFETY RAILING INSTALLATION INSTRUCTIONS.</b></p> <p>CALL 800-554-6077 WITH QUESTIONS  <a href="#">SEE SEPARATE INSTRUCTIONS FOR COMBINATION UNIT RHG-STH</a></p>
HEADQUARTERS: 9702 NEWTON AV S, BLOOMINGTON, MN 55431 PH: 800-554-6077 FAX: 952-835-2218 EMAIL: SALES@ACTIVARCPG.COM WWW.ACTIVARCPG.COM MANUFACTURING: COMMERCE, CA & BLOOMINGTON MN ACPG WAREHOUSES: LANCASTER PA, ATLANTA GA , CHICAGO IL, SEATTLE WA, DALLAS TX, OMAHA NE, FARGO ND, FT MYERS FL 4/2/2018		



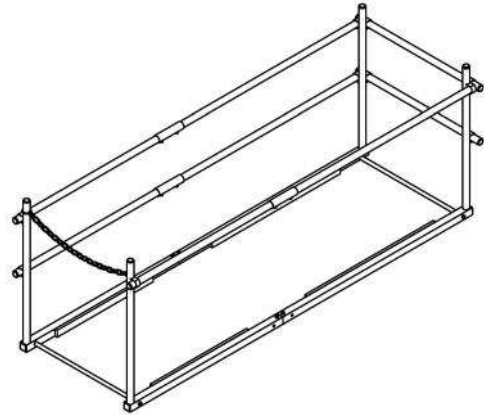
**SHWC-3036: Ladder Access Saf-T Railing**



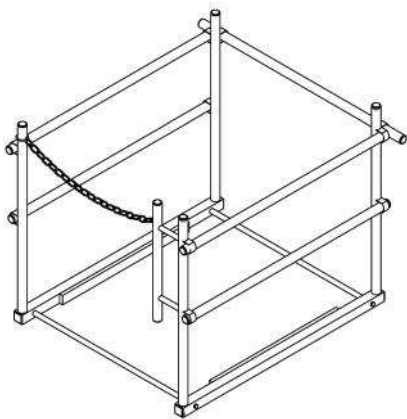
**SHG-2436: Gate (optional)**  
Attaches to 1.66"OD diameter post



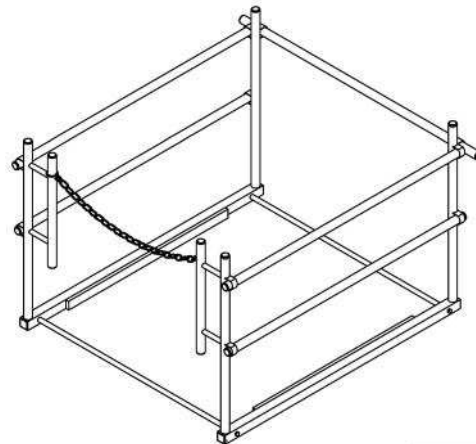
**SHWC-3054: Ships Stair Access Saf-T Railing**  
Door to Open Against Side with 1 Rail.



**SHWC-3096: Service Stair Saf-T Railing**  
Couplers Attach Rails Midspan.  
Door to Open Against Side with 1 Rail.



**SHWC-3636: Ladder Access Saf-T Railing**  
Comes standard with one(1) grab bar



**SHWC-4848 Ladder Access Saf-T Railing**  
Comes standard with two(2) grab bars