

## SUBMITTAL: SECURITY/DETENTION FIRE EXTINGUISHER, VALVE AND HOSE CABINETS

JL security and detention cabinets for fire extinguishers, fire hoses or fire department valves are constructed to meet maximum security requirements in areas where fire protection is required. All recessed models have heavy-duty masonry anchors welded to the frame and a wide selection of lock preps and locks.



**SSFC-31DDPI-17.D**  
Stainless steel, flat trim, with Detention Deadbolt Airteq 5010 Installed



**SFC-11DDPP-17.A**  
Steel, white, Flat trim, with Detention Deadbolt Prep for Airteq 5010

### SPECIFICATIONS:

**Door & Trim:** 12 gauge (0.27 cm) steel with white powder coat finish or 14 gauge #4 satin finish stainless door. Flush cabinet doors are mounted in a 5/8" door stop and attached by a heavy-duty continuous hinge.

**Trim Style & Depth:** 1" wide trim on frame. Recessed with flat trim, Semi-recessed with 2-1/2" deep profile square trim or Surface-mount model with square edge.

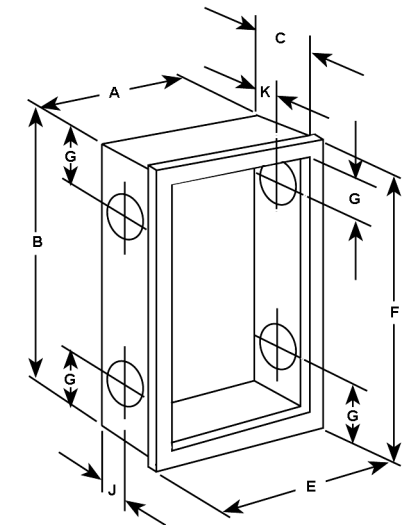
**Tub:** Tubs are the same material and finish as the frame. Heavy duty masonry anchors provided on recessed & semi recessed models. Knockouts provided on recessed models.

**Locks:** See page 2 and 3 for lock and lock prep choices.

**Fire-Rated:** This cabinet is available as fire-rated. See the Security FX Cabinet Submittal.

CABINET DESCRIPTION, SIZE & WALL OPENING TABLE—PLEASE USE SELECTION TABLE ON PAGE 2, TO ORDER												
TRIM & DOOR MATERIAL & SERIES			TUB I.D. W x H x D—inches			WALL OPENING inches			KNOCKOUT LOCATIONS		APPROX SHIP WT	RECOMMENDED HOSE, RACK & EXTINGUISHER
STEEL	STAINLESS	TRIM STYLE	A	B	C	Width	Height	Depth	J	G	lbs	
<b>SECURITY FIRE EXTINGUISHER CABINETS (SFC)</b>												
SFC-11	SSFC-31	Flat Trim	10-3/4	24	7	11-3/4	25	7-1/2	--	--	25	Cosmic & Galaxy
SFC-12	SSFC-32	2-1/2" Square Trim	10-3/4	24	7	11-3/4	25	5	--	--	26	2.5-10, Mercury 2.5-5, Sentinel 5 Extinguisher
SFC-13	SSFC-33	Surface Mount Sq.	13	26-1/2	8	--	--	--	--	--	26	
SFC-15	SSFC-35	Flat Trim (Lg. Tub)	12	27	8-1/2	13	28	9-1/2	--	--	33	Any Cosmic, Galaxy, Mercury,
SFC-16	SSFC-36	2-1/2" Square Trim (Lg. Tub)	12	27	8-1/2	13	28	6-1/2	--	--	34	Saturn 15, Sentinel 5 Extinguisher
SFC-17	SSFC-37	Surface Mount Sq. (Lg. Tub)	14-1/2	29-1/2	10	--	--	--	--	--	34	
<b>SECURITY VALVE CABINETS (SVC)</b>												
SVC-11	SSVC-31	Flat Trim	18	18	8-1/2	19	19	9	5	5	32	1-1/2" or 2-1/2" Fire Department Valve
SVC-12	SSVC-32	2-1/2" Square Trim	18	18	8-1/2	19	19	6-1/2	4-3/4	4-3/4	33	
SVC-13	SSVC-33	Surface Mount Sq.	20-3/4	20-3/4	10	--	--	--	--	--	33	
<b>SECURITY HOSE CABINETS (SHC)</b>												
SHC-11	SSHHC-31	Flat Trim	32-3/4	34-3/4	8	33-3/4	35-3/4	8-1/2	4	4	88	1-1/2" or 2-1/2" Hose Rack, & Extinguisher, or Fire Depart- ment Valve & Extinguisher
SHC-12	SSHHC-32	2-1/2" Square Trim	32-3/4	34-3/4	8	33-3/4	35-3/4	6	4	4	95	
SHC-13	SSHHC-33	Surface Mount Sq.	36-3/4	38-3/4	8	--	--	--	--	--	104	

All Model Numbers Shown in Blue Text meet the 4" ADA projection requirement



<p><b>JL INDUSTRIES</b> 9702 Newton Av S. Bloomington, MN 55431</p>	<p>800-554-6077</p> <p>sales@activarcpg.com</p> <p>www.activarcpg.com</p>	Distributor:	Project:
		Contractor:	Approved By:
	Date:	Quantity:	Architect:
	Scale: N/A	Pages: 1 of 3	Item #

**Select Material, Series, Finish & Trim Style Below - Example SFC-11MCP-02.A.4**

Qty	Material	Series	Finish	Trim Style
<input type="checkbox"/>	S Steel 12ga	<input type="checkbox"/> FC Non-Rated FE Cabinet	<input type="checkbox"/> 1 Powdercoat	<input type="checkbox"/> 1 Flat Square
<input type="checkbox"/>	SS 304 Stainless 14ga		<input type="checkbox"/> 3 #4 Stainless	<input type="checkbox"/> 2 2-½" Square
				<input type="checkbox"/> 3 Surface-mount
				<input type="checkbox"/> 5 Flat Square, Lg. Tub
				<input type="checkbox"/> 6 2½" Square, Lg. Tub
				<input type="checkbox"/> 7 Surface-mount, Lg. Tub
		<input type="checkbox"/> VC Non-Rated Valve Cabinet	<input type="checkbox"/> 1 Powdercoat	<input type="checkbox"/> 1 Flat Square
			<input type="checkbox"/> 3 #4 Stainless	<input type="checkbox"/> 2 2-½" Square
				<input type="checkbox"/> 3 Surface-mount
		<input type="checkbox"/> HC Non-Rated Hose Cabinet	<input type="checkbox"/> 1 Powdercoat	<input type="checkbox"/> 1 Flat Square
			<input type="checkbox"/> 3 #4 Stainless	<input type="checkbox"/> 2 2-½" Square
				<input type="checkbox"/> 3 Surface-mount

**Select Lock Type & Prep, Finish Color, Silkscreen or Engraved Lettering**

Lock Type		
<input type="checkbox"/>	<b>MCP</b>	Prepped for Cylinder Lock
<input type="checkbox"/>	<b>MCP-02</b>	Mortise Cam Latch Installed- Kaba Ilco Cylinder Lock w/Std Cam Other: Model & Mfg: _____
<input type="checkbox"/>	<b>MDP</b>	Prepped for Cylinder Lock
<input type="checkbox"/>	<b>MDP-03</b>	Mortise Deadbolt Installed- Kaba Ilco Cylinder Lock w/Adams Rite Cam
<input type="checkbox"/>	<b>MDP-07</b>	Mortise Deadbolt Installed- Temporary Construction Core Best Cylinder w/Std Cam Other: Model & Mfg: _____
<input type="checkbox"/>	<b>DSPP-25</b>	Prepped for Airteq 5017 Lock
<input type="checkbox"/>	<b>DSPI-25</b>	Detention Slam Lock Installed- Airteq 5017 Lock Other: Model & Mfg: _____
<input type="checkbox"/>	<b>DDPP-17</b>	Prepped for Airteq 5010 Lock
<input type="checkbox"/>	<b>DDPI-17</b>	Detention Deadbolt Installed w Airteq 5010 Lock Other: Model & Mfg: _____
<input type="checkbox"/>	<b>MLPP-19</b>	Mogul Detention Prepped for Airteq Mogul Lock 5010M
<input type="checkbox"/>	<b>MLPI-19</b>	Detention Deadbolt Installed- Airteq Mogul Lock 5010M Other: Model & Mfg: _____

Finish Color	
<input type="checkbox"/>	<b>A</b> White (Std)
<input type="checkbox"/>	<b>B</b> Black
<input type="checkbox"/>	<b>C</b> Red
<input type="checkbox"/>	<b>D</b> Stainless
<input type="checkbox"/>	Other Color

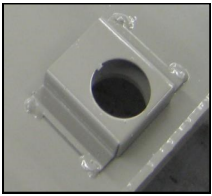
Optional Silkscreen/Engraved Lettering (Stainless—Engraving Only)	
<input type="checkbox"/>	<b>1</b> ENFELVB Engraving, Fire Extinguisher Lettering, Vertical, Black
<input type="checkbox"/>	<b>2</b> ENFELVR Engraving, Fire Extinguisher Lettering, Vertical, Red
<input type="checkbox"/>	<b>3</b> SSFELVB Silk Screen, Fire Extinguisher Lettering, Vertical, Black
<input type="checkbox"/>	<b>4</b> SSFELVR Silk Screen, Fire Extinguisher Lettering, Vertical, Red
<input type="checkbox"/>	<b>5</b> ENFELVW Engraving, Fire Extinguisher Lettering, Vertical, White
<input type="checkbox"/>	<b>6</b> SSFELVW Silk Screen, Fire Extinguisher Lettering, Vertical, White
<input type="checkbox"/>	<b>7</b> SSFELHR Silk Screen, Fire Extinguisher Lettering, Horizontal, Red
<input type="checkbox"/>	<b>8</b> SSFELHB Silk Screen, Fire Extinguisher Lettering, Horizontal, Black
<input type="checkbox"/>	<b>9</b> SSFELHW Silk Screen, Fire Extinguisher Lettering, Horizontal, White

**Note:** For other locks not listed (prepped or installed), manufacturer may require a sample of the lock. See page 3 for more lock details

**Accessories at additional cost, SOLD SEPARATELY (see separate submittal)**

<input type="checkbox"/>	<b>FDVO</b> Decal Fire Department Valve Octagonal 6 x 6"	<input type="checkbox"/>	Black Vertical FE Letters <b>LDCVBFE</b>
<input type="checkbox"/>	<b>1403</b> Decal Fire Hose Black/Red Horizontal Letters 4" x 9"	<input type="checkbox"/>	Red Vertical FE Letters <b>LDCVRFE</b>
<input type="checkbox"/>	<b>LDCHRFDV-R</b> Diecut Fire Dept. Valve Horizontal 10-1/4" x 4-3/8"	<input type="checkbox"/>	White Vertical FE Letters <b>LDCVWFE</b>
<input type="checkbox"/>	<b>LDCVRFDV</b> Diecut Fire Dept Valve Vertical 3/4" x 21½"	<input type="checkbox"/>	Black Horizontal FE Letters <b>LDCHBFE</b>
<input type="checkbox"/>	<b>LDCVRFDV-R</b> Diecut Fire Dept Valve Vertical Reverse 3/4" x 21½"	<input type="checkbox"/>	Red Horizontal FE Letters <b>LDCHRFE</b>
<input type="checkbox"/>	<b>LDCHRFDV</b> Diecut Fire Department Valve Ascending 1" x 17"	<input type="checkbox"/>	White Horizontal FE Letters <b>LDCHWFE</b>
<input type="checkbox"/>	<b>LDCVRFSCV-R</b> Diecut Fire Sprinkler Control Valve Vertical .3/4" x 18"	<input type="checkbox"/>	Custom Engraved or Silkscreen Lettering

(Check Here and Attach Separate Submittal to Order)



**MORTISE CAM LATCH**

**MCP:** Prepped for mortise cylinder lock by others. Cylinder lock must be: 1-1/8" diameter x 1-1/4" long mortise cylinder with standard cam. Cylinders by others require threaded locknut ring.

**MCP-02:** Includes installed mortise cylinder Kaba Ilco 7205SC1, 1-1/8" Dia x 1-1/4" long mortise cylinder with standard cam (PN: 06431), 2 keys (PN: 06431-KEY) and lock nut ring (PN: 0646).

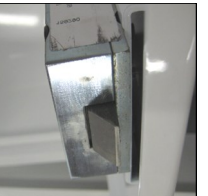
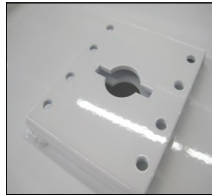


**MORTISE DEADBOLT**

**MDP:** Prepped for mortise deadbolt cylinder lock by others. Cylinder lock must be: 1-1/8" diameter x 1-1/4" long mortise cylinder with Adams Rite cam. Longer lengths require adjustable lock collar (PN: SL-ALC).

**MDP-03:** Includes installed Kaba Ilco 7205SC2, 1-1/8" x 1-1/4" long mortise cylinder with Adams Rite cam (PN: 06441) and includes 2 keys (PN: 06431-KEY).

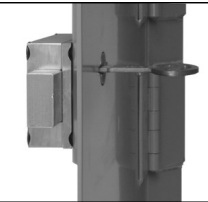
**MDP-07:** Includes installed temporary construction core mortise deadbolt cylinder Best 1E74C181RP3626, 1-1/8" diameter x 1-1/4" long mortise cylinder with C181 Adam Rite cam (PN: SL-1E74). Operation key (PN: 040004) & control key (PN: 040005) to remove the construction core ordered separately.



**DETENTION SLAM LOCK**

**DSPP-25:** Prepped for detention slam lock Airteq 5017 with standard bevel by others.

**DSPI-25:** Includes installed Airteq 5017 medium security for slam-locking with stainless steel latchbolt 1" x 7/16" bolt throw (PN: DDI-5017). Keys sold separately (PN: DDK-5017).



**DETENTION DEADBOLT**

**DDPP-17:** Prepped for detention deadbolt lock Airteq 5010. This mounting also accommodates Southern Folger 1010A.

**DDPI-17:** Includes installed Airteq 5010, medium security deadbolt, with zinc plated steel bolt 1-1/2" x 3/4" and 5/8" bolt throw (PN: DDI-5010). Keys sold separately (PN: DDK-5010).



**DETENTION DEADBOLT MOGUL LOCK**

**MLPP-19:** Prepped for detention deadbolt with mogul cylinder Airteq 5010M.

**MLPI-19:** Includes installed Airteq 5010M medium security deadbolt with mogul key cylinder, zinc plated steel bolt 1-1/2" x 1/2" and 5/8" throw (PN: DDI-5010M). Includes 2 keys (PN: DDK-5010M).

It is the responsibility of the customer to communicate specifications and product performance requirements that are needed for their application. This document is intended to convey potential product configurations and offerings. It is not to be used to imply or represent a specification or rating, of finished products shipped. Detailed, specific submittals can be created upon request. It is the responsibility of the customer to specify product accordingly to comply with local laws, codes, and ordinances.