

SUBMITTAL: MODEL TMW™ FLUSH ACCESS PANEL WITH WALLBOARD BEAD

The Wallboard Bead Model for walls or ceilings eliminates visual distractions by providing a smooth paintable surface with concealed hinge. The wallboard bead provides a tapered way to conceal the rough opening when taped and finished - for an attractive appearance.

SPECIFICATIONS:

Frame: 16 gauge steel with 1-1/4" drywall bead flange that can be taped and finished.

Door Panel: 16 gauge steel with continuous concealed hinge.

Finish: White powder coat paint.

Lock: Flush screwdriver-operated steel cam standard (C).

Sizes: Minimum 6" x 6", Maximum Size Walls - 36" x 48", Ceilings - 36" x 36".

STEP 1: SELECT MODEL FROM PAGE 2 OR ENTER SIZE:

____ For sizes not shown on chart. ____" W x ____" H (See sizes above)

STEP 2: SELECT OTHER FRAME AND DOOR OPTIONS AT ADDITIONAL COST:

- Cold Rolled Steel (TMW)** ___ **H1** 14 gauge door with 16 gauge frame
 ___ **H4** 16 gauge door with 14 gauge frame
 ___ **H14** 14 gauge door with 14 gauge frame
- 304 Stainless Steel (TMWS)** ___ **16 gauge door with 16 gauge frame (standard)**
 ___ **H1** 14 gauge door with 16 gauge frame
 ___ **H4** 16 gauge door with 14 gauge frame
 ___ **H14** 14 gauge door with 14 gauge frame



Standard Cam Latch



STEP 3: SELECT OPTIONAL FEATURES AT ADDITIONAL COST:

- | | |
|--|--|
| <input type="checkbox"/> Optional Color Code: ____ - see Website. & p2
R-Red, BK-Black, S-sand, B-Bronze
FB-Flat Black, AB-AMS Beige,
SB-SC Flat Beige, SI—Silver, G-Gray | <input type="checkbox"/> (M2) Mortise cam lock (06431) installed |
| <input type="checkbox"/> (V) Plexiglass view window | <input type="checkbox"/> (U3) Mortise slam lock prep |
| <input type="checkbox"/> (M) Removable Door (no hinges) | <input type="checkbox"/> (U4) Mortise slam lock (06431) installed |
| <input type="checkbox"/> (K) Gasketing (3 Sides) | <input type="checkbox"/> (B1) Mortise deadbolt prep |
| <input type="checkbox"/> (L) Cylinder lock installed | <input type="checkbox"/> (B2) Mortise deadbolt lock (06441) installed |
| <input type="checkbox"/> (M1) Mortise cam lock prep 1-1/8" Ø 1-1/4" L | <input type="checkbox"/> (C5) Knob cam |
| <input type="checkbox"/> (#0646) Brass Retaining Ring
(may be required for locks by others) | <input type="checkbox"/> (C2) Torx head cam View Lock Options Online |
| <input type="checkbox"/> (L) Louvered vents (attach louver selector page) | <input type="checkbox"/> (C4) Hex head cam |
| | <input type="checkbox"/> (C3) Spanner head cam |
| | <input type="checkbox"/> Other 1-1/8" dia. mortise cylinder by request
Note lock details here: _____ |
| | <input type="checkbox"/> 316 Stainless construction
(Select 304 frame/door above first, then this option) |

Order Format Example: **TMW-2424CW**

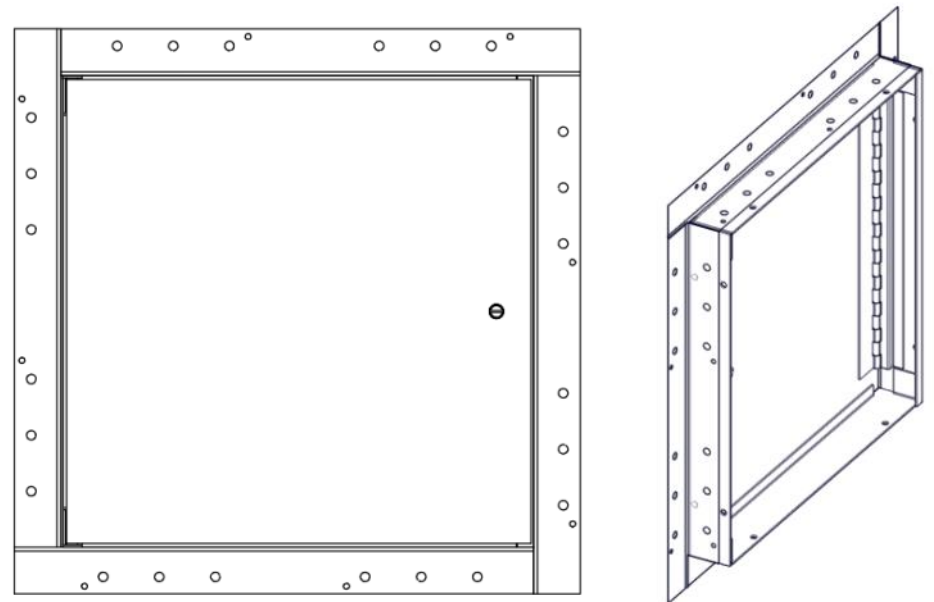
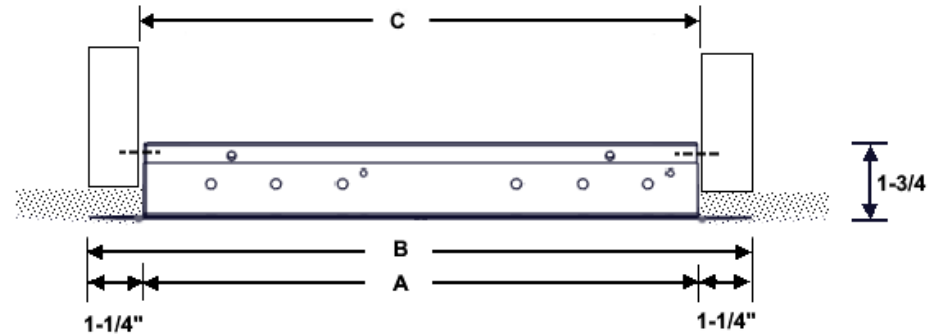
TMW - Width Height Lock (C Std or Optional Lock Code) - Color - Options
TMWS

LATCH AND LOCK OPTIONS					
Mortise Lock (M2) (U4) (B2)	Cylinder Lock (L)	Torx Head Cam (C2)	Spanner Head Cam (C3)	Hex Head Cam (C4)	Knob Cam (C5)

<p>JL INDUSTRIES</p> <p>9702 Newton Av S. Bloomington, MN 55431 Many Locations Nationwide</p>	<p>☎ 800-554-6077</p> <p>✉ sales@activarcpg.com</p> <p>🌐 www.activarcpg.com</p>	Distributor:	Project:
		Contractor:	Approved By:
	Date:	Quantity:	Architect:
	Scale: N/A	Pages: 1 of 2	Item #

SUBMITTAL: MODEL TMW FLUSH ACCESS PANEL WITH WALLBOARD BEAD

QTY	A - MODEL SIZE = DOOR SIZE	B - OUTSIDE FRAME DIMENSIONS IN INCHES		C-WALL OPENING DIMENSIONS FITS ± 1/8" OPENING SIZE		SHIPPING WEIGHT APPROX	LATCH (ES)
	W x H	WIDT H	HEIGHT	WIDTH	HEIGHT		
	8" x 8"	10	10	8-1/2"	8-1/2"	4	1
	10" x 10"	12	12	10-1/2"	10-1/2"	5	1
	12" x 12"	14	14	12-1/2"	12-1/2"	7	1
	14" x 14"	16	16	14-1/2"	14-1/2"	8	1
	16" x 16"	18	18	16-1/2"	16-1/2"	10	1
	18" x 18"	20	20	18-1/2"	18-1/2"	12	3
	22" x 22"	24	24	22-1/2"	22-1/2"	16	4
	22" x 30"	24	32	22-1/2"	30-1/2"	21	4
	24" x 24"	26	26	24-1/2"	24-1/2"	19	4
						TBD	TBD
<p><u>Sizes Not Shown May Be Ordered in 1/4" Increments</u> <u>On Blank Line Above—For Example 16-1/4", 16-1/2" or 16-3/4"</u></p> <p>Minimum 6" x 6", Maximum Size Walls - 36" x 48", Ceilings - 36" x 36"</p>							



W (White)	B (Bronze)	R (Red)	BK (Black)	S (Sand)	AB (AMS Beige)	SB (SC Beige)	G (Gray)	SI (Silver)
-----------	------------	---------	------------	----------	----------------	---------------	----------	-------------

Standard Color for Steel is White, Optional Colors at Additional Cost - Samples Available

It is the responsibility of the customer to communicate specifications and product performance requirements that are needed for their application. This document is intended to convey potential product configurations and offerings. It is not to be used to imply or represent a specification or rating, of finished products shipped. Detailed, specific submittals can be created upon request. It is the responsibility of the customer to specify product accordingly to comply with local laws, codes, and ordinances.