

# GoBoard® Point Drain

## SHOWER SYSTEM



### Time Saving and Versatile Shower System

GoBoard® Point Drain Shower System from Johns Manville is a time saving versatile shower system that offers easy to do on-site shower pan customization.

**The GoBoard® Point Drain Shower System Includes:**

- GoBoard - 1/2" or 5/8" panels for walls and ceiling.
- GoBoard Point Drain Kit - Drain cover assembly, pre-assembled drain, mixing valve seal, pipe collar, clamping collar screws, and a 2" plastic putty knife.
- GoBoard Wedges - Each is 4'x4'. Four Wedges are needed for most shower pan sizes.
- GoBoard Curb - 3 1/2" H x 2 1/2" W x 48" L
- GoBoard Sealant - Skins over quickly for a waterproof assembly.



*The Shower System accomodates all types of shower areas and offset drain locations.*



**FAST INSTALLATION:** When using GoBoard Point Drain kit and sloped GoBoard Wedges, there is no need to wait for specially sized pans. Take a break and tile the same day. Grout the next day and the project is done\*.



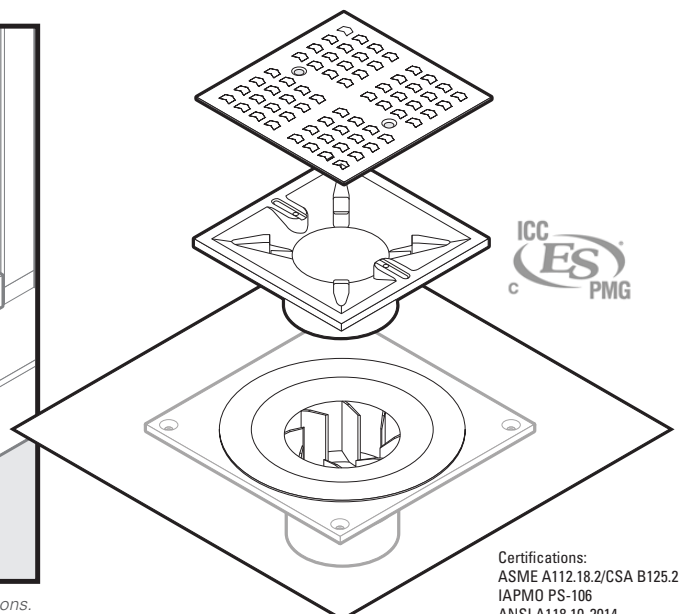
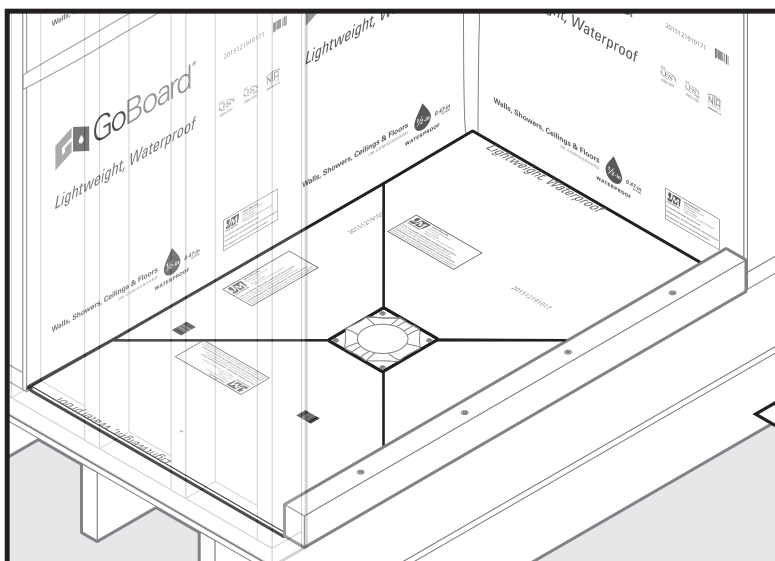
**EASY TO CUT, HANDLE & INSTALL:** GoBoard Wedge and GoBoard Curb can be quickly cut right where it's installed with a basic utility knife without crumbling or disintegrating.



**ULTRA-LIGHTWEIGHT:** Engineered for durability even though it's ultra-lightweight. The GoBoard Shower System can be installed in residential tile applications.



**WATERPROOF BUILT-IN:** GoBoard Shower System saves time and money because you seal only the board joints and fastener locations for a waterproof tile assembly\*\*.

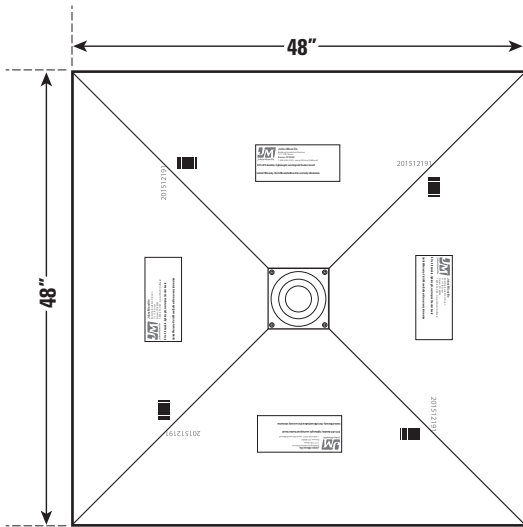


\*A typical shower project, waterproof installation, following manufacturer's installation instructions.  
 \*\*Board joints and fastener locations require a waterproof sealant per GoBoard installation instructions.

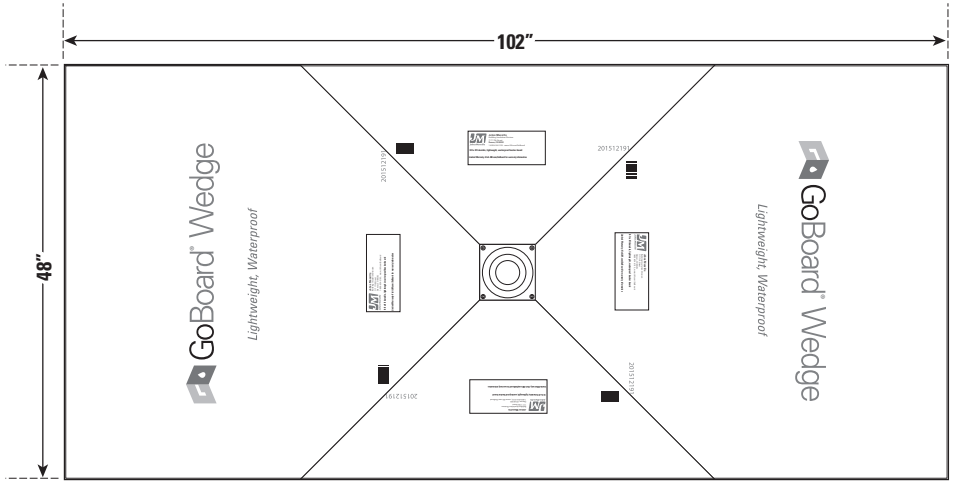
Certifications:  
 ASME A112.18.2/CSA B125.2  
 IAPMO PS-106  
 ANSI A118.10-2014  
 ICC-ES E-1000

# Infinite Design Possibilities Using GoBoard® Wedge and Curb

## Recommended Layouts\*

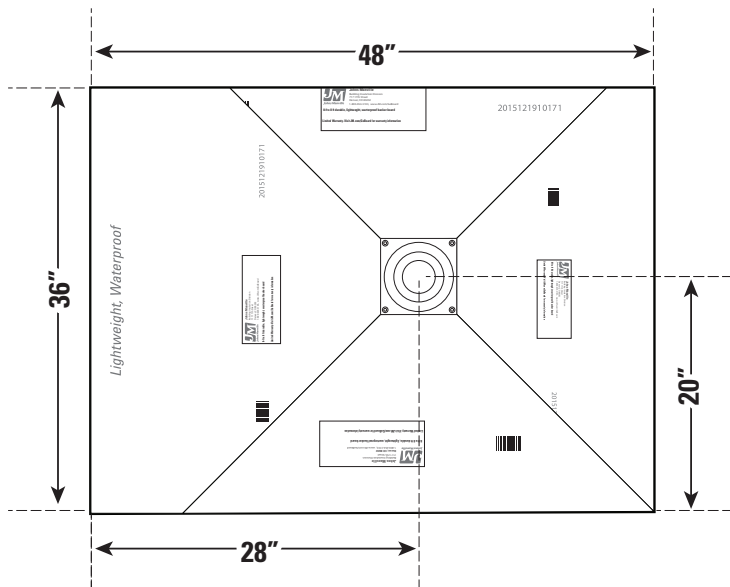


Maximum square shower pan area using four 48" x 48" GoBoard Wedges

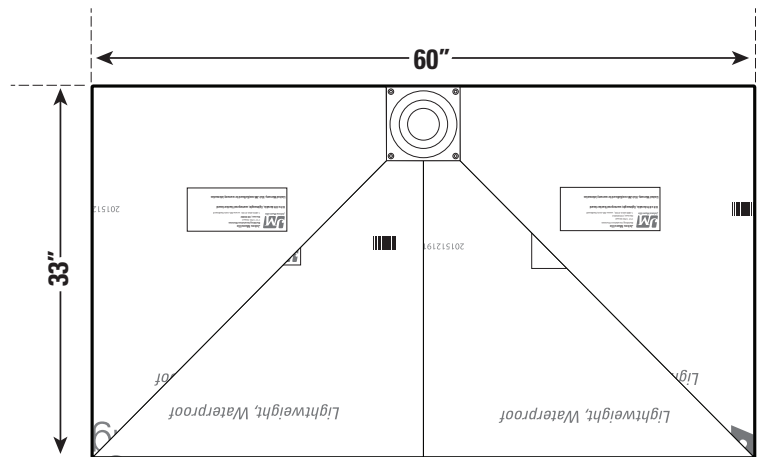


Maximum rectangular shower pan area using four 48" x 48" GoBoard Wedges

*GoBoard® Wedge and Curb are manufactured using the same process and raw materials as GoBoard® Tile Backer so installers can expect the same level of performance.*



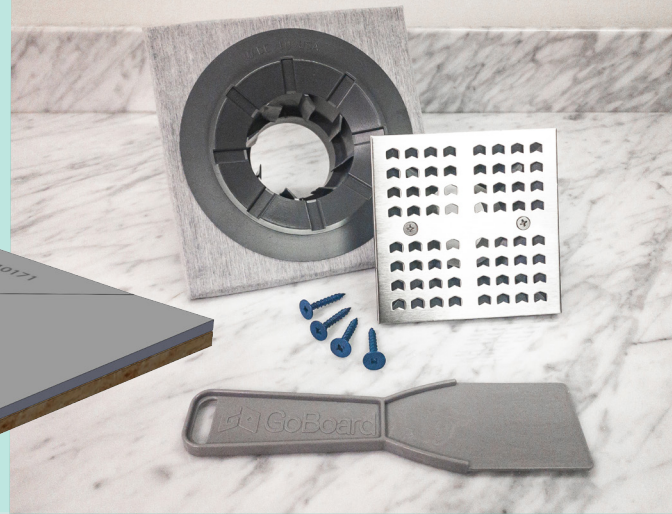
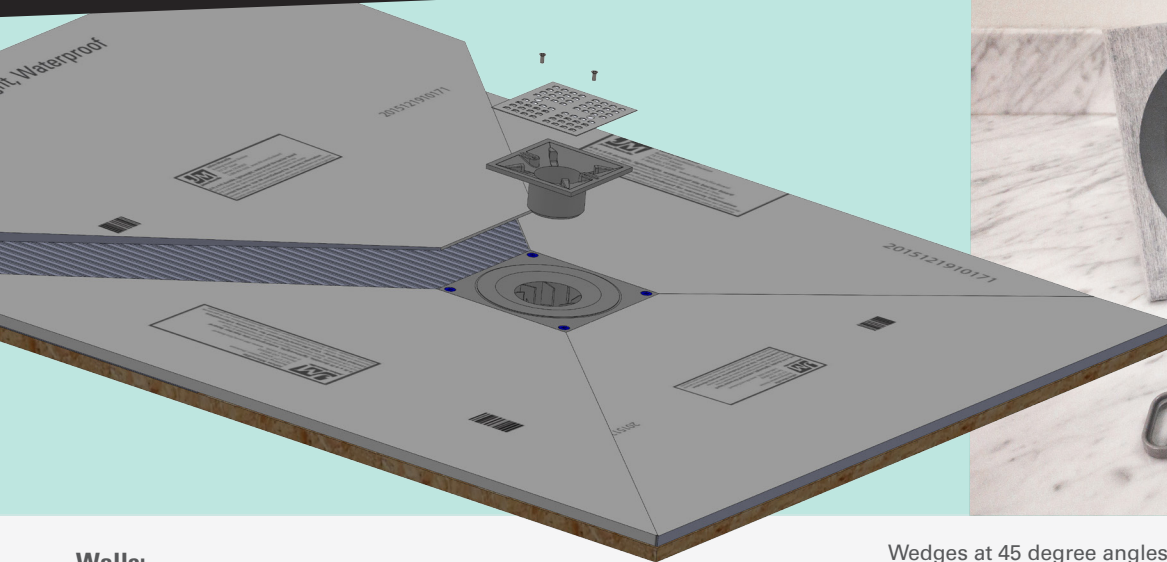
Offset drain location shower pan area using four 48" x 48" GoBoard Wedges



Curbless tub to shower conversion using four 48" x 48" GoBoard Wedges

\*Shower pan areas referenced above do not include GoBoard Curb. See detailed GoBoard Point Drain Shower System Installation Instructions for more configurations.

# Quick Start Installation, Required Materials and Technical Information\*



## Walls:

- Install 1/2" (or 5/8") GoBoard to wall studs using GoBoard Fasteners. Fill all gaps with GoBoard Sealant.

## Installing Drain Assembly:

- Fasten to subfloor with provided screws and glue to waste pipe.\*\*

## Shower Pipe:

- Install valve seal (G) and pipe seal (H) using GoBoard Sealant.

## Curb:

- Measure distance between walls then cut the GoBoard Curb to required length. Use additional curbs if width is greater than 48"
- Apply beads of GoBoard Sealant to GoBoard Curb location on subfloor, wall, and curb. Fully embed the Curb(s), then seal all joints using GoBoard Sealant.

## Wedges:

- Measure distances between clamping collar (C) and each edge of the shower pan area accounting for 1/8" gaps.
- Cut GoBoard Wedges into rectangles, each to fit the dimensions between the clamping collar and the edges of the shower pan.
- With the thin edge of the GoBoard Wedges facing the drain, cut the

Wedges at 45 degree angles from the center of the Point Drain, using the clamping collar (C) corners as reference points.

- Dry fit GoBoard Wedges to ensure required 1/8" joint gaps, then apply thinset mortar to subfloor with 1/4" x 1/4" square or 3/16" V notched trowel. Press Wedges firmly into mortar and seal all joints using GoBoard Sealant.

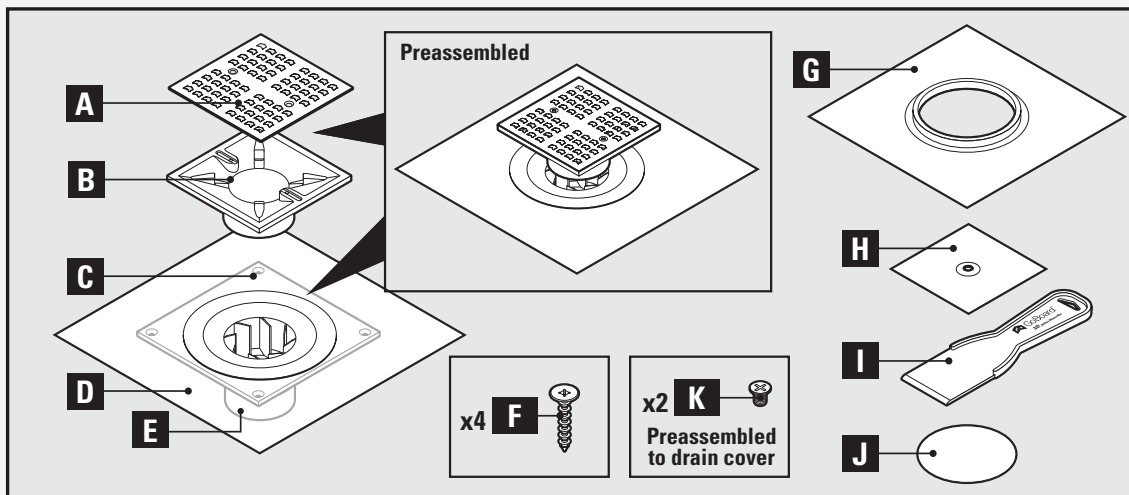
## Complete the Point Drain Installation:

- To adhere membrane to the Wedge panels, apply Sealant on top of the clamping collar.
- Using a putty knife on top of the unfolded membrane, spread the Sealant evenly underneath, moving from the center towards the edges.
- Spread the excess Sealant around the perimeter of the membrane, then apply Sealant around the perimeter of the PVC drain flange.

## Tiling Around the Drain Cover:

- After preparing to tile, using a putty knife, pack thinset mortar underneath drain cover assembly (A) and (B).
- Install tile around the drain. Using a rubber mallet, gently level the drain cover assembly with the surrounding tile if needed.

## Parts and Hardware Included in Point Drain Kit:



- A. Drain Cover
- B. Drain Riser
- C. Clamping Collar
- D. Membrane
- E. PVC Drain Body
- F. Clamping Collar Screws
- G. Mixing Valve Seal
- H. Waterproof Pipe Seal
- I. 2" Plastic Putty Knife
- J. 4" Round Tape Dot
- K. Drain Cover Screws

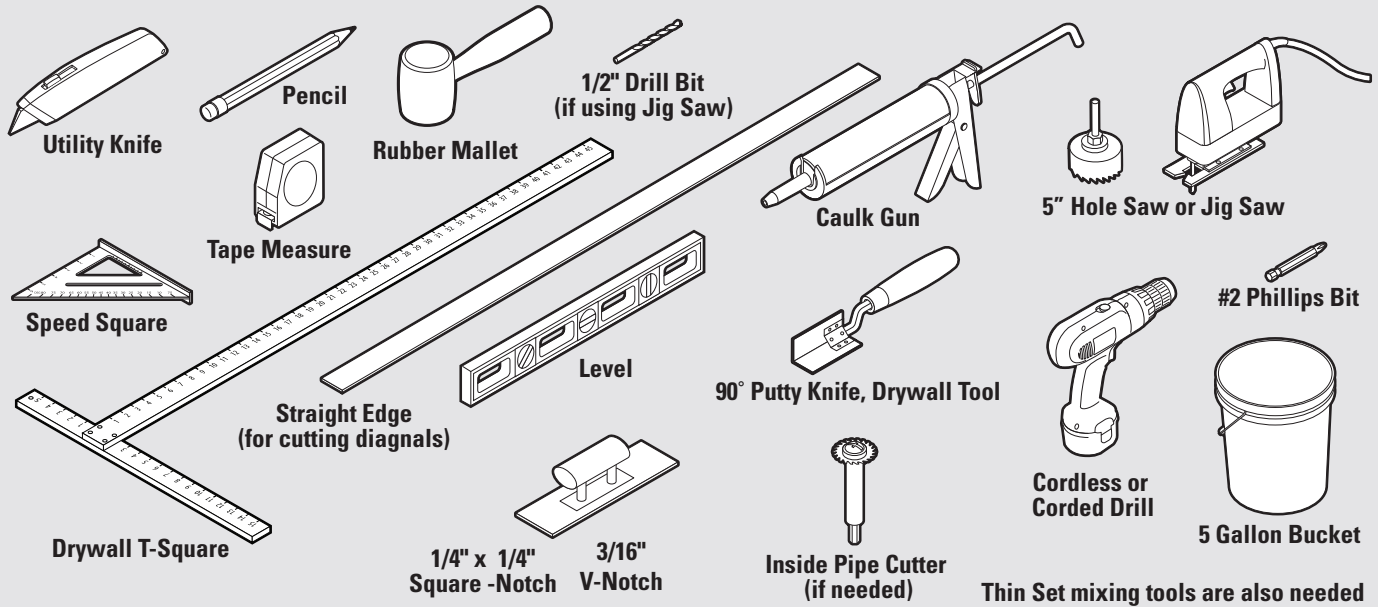
\*Refer to the detailed GoBoard Point Drain Shower System Installation Instructions  
 \*\*Use PVC primer and solvent cement. If using ABS waste pipe (black) consult a plumber

# Quick Start Installation, Required Materials and Technical Information\*

## Materials Needed Sold Separately:

- Four GoBoard Wedges, 1/2" GoBoard Tile Backer panels, GoBoard Curb (3.5" H x 2.5" W x 48" L), GoBoard Fasteners and or Washers, thinset mortar, PVC primer, and solvent cement.

## Recommended Tools:



## Technical Data

Property	Method	GoBoard® (1/4")	GoBoard® (1/2")	GoBoard® (5/8")	GoBoard® (1", 1 1/2", 2")	Wedge (1/8" - 1 1/8")	Curb (1", 1 1/2", 2")
Dimensions (feet)	ASTM C473	3'x5, 4'x8'	3'x5, 4'x8'	4'x8'	4'x8'	4'x4'	4'x8'
Thickness (inches)	ASTM C473	0.26	0.47	0.60	1.0, 1.5, 2.0	0.60	1.0, 1.5, 2.0, 2.5
Board Weight (lbs/ft <sup>2</sup> )		0.40	0.50	0.58	0.62, 0.81, 1.0	0.58	0.62, 0.81, 1.0, 1.19
R-Value (°F · ft <sup>2</sup> · h/BTU)	ASTM C518	1.2	2.3	2.9	5, 7.5, 10	2.9	5, 7.5, 10, 12.5
Compressive Strength (avg. psi)	ASTM D2394	250	200	200	125	200	125
Moisture Movement (%)	ASTM D1037	<0.07	<0.07	<0.07	<0.07	<0.07	<0.07
Surface Burning Characteristics <sup>1</sup>	ASTM E84	Pass	Pass	Pass	Pass	Pass	Pass
Waterproof	ASTM D4068	Pass <sup>2</sup>	Pass <sup>2</sup>	Pass <sup>2</sup>	Pass <sup>2</sup>	Pass <sup>2</sup>	Pass <sup>3</sup>
WVT Permeance (perms)	ASTM E96	<1	<1	<1	<1	<1	<1
Resistance to Fungi / Bacteria	ASTM G21/G22	No Growth	No Growth	No Growth	No Growth	No Growth	No Growth
Freeze Thaw	ASTM C666	>25	>25	>25	>25	>25	>25
Robinson Floor Test	ASTM C627	Light Commercial	Light Commercial	Residential		Residential	—

<sup>1</sup> Per International Building Code Requirements

<sup>2</sup> ANSI 118.10 certified, <sup>3</sup> pending

\*Visit [www.JM.com/GoBoard](http://www.JM.com/GoBoard) for the complete GoBoard and GoBoard Point Drain Shower System Installation Instructions / Technical Data Sheets, which contains detailed instructions, framing, control joint and subfloor / subsurface requirements, limitations and safety & handling information.

 **GoBoard® Point Drain**  
SHOWER SYSTEM

 **Johns Manville**  
A Berkshire Hathaway Company

**View the Complete Installation  
Instructions / Technical Data Sheet:**  
[www.JM.com/GoBoard](http://www.JM.com/GoBoard)