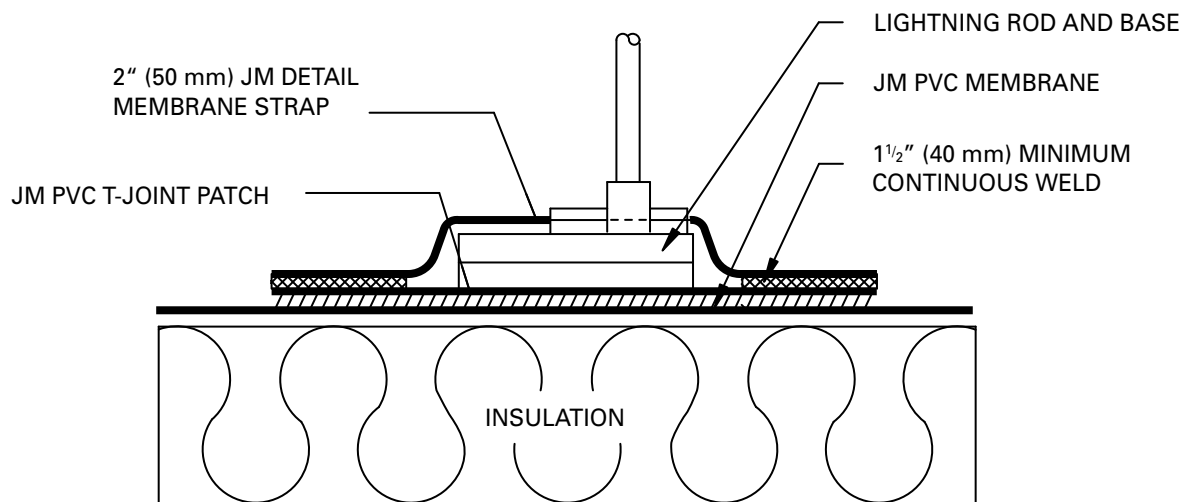
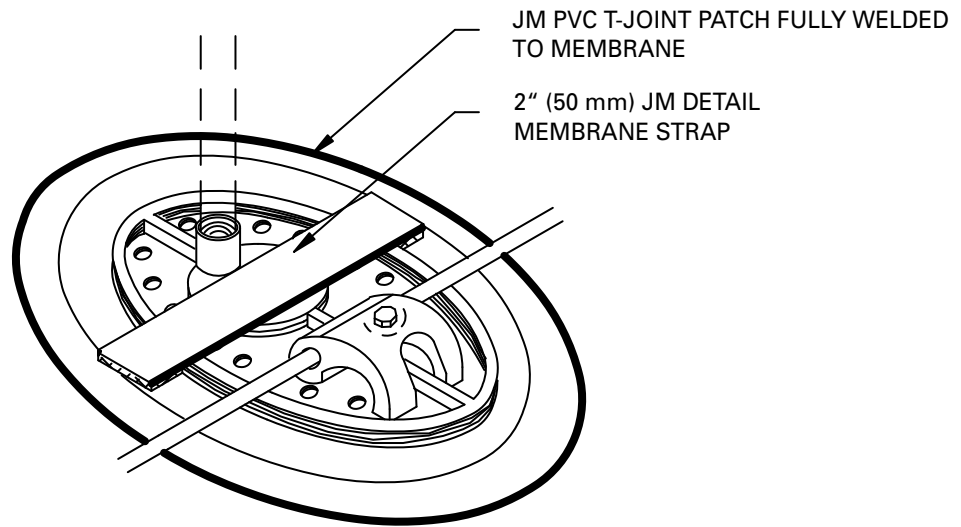


**DETAIL IS NOT GUARANTEEABLE**



**NOTE:**

DETAILS TO BE USED IN CONJUNCTION WITH GUIDE SPECIFICATIONS CONTAINING REQUIREMENTS FOR NAILERS, INSULATION, ETC.

DRAWING NO.

**PM-95**

**LIGHTNING ROD BASE**

SCALE

N.T.S.

ISSUE DATE

3-06

CAD

PV95MEF

