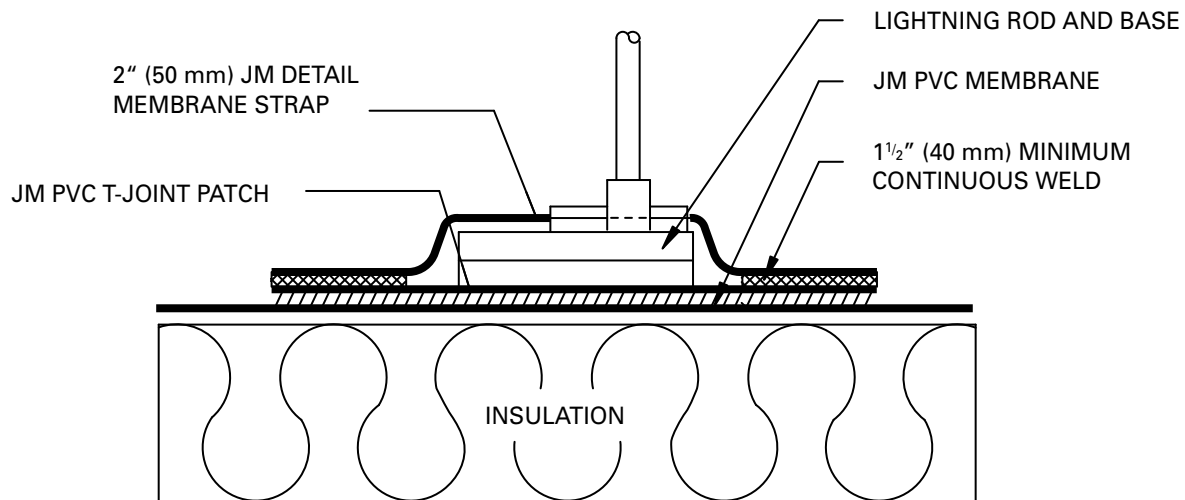
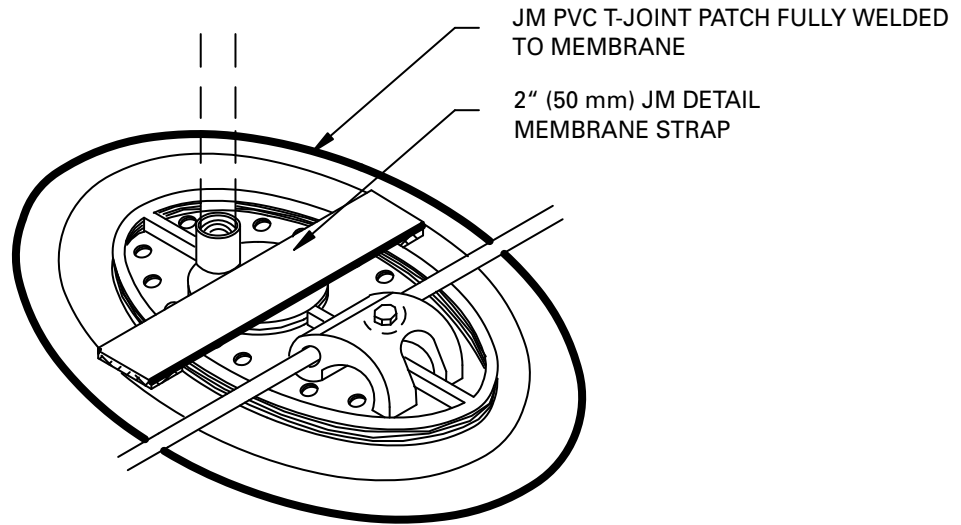


DETAIL IS NOT GUARANTEEABLE



NOTE:

DETAILS TO BE USED IN CONJUNCTION WITH GUIDE SPECIFICATIONS CONTAINING REQUIREMENTS FOR NAILERS, INSULATION, ETC.

DRAWING NO.

PM-95

LIGHTNING ROD BASE

SCALE

N.T.S.

ISSUE DATE

3-06

CAD

PV95MEF

