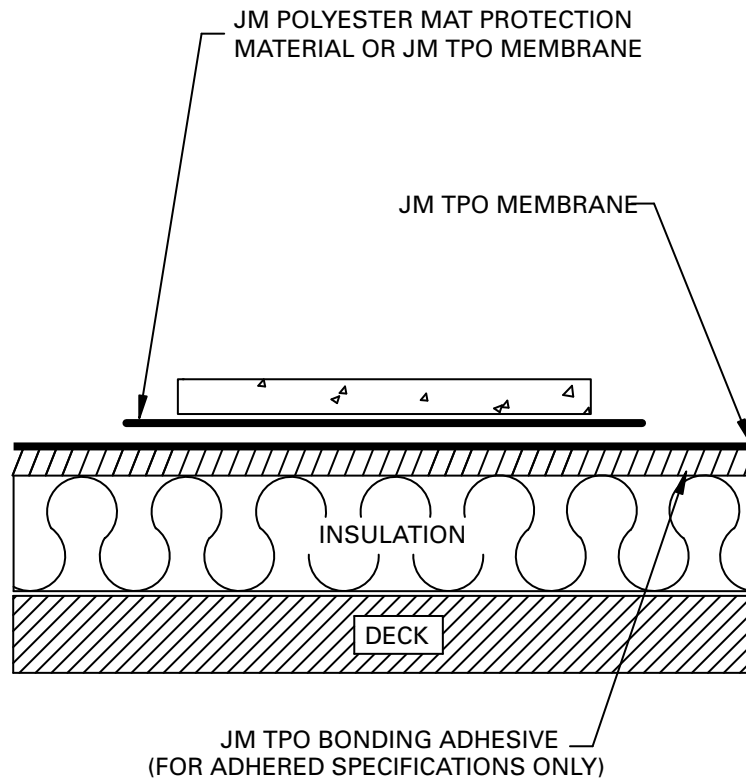



CONCRETE PAVER IS NOT GUARANTEEABLE



NOTE:
 DETAILS TO BE USED IN CONJUNCTION WITH GUIDE SPECIFICATIONS CONTAINING REQUIREMENTS FOR NAILERS, INSULATION, ETC.

DRAWING NO. TM-94	WALKWAY (CONCRETE PAVER)			 Johns Manville
	SCALE N.T.S.	ISSUE DATE 3-06	CAD TPO-8.05	