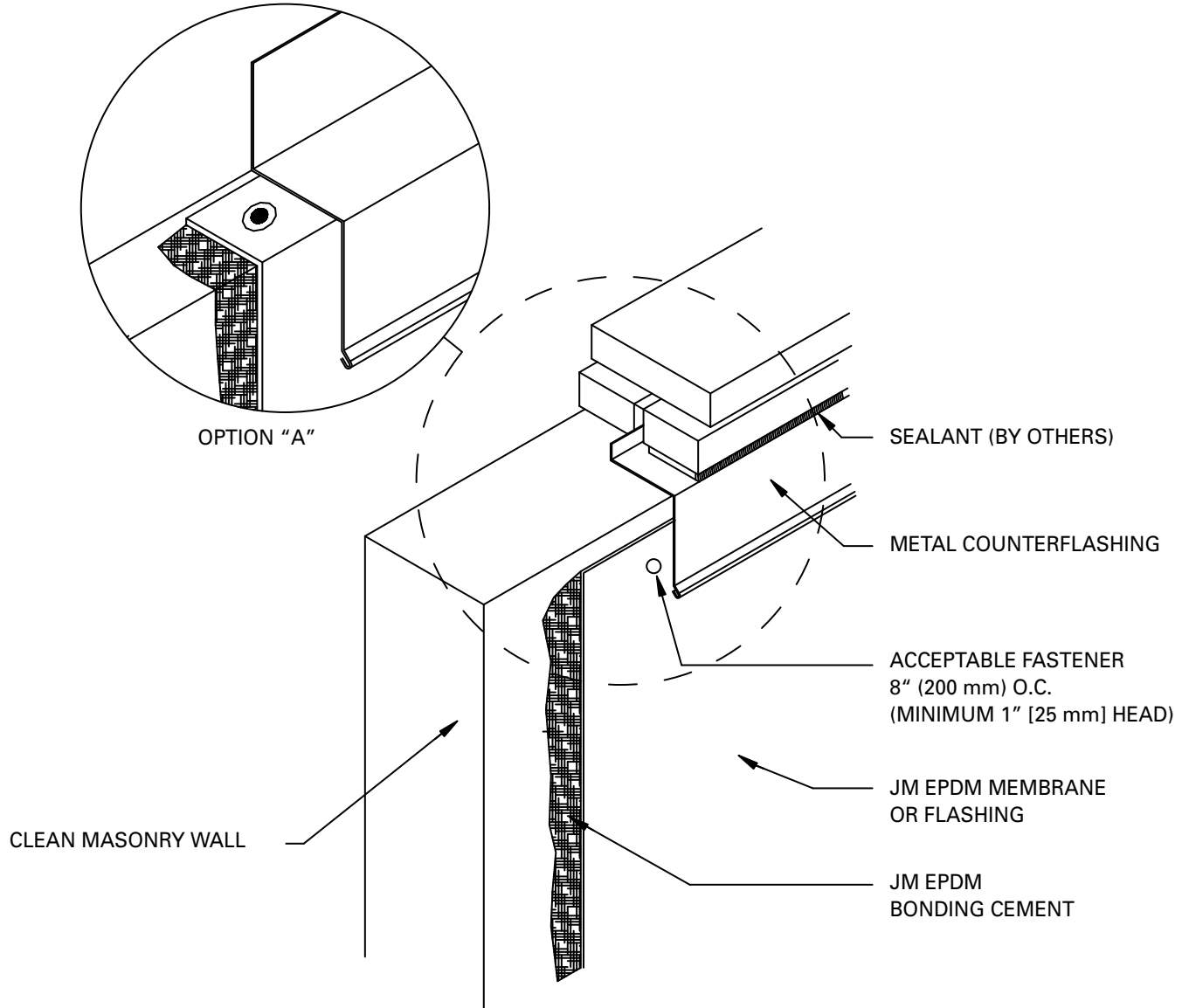


OPTION "A"



DRAWING NO.

EC-3

WALL CAP FLASHING WITH METAL COUNTERFLASHING

SCALE

N.T.S.

ISSUE DATE

3-06

CAD

SP03CAP

